



奥铃（超越）BJ1069VCJEA-A系列车型零部件图册
SPARE PARTS CATALOGUE FOR OLLIN
(SURPASSING) BJ1069VCJEA-A SERIES MODELS

发布日期：2011年9月

ISSUE DATE: SEPTEMBER 2011

北京福田国际贸易有限公司

FOTON INTERNATIONAL TRADE CO.,LTD,BEIJING

前 言 Preface

为便于广大用户了解超越系列产品的构造及零部件装配关系，以使用户在进行汽车维修和保养时参考，编制了本图册。

This catalogue is compiled in order to facilitate users to understand the structures and parts assembly of SURPASSING series products so that reference may be made by users for their vehicle repair and maintenance.

本图册包含了奥铃超越系列不同配置的 6 种车型，其主要技术状态及对应关系如下表所示。

This catalogue includes 6 models of OLLIN SURPASSING series products in different configurations and the major technical data as well as the corresponding relations are listed in the following table.

序号 No.	公告型号 Catalogue Model	整车编号 Vehicle No.	发动机 Engine	变速器 Transmission	前桥 Front axle	后桥 Rear axle
1	BJ1069VCJEA-A	1069VCJEA-0ADA23	1106910000067 (Phaser135Ti)	1106917100015	1106930000028	1106924000013
2	BJ1069VCJEA-A	1069VCJEA-0ADA24	1106910000067 (Phaser135Ti)	1106917100032	1106930000028	1106924000013
3	BJ1069VCJEA-A	1069VCJEA-0ADA25	1106910000067 (Phaser135Ti)	1106917100015	1106930000028	1106924000013
4	BJ1069VCJEA-A	1069VCJEA-0ADA26	1106910000067 (Phaser135Ti)	1106917100032	1106930000028	1106924000013
5	BJ1069VCJEA-A	1069VCJEA-0ADA28	1106910000067 (Phaser135Ti)	1106917100032	1106930000028	1106924000013
6	BJ1069VCJEA-A	1069VCJEA-0ADA30	1106910000067 (Phaser135Ti)	1106917100032	1106930000028	1106924000013

使用本图册时，请注意以下几点：

When using this catalogue, please note the following:

1. 用户可根据产品的公告型号、整车编号及产品实际技术状态，查找相应的适用车型代号，然后据此查询零部件名称、代号等信息。
1. Based on catalogue model, vehicle number and product actual technical conditions, users may look for the applicable model number before searching for the corresponding part name and code or other information.
2. 当零部件外形变化不大时，多种车型共用一个图形，但在明细表中列出了不同的零件代号、零件名称和所属总成用量。
2. When the parts do not vary greatly in exterior design, various models may share the same diagram, in the details different part codes, part names and quantity used for assembly are listed.
3. 明细表中如果某车型的某零件的“零件数量”栏为空白的，表示该车型无此零件。
3. If a part of certain model has no "Part Number" in the column that means no such part is used for the model.

4. 零部件序号标注为 1、2、3.....的为一级部件，零部件序号标注为 1.1、1.2、1.3.....为二级部件，其中一级部件 1 由二级部件 1.1、1.2、1.3.....共同组成。
4. Part number labeled as 1,2,3 ... for Grade 1 components, part number labeled as 1.1,1.2,1.3 ... for Grade 2 components, Grade 1 part may be composed by grade parts like 1.1, 1.2,1.3 ...
5. 关于标准件，其代号前标注“GB”的为国家标准件；标注“Q”的为汽车标准件；标注“JB”的为机械行业标准件；标注“HG”的为化工行业标准件。
5. For standard parts, the code is proceeded by the prefix "GB" for national standard parts; "Q" for auto standard parts; "JB" for standard parts for the machinery industry; "HG" for standard parts for the chemical industry.
6. 外协总成中的零部件代号，为该外协厂的零部件代号。
6. Part number for supplier part assembly refers to the code of the supplier.

随着技术进步和发展，奥铃超越系列产品也将不断改进和完善，因而本图册中内容可能与改进后的产品有某些出入，本公司保留不经事前通知而进行设计改进的权利，对此，除再版时予以修订外，恕不另行通知用户，用户因此而造成的损失，本公司不负直接或间接责任。

With technical progress and development, OLLIN SURPASSING series products will also continue to be improved and perfected, and therefore the contents of the catalogue may be different from the improved products and we reserve the right of design improvements without prior notice; in addition, apart from the amendments to the new edition, no separate notice shall be given to users. For any loss resulted to the users therefrom , the company shall not be directly or indirectly responsible.

本图册知识产权及版权归本公司所有，未经本公司许可，任何单位和个人不得翻印、出版，否则，本公司保留依据法律追究责任的权利。

The intellectual property and copyright of the catalogue belong to the company, and without our permission, no unit or individual shall reproduce or publish it. Otherwise, we reserve the right to track out the legal responsibility in accordance to the applicable laws.

北京福田国际贸易有限公司

FOTON INTERNATIONAL TRADE CO., LTD, BEIJING

二〇一一年九月

SEPTEMBER 2011

目 录 Contents

一. 发动机 I .Engine

1S10691000146	发动机总成(气缸体) Engine assy (cylinder block)	2
1S10691000146	发动机总成(气缸体) Engine assy (cylinder block)	3
1S10691000146	发动机总成(气缸盖) Engine assembly (cylinder head)	5
1S10691000146	发动机总成(气缸盖) Engine assembly (cylinder head)	6
1S10691000146	发动机总成(气缸盖罩) Engine assy (cylinder head hood)	8
1S10691000146	发动机总成(润滑油底壳) Engine assembly(lubricating oil pan)	10
1S10691000146	发动机总成(润滑油底壳) Engine assembly(lubricating oil pan)	11
1S10691000146	发动机总成(飞轮壳) Engine assembly(flywheel housing)	13
1S10691000146	发动机总成(飞轮及启动齿圈) Engine assembly(flywheel and starting gear ring)	15
1S10691000146	发动机总成(齿轮驱动辅件传动选用) Engine assembly (Optional gear drive auxiliary parts transmission)	17
1S10691000146	发动机总成(齿轮驱动辅件传动选用) Engine assembly (Optional gear drive auxiliary parts transmission)	18
1S10691000146	发动机总成(齿轮驱动辅件传动选用) Engine assembly (Optional gear drive auxiliary parts transmission)	19
1S10691000146	发动机总成(盖板) Engine assembly(cover plate)	21
1S10691000146	发动机总成(前端驱动输入) Engine assembly(front end driving input)	23
1S10691000146	发动机总成(曲轴 活塞及连杆) Engine assembly(crankshaft, piston and connecting rod)	25
1S10691000146	发动机总成(正时齿轮及凸轮轴) Engine assembly(timing gear and camshaft)	27
1S10691000146	发动机总成(正时齿轮及凸轮轴) Engine assembly(timing gear and camshaft)	28
1S10691000146	发动机总成(摇臂轴) Engine assembly (rocker arm shaft)	30
1S10691000146	发动机总成(呼吸器) Engine assembly(respirator)	32
1S10691000146	发动机总成(进、排气歧管)-1 Engine assembly(air inlet and exhaust manifold)-1	34
1S10691000146	发动机总成(进、排气歧管)-2 Engine assembly(air inlet and exhaust manifold)-2	36
1S10691000146	发动机总成(进、排气歧管)-2 Engine assembly(air inlet and exhaust manifold)-2	37
1S10691000146	发动机总成(进、排气歧管)-3 Engine assembly(air inlet and exhaust manifold)-3	39
1S10691000146	发动机总成(加热器起动开关) Engine assembly(starting switch of heater)	41
1S10691000146	发动机总成(燃油滤清器及油管) Engine assembly(Fuel filter and oil pipe)	43
1S10691000146	发动机总成(燃油粗滤器) Engine assembly(Primary fuel filter)	45

1S10691000146	发动机总成(燃油喷射系统) Engine assembly(fuel injection system)	47
1S10691000146	发动机总成(燃油喷射系统) Engine assembly(fuel injection system)	48
1S10691000146	发动机总成(油门及停车控制) Engine assembly(throttle and parking control)	50
1S10691000146	发动机总成(温度表及传感器) Engine assembly(thermometer and sensor)	52
1S10691000146	发动机总成(润滑油泵) Engine assembly(lubricating oil pump)	54
1S10691000146	发动机总成(润滑油滤清器)-1 Engine assembly(lubricating oil filter)-1	56
1S10691000146	发动机总成(润滑油滤清器)-2 Engine assembly(lubricating oil filter)-2	58
1S10691000146	发动机总成(润滑油滤清器)-2 Engine assembly(lubricating oil filter)-2	59
1S10691000146	发动机总成(润滑油压开关及油压表) Engine assembly(lubricating oil pressure switch and oil pressure gauge)	61
1S10691000146	发动机总成(水泵及节温器) Engine assembly(water pump and thermostat)	63
1S10691000146	发动机总成(水泵及节温器) Engine assembly(water pump and thermostat)	64
1S10691000146	发动机总成(水出口及入口) Engine assembly(water outlet and inlet)	66
1S10691000146	发动机总成(风扇) Engine assembly(fan)	68
1S10691000146	发动机总成(风扇驱动装置) Engine assembly(fan drive device)	70
1S10691000146	发动机总成(垫及垫片)- (顶部维修组件) Engine assembly (pad and gasket)-(top service component)	72
1S10691000146	发动机总成(垫及垫片)- (底部维修组件) Engine assembly (pad and gasket)-(bottom service component)	74
1S10691000146	发动机总成(支撑) Engine assembly(support)	76
1S10691000146	发动机总成(发动机提升) Engine assembly(engine hoisting)	78
1S10691000146	发动机总成(提升泵) Engine assembly(lifting pump)	80
1S10691000146	发动机总成(交流发电机及发电机) Engine assembly(alternator and generator)	82
1S10691000146	发动机总成(交流发电机及发电机) Engine assembly(alternator and generator)	83
1S10691000146	发动机总成(起动机) Engine assembly (start motor)	85
1S10691010113	动力总成悬置 Power train suspension	87
1S10691010113	动力总成悬置 Power train suspension	88
1S10691100101	燃油系统 Fuel system	90
1S10691100101	燃油系统 Fuel system	91
1S10691100112	燃油系统 Fuel systems	93
1S10691100112	燃油系统 Fuel systems	94
1S10691190103	进气装置 Air intake system	96
1S10691190103	进气装置 Air intake system	97
1S10691200103	排气装置 Exhaust system	99
1S10691200103	排气装置 Exhaust system	100

1S10691300118	冷却系统 Cooling system.....	102
1S10691300118	冷却系统 Cooling system.....	103
二.传动系 II. Power train		
1S10691610103	离合器装置 Clutch device	105
1S10691620119	离合器操纵装置 Clutch control device	107
1S10691620119	离合器操纵装置 Clutch control device	108
1S10431630114	离合操纵机构 Clutch control mechanism.....	110
1S10691710115	变速器(上盖及换档机构) Transmission (upper cover and gearshift).....	113
1S10691710115	变速器(上盖及换档机构) Transmission (upper cover and gearshift).....	114
1S10691710115	变速器(上盖及换档机构) Transmission (upper cover and gearshift).....	115
1S10691710115	变速器(上盖及换档机构) Transmission (upper cover and gearshift).....	116
1S10691710115	变速器(中间轴总成) Transmission(countershaft assy)	118
1S10691710115	变速器(二轴总成) Transmission(Main shaft assy)	120
1S10691710115	变速器(二轴总成) Transmission(Main shaft assy)	121
1S10691710115	变速器(壳体及外围件) Transmission(housing and peripheral parts).....	123
1S10691710115	变速器(壳体及外围件) Transmission(housing and peripheral parts).....	124
1S10691710132	变速器(一轴及离合器壳) Transmission(primary shaft and clutch housing)	126
1S10691710132	变速器(一轴及离合器壳) Transmission(primary shaft and clutch housing)	127
1S10691710132	变速器(上盖及换档机构) Transmission(Upper cover and gearshift)	129
1S10691710132	变速器(上盖及换档机构) Transmission(Upper cover and gearshift)	130
1S10691710132	变速器(上盖及换档机构) Transmission(Upper cover and gearshift)	131
1S10691710132	变速器(上盖及换档机构) Transmission(Upper cover and gearshift)	132
1S10691710132	变速器(中间轴总成) Transmission(countershaft assy)	134
1S10691710132	变速器(二轴总成) Transmission(main shaft assy)	136
1S10691710132	变速器(二轴总成) Transmission(main shaft assy)	137
1S10691710132	变速器(壳体及外围件) Transmission(Housing and peripheral parts)	139
1S10691710132	变速器(壳体及外围件) Transmission(Housing and peripheral parts)	140
1S10691710132	变速器(取力器总成) Transmission(Power take-off assembly)	142
1S10691710132	变速器(取力器总成) Transmission(Power take-off assembly)	143
1S10691720205	变速器操纵机构 Gearbox control mechanism	145
1S10691730206	变速操纵机构 Gearshift control mechanism	147
1S10691740101	取力器操纵 Power takeoff control.....	149

1S10691180104	加速传动装置 Accelerating transmission	151
1S10491170103	加速传动装置（驾驶室部分） Accelerating transmission (Cab part)	153
1S10692200212	传动轴 Drive shaft	155
1S10692400111	后桥 Rear axle	158
1S10692400111	后桥 Rear axle	159
1S10692400111	后桥 Rear axle	160
1S10692400111	后桥 Rear axle	161
1S10692400111	后桥（制动器） Rear axle(brake)	163

三.行驶系 III. Travel system

1S10693000102	前轴 Front axle	166
1S10693000102	前轴 Front axle	167
1S10693000102	前轴 Front axle	168
1S10693000102	前轴 Front axle	169
1S10693110108	车轮及轮胎 Wheels & tires	172
1S10692800130	车架 Frame	174
1S10692800130	车架 Frame	175
1S10692800130	车架 Frame	176
1S10692920109	前悬架 Front suspension	178
1S10692920109	前悬架 Front suspension	179
1S10692950109	后悬架 Rear suspension	181
1S10692950109	后悬架 Rear suspension	182

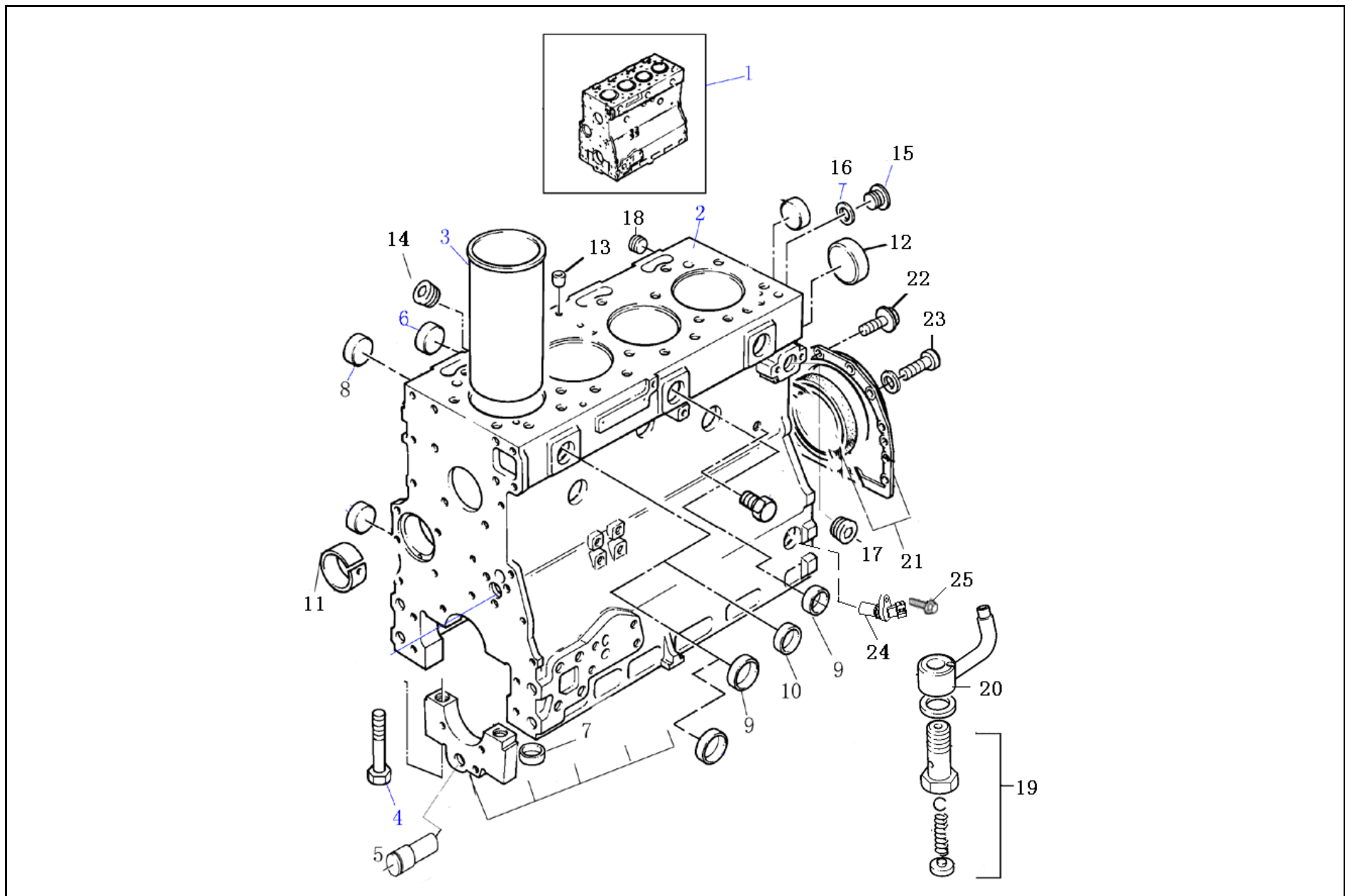
四.转向系和制动系 IV. Steering system and braking system

1S10693400105	转向器及附件 Steering gear and accessories	184
1S10693400105	转向器及附件 Steering gear and accessories	185
1S10493420105	转向传动装置 Steering transmission	188
1S10493420105	转向传动装置 Steering transmission	189
1S10693590101	制动管路（车身） Brake pipeline -(body)	191
1S10693590101	制动管路（车身） Brake pipeline -(body)	192
1S10693560171、1S10693560176	制动管路-底盘部分 Brake pipeline- chassis part	197
1S10693560171、1S10693560176	制动管路-底盘部分 Brake pipeline- chassis part	198
1S10693560171、1S10693560176	制动管路-底盘部分 Brake pipeline- chassis part	199
1S10693560171、1S10693560176	制动管路-底盘部分 Brake pipeline- chassis part	200

1S10693560171、1S10693560176 制动管路-底盘部分 Brake pipeline- chassis part	201
1S10693500103 辅助制动 Auxiliary brake	203
1S10693530201 驻车制动操纵机构 Parking brake control mechanism	205
五. 电器设备 V. Electrical device	
1S10693613001、1S10693613003 蓄电池 Battery	207
1S10693623001、1S10693623049 底盘线束 Chassis harness	209
1S10693623001、1S10693623049 底盘线束 Chassis harness	210
1SB2003740103、1SB2003740150 车身线束 Body harness	212
1SB2003740103、1SB2003740150 车身线束 Body harness	213
1SB2003710101 24V 单排奥铃前围灯具 24V single row front wall lamps of OLLIN	215
1SB2003710101 24V 单排奥铃前围灯具 24V single row front wall lamps of OLLIN	216
1SB2003720101 24V 后围灯具 24V Rear wall lamps	218
1SB2003760132、1SB2003760177 仪表装置 Instrumentation	220
1SB2003760103 仪表装置 Instrumentation	222
1S10693673001 信号装置 Signal device	224
1SB2008120130 冷气装置 Cooler	226
1SB2008120130 冷气装置 Cooler	227
1SB2008110186、1SB2008110187 暖气装置 Heating apparatus	229
1SB2008110186、1SB2008110187 暖气装置 Heating apparatus	230
1SB2005250101 刮水器及洗涤器 Wiper and scrubber	232
1SB2003730105、1SB2003730108 开关 Switch	234
1SB2003730105、1SB2003730108 开关 Switch	235
1S10693663001、1S10693663004 开关及继电器 Switch and relay	237
1SB1803750102、1SB1803750104 继电器 Relay	239
1SB1807910106 标准音响装置 standard acoustic device 1SB1807910102 豪华音响装置 luxury acoustic device	241
1SB1803780104 电器附件 Electrical accessories	243
六. 车身、驾驶室和货箱 VI. Body, cab and cargo body	
1SB2005000181 车身本体 Body shell	245
1SB2005310111 前围附件 Front wall accessories	247
1SB2005310111 前围附件 Front wall accessories	248
1SB2005410123 侧围附件 Side wall accessories	250
1SB2005410123 侧围附件 Side wall accessories	251

1SB2005720101	顶盖附件 Roof accessories.....	253
1SB2005070101	导流装置 Deflector.....	255
1SB1805050117	车身外包装(奥铃出口哥伦比亚) External body packing (OLLIN exported to Colombia.).....	257
1SB2006120102	前侧车门附件 Front door accessories.....	259
1SB2006120102	前侧车门附件 Front door accessories.....	260
1SB2006120102	前侧车门附件 Front door accessories.....	261
1SB2005210101	风窗零部件 Windshield component.....	263
1SB1806140105	玻璃升降机构 Glass Regulator mechanism.....	265
1SB1806150107	门锁 Door lock.....	267
1SB1806150107	门锁 Door lock.....	268
1SB2005350101、1SB2005350103	仪表板 Instrument panel.....	270
1SB2005350101、1SB2005350103	仪表板 Instrument panel.....	271
1SB1808210103	后视镜 rearview mirror 1SB1808240101 遮阳装置 solar protection devices.....	273
1SB1806810105	驾驶员座椅 Driver's seat 1SB2006910102 前排座椅 Front row seat.....	275
1SB1808220101	安全带 Safety belt 1SB1808250101 灭火器 Fire extinguisher.....	277
1SB2005120105、1SB2005120107	地板装饰件 Floor trim.....	279
1SB2005020113	车身翻转及锁止机构 Body turning and locking mechanism.....	282
1SB2005020113	车身翻转及锁止机构 Body turning and locking mechanism.....	283
1S10663150000	备胎架 Spare tire bracket.....	285
1SB2005610102	后围附件 Rear wall accessories.....	287
1SB1808450101	踏脚板 Pedal.....	289
1S10433540103	踏板吊挂 Pedal hanger.....	291
1SB2008430101	车轮挡泥板 Wheel mudguard.....	293
1SB2008430101	车轮挡泥板 Wheel mudguard.....	294
1S10493920003	工具箱 Kits.....	296
1SB2008590035	货箱护栏及附件 Cargo body guard rail and accessories.....	298
1SB2008590035	货箱护栏及附件 Cargo body guard rail and accessories.....	299
1SB2008570112	货箱外包装 Cargo body outside packing.....	301
1S10663910101	随车工具及附件 Vehicle tools and accessories.....	303
1S10493930103	标志牌 Sign board.....	305
1S10493940214	铭牌 Nameplate.....	307

1S10691000146 发动机总成(气缸体) Engine assy (cylinder block)



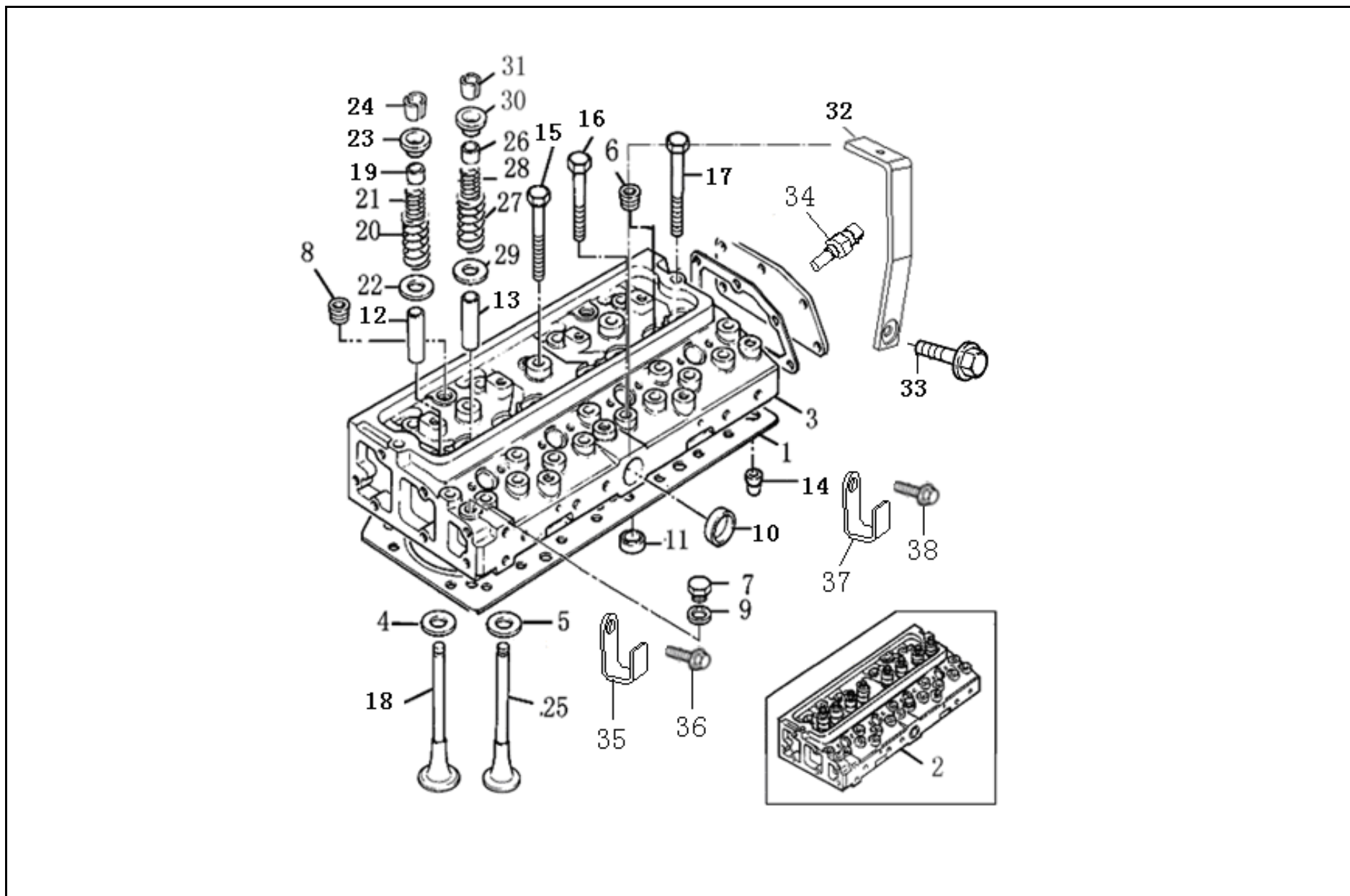
1S10691000146 发动机总成(气缸体) Engine assy (cylinder block)

序号 No.	零件代号 Part No.	零件名称及规格. Part Name and Specification	适用车型及用量 (件) Applied Models and Quantity (Piece)						
			用量 Qty.	车型 Models	用量 Qty.	车型 Model	用量 Qty.	车型 Model	
	1S10691000146	发动机总成	Engine assembly	1					
1	TZZ50265	机体 (总成)	Engine body(assembly)	1					
2	T3711H121	机体	Engine body	1					
3	T3135X062	缸套	Cylinder liner	4					
4	T32166329	大瓦螺栓	Big bearing bolt	10					
5	T3271H004A	惰轮轴	Idler shaft	1					
6	T3774A004	挺杆腔堵	Tappet plug	4					
7	T33142111	定位套	Locating sleeve	10					
8	T32418122	碗堵	Bowl plug	6					
9	T0650710	碗堵	Bowl plug	6	1069VCJEA-0ADA23				
10	T32418124	碗堵	Bowl plug	1	1069VCJEA-0ADA24				
11	T31134165	衬套	Bushing	1	1069VCJEA-0ADA25				
12	T32416119	堵	Plug	1	1069VCJEA-0ADA26				
13	T32417134	堵	Plug	1	1069VCJEA-0ADA28				
14	T64404002	堵	Plug	1	1069VCJEA-0ADA30				
15	T32168212	堵	Plug	1					
16	T72101002	垫圈	Washer	1					
17	T0650588	堵	Plug	1					
18	T0650588	堵	Plug	1					
19	T4138A017	冷却喷嘴阀	Cooling nozzle	4					
20	T3861A027	冷却喷嘴	Cooling nozzle	4					

1S10691000146 发动机总成(气缸体) Engine assy (cylinder block)

序号 No.	零件代号 Part No.	零件名称及规格. Part Name and Specification	适用车型及用量 (件) Applied Models and Quantity (Piece)					
			用量 Qty.	车型 Models	用量 Qty.	车型 Model	用量 Qty.	车型 Model
21	T2418F701	后油封	1	1069VCJEA-0ADA23 1069VCJEA-0ADA24 1069VCJEA-0ADA25 1069VCJEA-0ADA26 1069VCJEA-0ADA28 1069VCJEA-0ADA30				
22	T3211C002	螺栓	6					
23	T3211C002	螺栓	4					

1S10691000146 发动机总成(气缸盖) Engine assembly (cylinder head)



1S10691000146 发动机总成(气缸盖) Engine assembly (cylinder head)

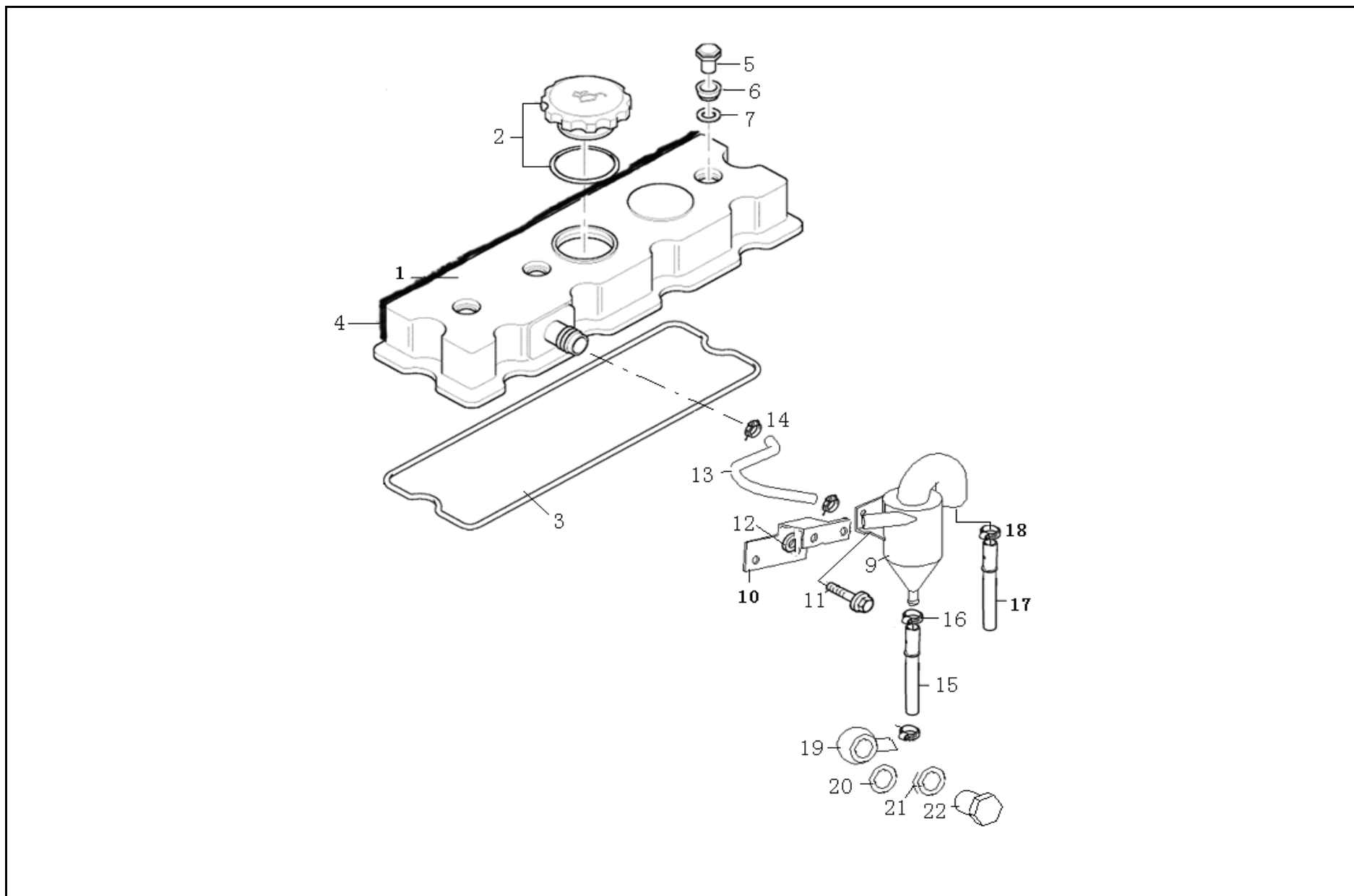
序号 No.	零件代号 Part No.	零件名称及规格. Part Name and Specification	适用车型及用量 (件) Applied Models and Quantity (Piece)						
			用量 Qty.	车型 Models	用量 Qty.	车型 Model	用量 Qty.	车型 Model	
	1S10691000146	发动机总成	Engine assembly	1					
1	T72505008	缸盖垫	Cylinder head gasket	1					
2	TZZ80221	缸盖 (总成)	Cylinder head assembly	1					
3	T3712H074	包括: 缸盖	Include:cylinder head	1					
4	T3324E003	进气阀座	Intake valve seat	4					
5	T3314A122	排气阀座	Exhaust valve seat	4					
6	T0650586	堵	Plug	4					
7	T0650203	堵	Plug	1					
8	T2431154	堵	Plug	2					
9	T2411157	垫圈	Washer	1	1069VCJEA-0ADA23				
10	T0650710	碗堵	Bowl plug	1	1069VCJEA-0ADA24				
11	T32417121	出沙孔堵	Sand hole plug	4	1069VCJEA-0ADA25				
12	T3343F041A	进气门导管	Intake valve guide	4	1069VCJEA-0ADA26				
13	T3343J021A	排气门导管	Exhaust valve guide	4	1069VCJEA-0ADA28				
14	T2114A046	定位销	Locating pin	2	1069VCJEA-0ADA30				
15	T32166219	螺栓	Bolt	8					
16	T32166221	螺栓	Bolt	12					
17	T32166222	螺栓	Bolt	2					
18	T3142L072	进气门	Intake valve	4					
19	T33817117B	密封圈	Sealing ring	4					
20	T31745122	进气门外弹簧	Intake valve spring	4					

1S10691000146 发动机总成(气缸盖) Engine assembly (cylinder head)

序号 No.	零件代号 Part No.	零件名称及规格.	Part Name and Specification	适用车型及用量 (件) Applied Models and Quantity (Piece)					
				用量 Qty.	车型 Models	用量 Qty.	车型 Model	用量 Qty.	车型 Model
21	T31744133	进气门内弹簧	Intake valve spring	4	1069VCJEA-0ADA23 1069VCJEA-0ADA24 1069VCJEA-0ADA25 1069VCJEA-0ADA26 1069VCJEA-0ADA28 1069VCJEA-0ADA30				
22	T33415118	垫圈	Washer	4					
23	T33424107	进气门阀盖	Intake valve cover	4					
24	T33173108	进气门锁夹	Lock clamp of intake valve	8					
25	T3142A051	排气门	Exhaust valve	4					
26	T33817117B	密封圈	Sealing ring	4					
27	T31745122	排气门外弹簧	Valve outer spring	4					
28	T31744133	排气门内弹簧	Exhaust valve inner spring	4					
29	T33415118	垫圈	Washer	4					
30	T33424107	排气门阀盖	Exhaust valve cover	4					
31	T33173108	排气门锁夹	Lock clamp of exhaust valve	8					



1S10691000146 发动机总成(气缸盖罩) Engine assy (cylinder head hood)

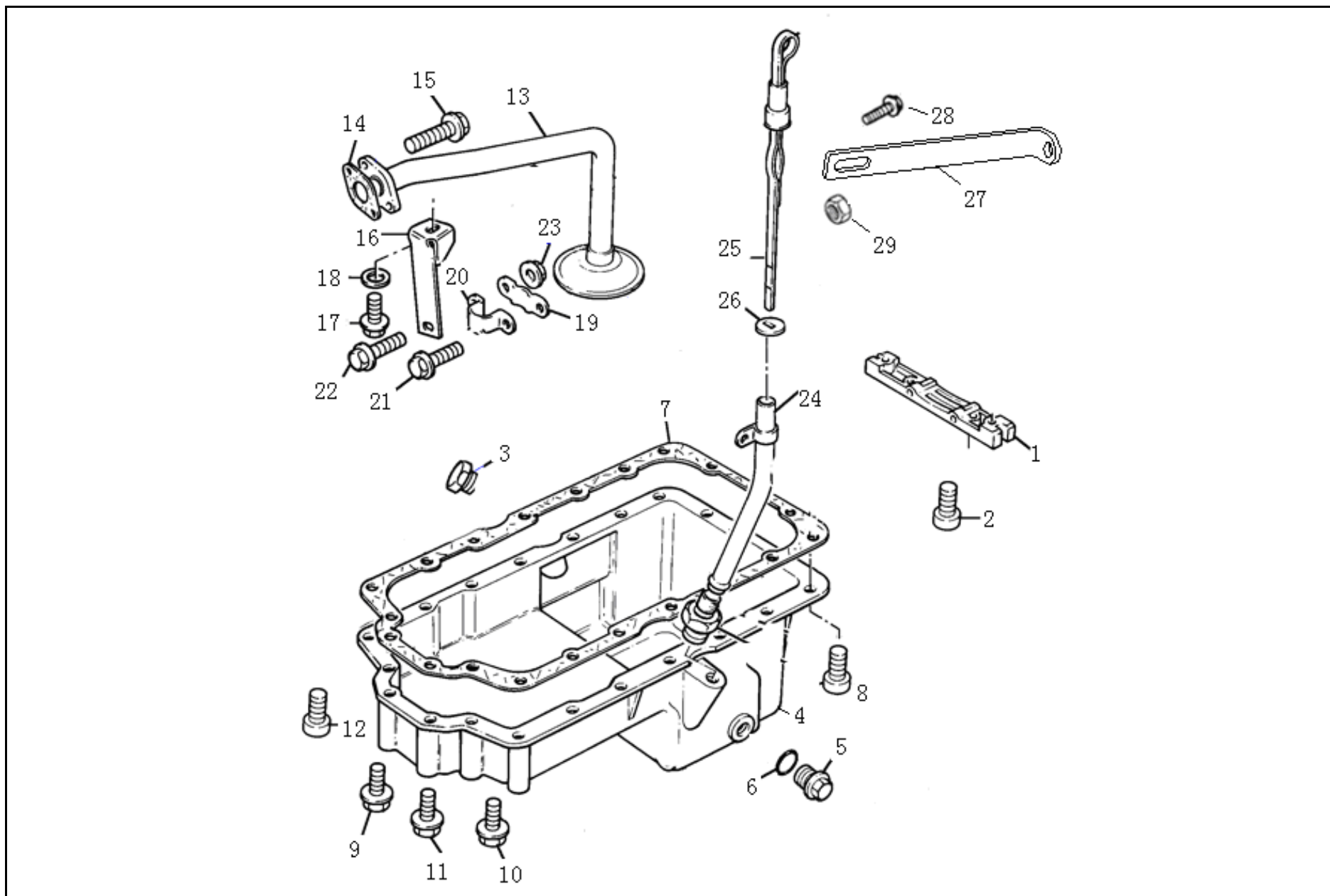


1S10691000146 发动机总成(气缸盖罩) Engine assy (cylinder head hood)

序号 No.	零件代号 Part No.	零件名称及规格. Part Name and Specification	适用车型及用量 (件) Applied Models and Quantity (Piece)						
			用量 Qty.	车型 Models	用量 Qty.	车型 Model	用量 Qty.	车型 Model	
	1S10691000146	发动机总成	Engine assembly	1					
1	T4142X046E	缸盖罩	Cylinder head cover	1					
2	T3781A003	加油口盖	Filler cap	1					
	T3781J002	O型圈	O-ring	1					
3	T3681A021A	缸盖罩垫	Cylinder head hood pad	1					
4	T3687A507A	防尘条	Dust strip	1					
5	T3274A003	螺母	Nut	3					
6	T0920009	垫圈	Washer	3					
7	T33817135	密封圈	Sealing ring	3					
					1069VCJEA-0ADA23				
					1069VCJEA-0ADA24				
					1069VCJEA-0ADA25				
					1069VCJEA-0ADA26				
					1069VCJEA-0ADA28				
					1069VCJEA-0ADA30				



1S10691000146 发动机总成(润滑油底壳) Engine assembly(lubricating oil pan)



1S10691000146 发动机总成(润滑油底壳) Engine assembly(lubricating oil pan)

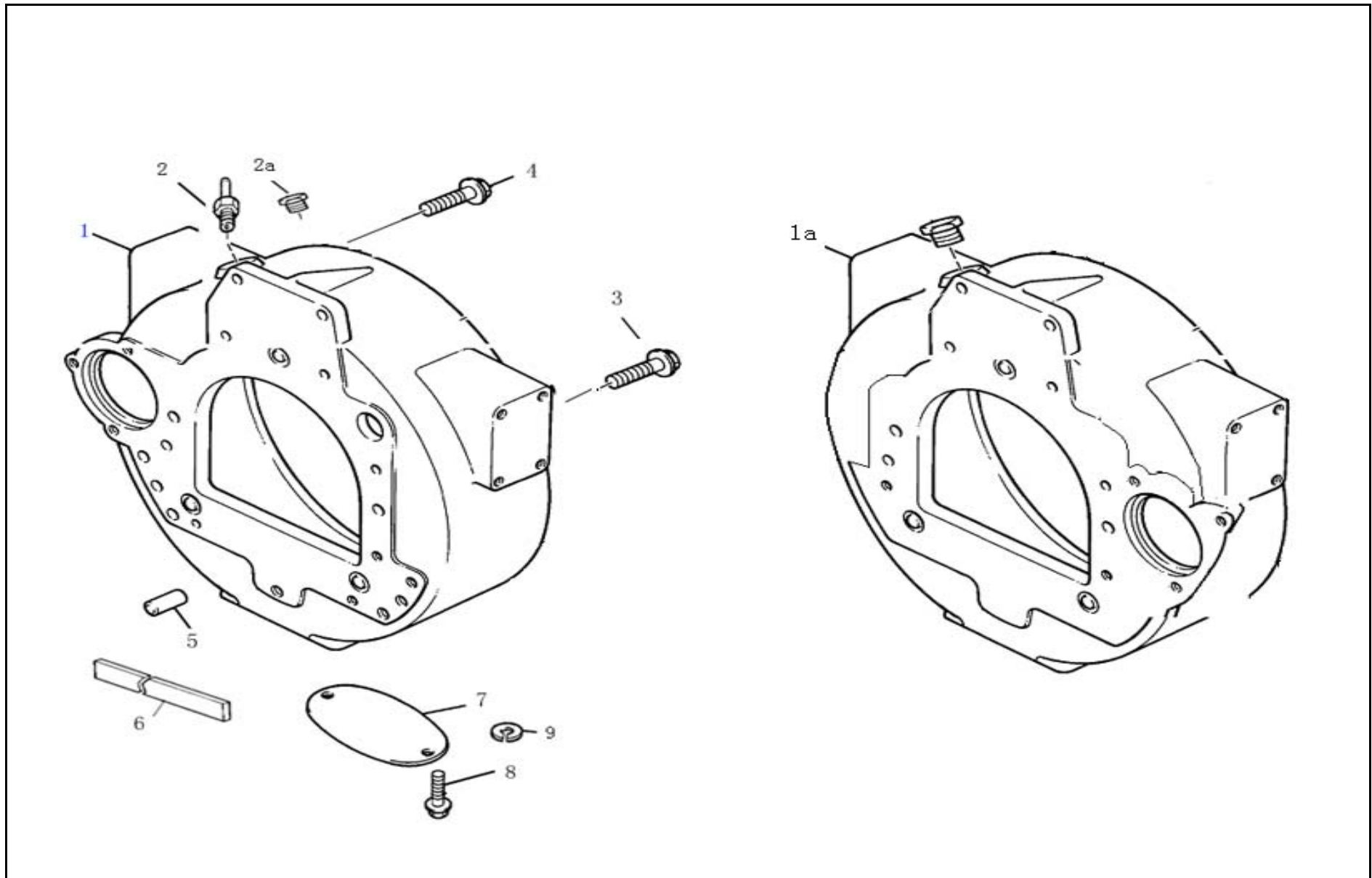
序号 No.	零件代号 Part No.	零件名称及规格. Part Name and Specification	适用车型及用量 (件) Applied Models and Quantity (Piece)						
			用量 Qty.	车型 Models	用量 Qty.	车型 Model	用量 Qty.	车型 Model	
	1S10691000146	发动机总成	Engine assembly	1					
1	T3627P024	桥架	Axle stand	1					
2	T2311D039	螺栓	Bolt	2					
3	T2413A016	堵	Plug	2					
4	T4145H061B	油底壳 (总成)	Oil pan assembly	1					
5	T32186405	堵	Plug	2					
6	T2415715	O 型圈	O-ring	2					
7	T36815736B	垫	Washer	1					
8	T2314H003	螺栓	Bolt	2					
9	T2314K164	螺栓	Bolt	4	1069VCJEA-0ADA23				
10	T2314K164	螺栓	Bolt	2	1069VCJEA-0ADA24				
11	T2314H003	螺栓	Bolt	12	1069VCJEA-0ADA25				
13	T3575A046	油管 (总成)	Oil pipe (assembly)	1	1069VCJEA-0ADA26				
14	T36832137A	垫	Washer	1	1069VCJEA-0ADA28				
15	T2314H007	螺栓	Bolt	2	1069VCJEA-0ADA30				
16	T3821D012	支架	Bracket	1					
17	T2314H002	螺栓	Bolt	1					
18	T0920484	垫圈	Washer	1					
19	T3661V002	板	Plate	1					
20	T3661C002	卡子	Clip	1					
21	T2314F002	螺栓	Bolt	1					

1S10691000146 发动机总成(润滑油底壳) Engine assembly(lubricating oil pan)

序号 No.	零件代号 Part No.	零件名称及规格.	Part Name and Specification	适用车型及用量 (件) Applied Models and Quantity (Piece)					
				用量 Qty.	车型 Models	用量 Qty.	车型 Model	用量 Qty.	车型 Model
22	T2314F004	螺栓	Bolt	2	1069VCJEA-0ADA23 1069VCJEA-0ADA24 1069VCJEA-0ADA25 1069VCJEA-0ADA26 1069VCJEA-0ADA28 1069VCJEA-0ADA30				
23	T2318A602	螺母	Nut	2					
24	T73801132	油尺管 (总成)	Dipstick pipe assembly	1					
25	T3178C125F	油尺	Dipstick	1					
26	T33812116	橄榄体	Olivary body	1					



1S10691000146 发动机总成(飞轮壳) Engine assembly(flywheel housing)

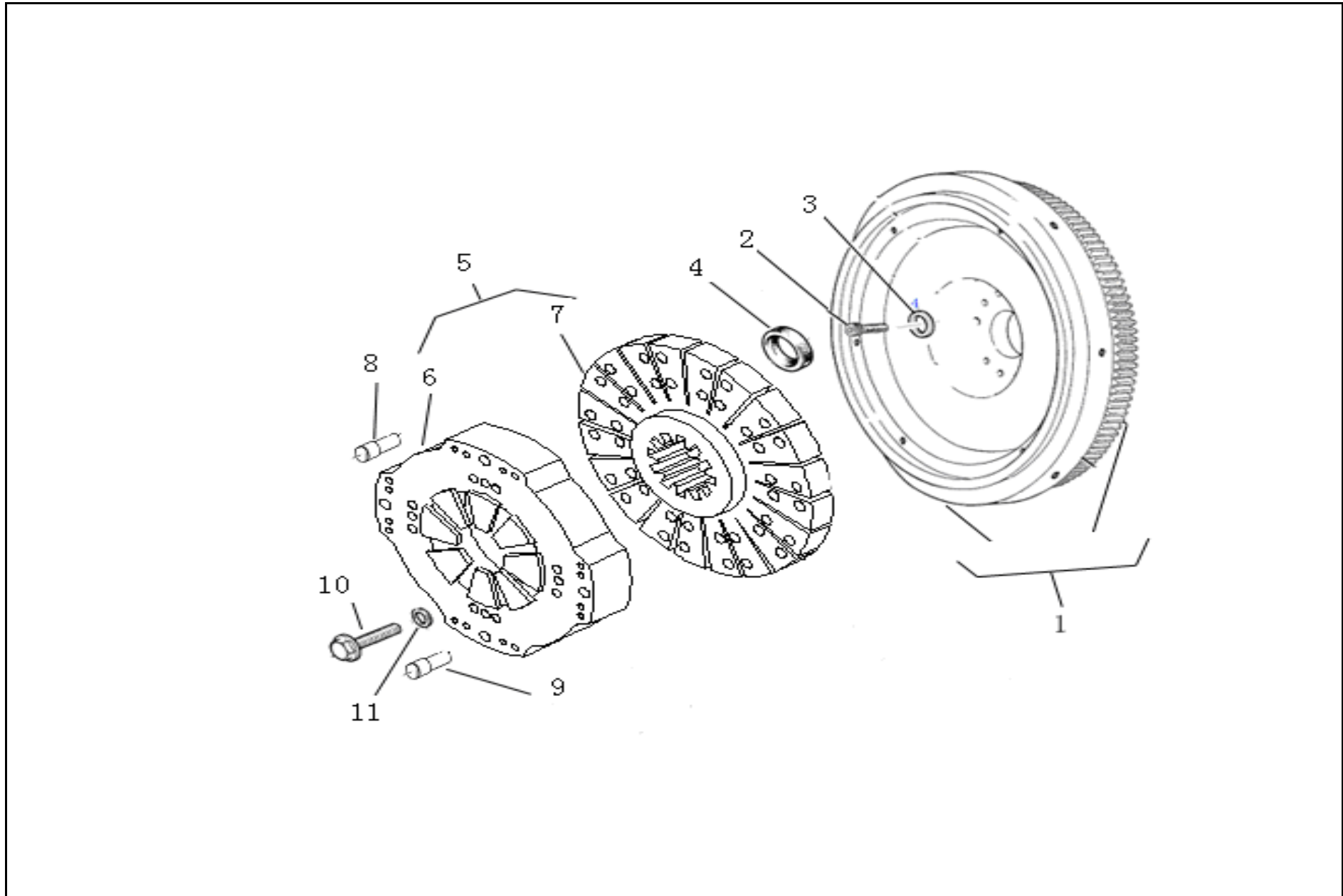


1S10691000146 发动机总成(飞轮壳) Engine assembly(flywheel housing)

序号 No.	零件代号 Part No.	零件名称及规格. Part Name and Specification	适用车型及用量 (件) Applied Models and Quantity (Piece)						
			用量 Qty.	车型 Models	用量 Qty.	车型 Model	用量 Qty.	车型 Model	
	1S10691000146	发动机总成	Engine assembly	1					
1	T3713K023D	飞轮壳	Flywheel housing	1					
2	T65204029	转速传感器	Tachometer sensor	1					
2a	Q/0501-05	螺堵 M16X1.5	Plug M16X1.5	1					
3	T2314J204	螺栓	Bolt	6					
4	T2314J603	螺栓	Bolt	2					
5	T0350025	定位销	Locating pin	2					
6	T36843154	密封条	Sealing strip	1					
7	T0240356	盖板	Cover plate	1					
8	GB5783-86	螺栓 M6X16	Bolt M6 × 16	2	1069VCJEA-0ADA23				
					1069VCJEA-0ADA24				
9	GB93-87D6	弹簧垫圈 6	Spring washer 6	2	1069VCJEA-0ADA25				
					1069VCJEA-0ADA26				
					1069VCJEA-0ADA28				
					1069VCJEA-0ADA30				



1S10691000146 发动机总成(飞轮及启动齿圈) Engine assembly(flywheel and starting gear ring)

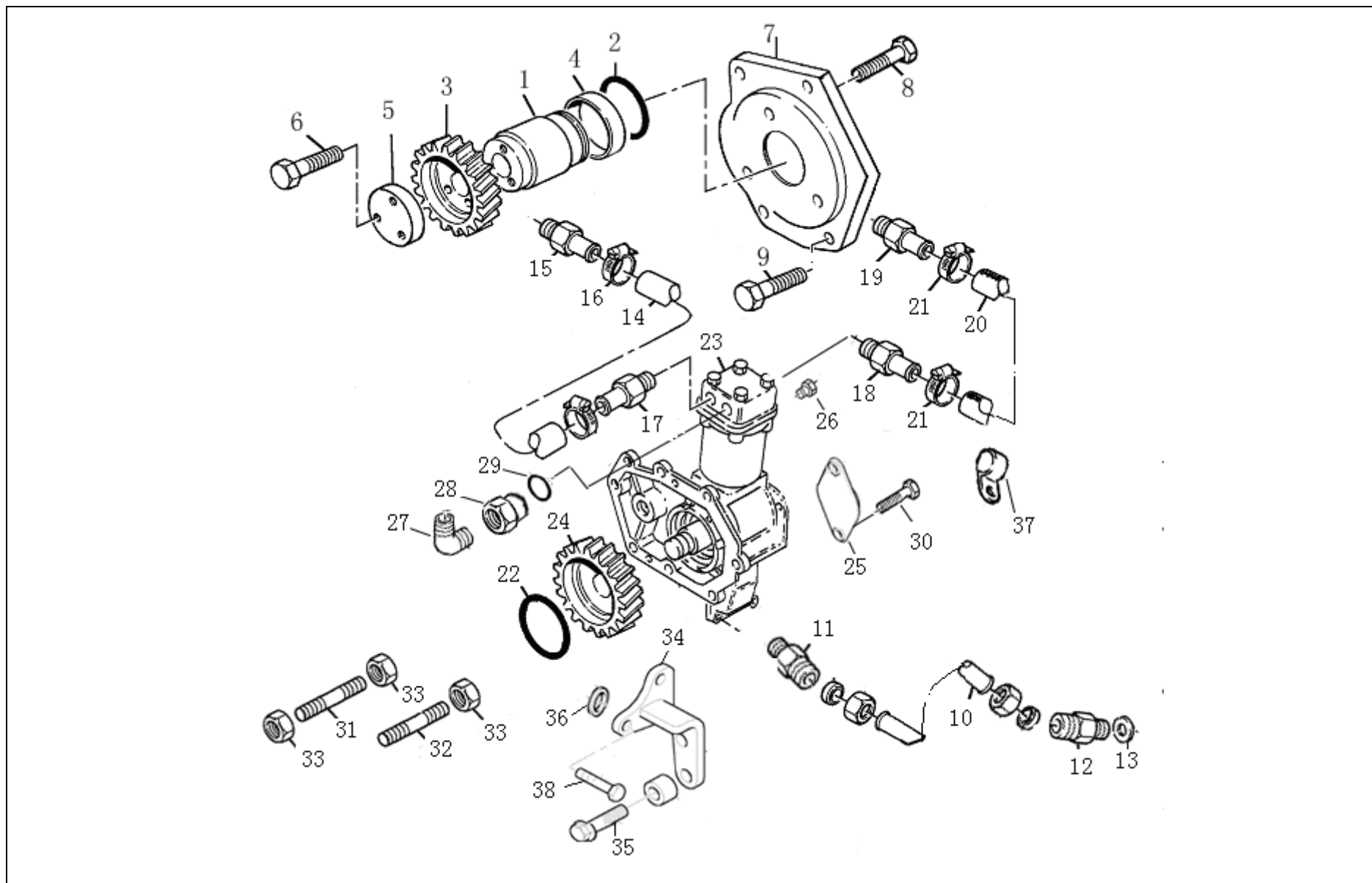


1S10691000146 发动机总成(飞轮及启动齿圈) Engine assembly(flywheel and starting gear ring)

序号 No.	零件代号 Part No.	零件名称及规格. Part Name and Specification	适用车型及用量 (件) Applied Models and Quantity (Piece)						
			用量 Qty.	车型 Models	用量 Qty.	车型 Model	用量 Qty.	车型 Model	
	1S10691000146	发动机总成	Engine assembly	1					
1	T63615000K1	飞轮部	Flywheel part	1					
	T31162121B	齿圈 126 齿	Gear ring 126 gear	1					
2	T2185103	螺栓	Bolt	10					
3	T33117127	垫圈	Washer	10					
4	T63601003	轴承 6205	Bearing 6205	1					
5	T65811000	离合器 DS330T3	Clutch DS330T3	1					
6	T65803000	盖总成	Cover assembly	1					
7	T65804000	从动盘总成	Driven disc assembly	1					
8	T63602109	定位销	Locating pin	1	1069VCJEA-0ADA23				
9	T63602110	定位销	Locating pin	1	1069VCJEA-0ADA24				
10	T2314J003	螺栓	Bolt	8	1069VCJEA-0ADA25				
11	GB93-87D10	垫圈 10	Washer 10	8	1069VCJEA-0ADA26				
					1069VCJEA-0ADA28				
					1069VCJEA-0ADA30				



1S10691000146 发动机总成(齿轮驱动辅件传动选用) Engine assembly (Optional gear drive auxiliary parts transmission)



1S10691000146 发动机总成(齿轮驱动辅件传动选用) Engine assembly (Optional gear drive auxiliary parts transmission)

序号 No.	零件代号 Part No.	零件名称及规格. Part Name and Specification	适用车型及用量 (件) Applied Models and Quantity (Piece)						
			用量 Qty.	车型 Models	用量 Qty.	车型 Model	用量 Qty.	车型 Model	
	1S10691000146	发动机总成	Engine assembly	1					
1	T3272X021	轮毂	Hub	1					
2	T2415H213	O 型圈	O-ring	1					
3	T3117C161	齿轮	Gear	1					
4	T2551A289	轴承	Bearing	1					
5	T3241H011	板	Plate	1					
6	T2314H002	螺栓	Bolt	3					
7	T3753R241	支架	Bracket	1					
8	T2311D081	螺栓	Bolt	3					
9	T2311D560	螺栓	Bolt	4	1069VCJEA-0ADA23				
10	T73209520	油管	Oil pipe	1	1069VCJEA-0ADA24				
11	T0206002	接头	Connector	1	1069VCJEA-0ADA25				
12	T3355M005	接头	Connector	1	1069VCJEA-0ADA26				
13	T0920155	垫圈	Washer	1	1069VCJEA-0ADA28				
14	T64600107B	胶管	Hose	1	1069VCJEA-0ADA30				
15	T0470672	接头	Connector	1					
16	T0180063A	喉箍	Hose clamp	2					
17	T3355A017	接头	Connector	1					
	T2411157	垫圈	Washer	2					
18	T3355A017	接头	Connector	1					

1S10691000146 发动机总成(齿轮驱动辅件传动选用) Engine assembly (Optional gear drive auxiliary parts transmission)

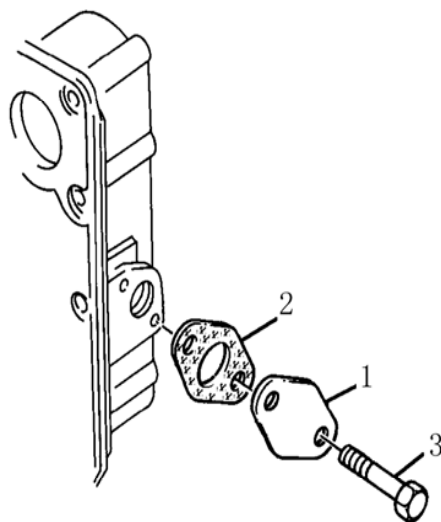
序号 No.	零件代号 Part No.	零件名称及规格. Part Name and Specification	适用车型及用量 (件) Applied Models and Quantity (Piece)						
			用量 Qty.	车型 Models	用量 Qty.	车型 Model	用量 Qty.	车型 Model	
19	T0470672	接头	Connector	1	1069VCJEA-0ADA23 1069VCJEA-0ADA24 1069VCJEA-0ADA25 1069VCJEA-0ADA26 1069VCJEA-0ADA28 1069VCJEA-0ADA30				
20	T3482V077	胶管	Rubber pipe	1					
21	T0180063A	喉箍	Hose clamp	2					
22	T2415H461	O 型圈	O-ring	1					
23	T64600113	空压机	Air compressor	1					
	TZZ90505	缸盖	Cylinder head	1					
	TZZ90506	活塞	Piston	1					
	TZZ90507	活塞环总成	Piston ring assembly	1					
	TZZ90508	垫总成	Gasket assembly	1					
	TZZ90509	阀片、板总成	Valve plate and board assy.	1					
	TZZ90510	连杆铜套	Connecting rod bushing	1					
	TZZ90512	连杆瓦	Connecting rod bearing	1					
24	T3117C151	齿轮	Gear	1					
25	T3683R008	垫	Gasket	1					
26	T71101001	螺堵 M10x1x6	Plug M10x1x6	1					
27	T64612103	接头	Connector	1					
28	T64612104	接头锁母	Connector lock nut	1					
29	T64612105	密封垫圈	Sealing washer	1					
30	T2314J001	螺栓	Bolt	2					
31	T2313H321	丝对	Screwnipple	1					

1S10691000146 发动机总成(齿轮驱动辅件传动选用) Engine assembly (Optional gear drive auxiliary parts transmission)

序号 No.	零件代号 Part No.	零件名称及规格. Part Name and Specification	适用车型及用量 (件) Applied Models and Quantity (Piece)						
			用量 Qty.	车型 Models	用量 Qty.	车型 Model	用量 Qty.	车型 Model	
32	T3245T001	丝对	Screwnipple	1	1069VCJEA-0ADA23 1069VCJEA-0ADA24 1069VCJEA-0ADA25 1069VCJEA-0ADA26 1069VCJEA-0ADA28 1069VCJEA-0ADA30				
33	T2318A605	螺母	Nut	3					
34	T74605005	支架	Bracket	1					
35	T2314H004	螺栓	Bolt	2					
36	T2131467	垫圈	Washer	2					
38	T2314J012	螺栓	Bolt	2					



1S10691000146 发动机总成(盖板) Engine assembly(cover plate)



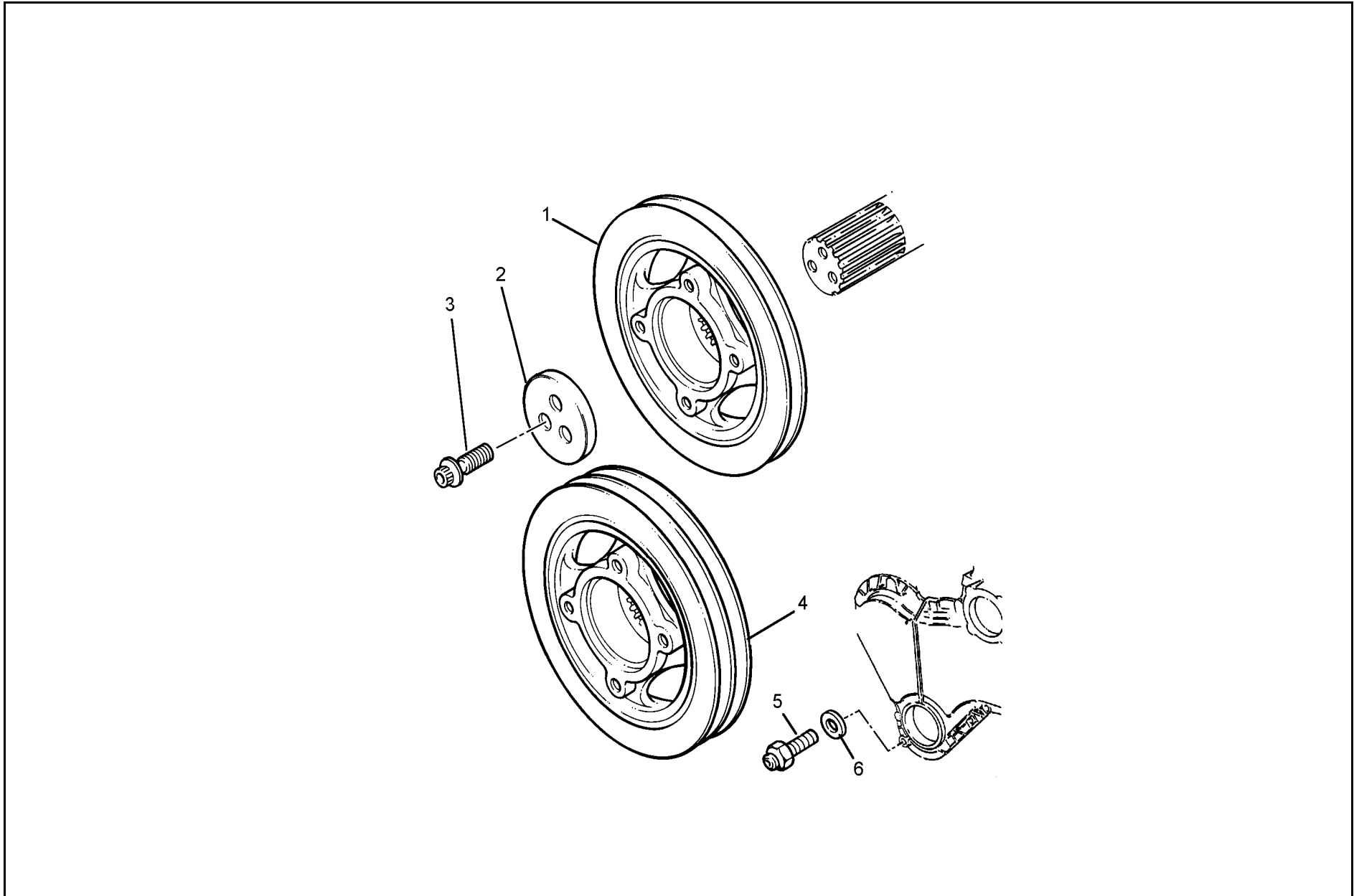
1S10691000146 发动机总成(盖板) Engine assembly(cover plate)

序号 No.	零件代号 Part No.	零件名称及规格.	Part Name and Specification	适用车型及用量 (件) Applied Models and Quantity (Piece)					
				用量 Qty.	车型 Models	用量 Qty.	车型 Model	用量 Qty.	车型 Model
	1S10691000146	发动机总成	Engine assembly	1					
1	T3617A001	盖板	Cover plate	2					
2	T3683H006A	垫	Washer	2					
3	T2314H003	螺栓	Bolt	4					

1069VCJEA-0ADA23
1069VCJEA-0ADA24
1069VCJEA-0ADA25
1069VCJEA-0ADA26
1069VCJEA-0ADA28
1069VCJEA-0ADA30



1S10691000146 发动机总成(前端驱动输入) Engine assembly(front end driving input)

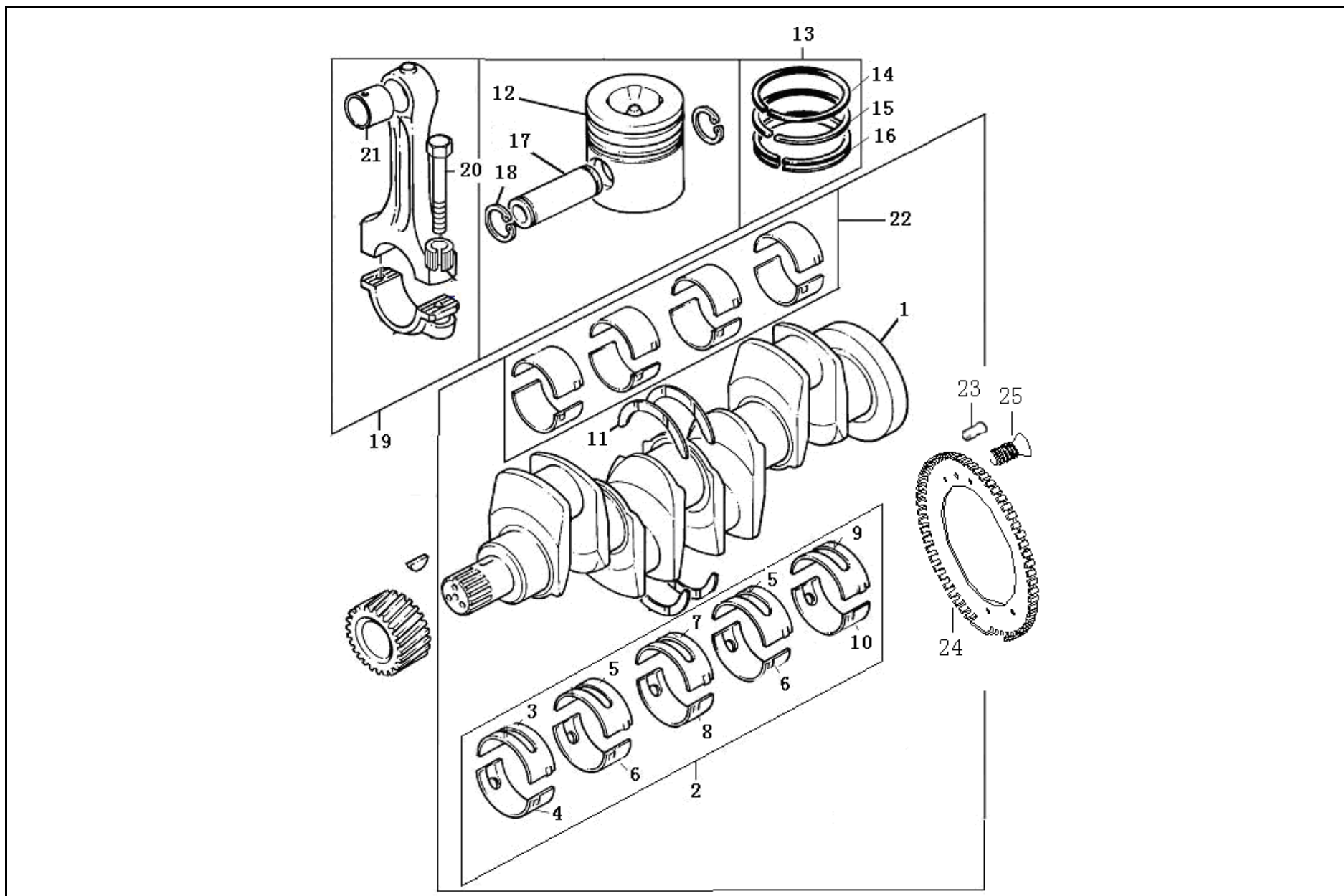


1S10691000146 发动机总成(前端驱动输入) Engine assembly(front end driving input)

序号 No.	零件代号 Part No.	零件名称及规格.	Part Name and Specification	适用车型及用量 (件) Applied Models and Quantity (Piece)					
				用量 Qty.	车型 Models	用量 Qty.	车型 Model	用量 Qty.	车型 Model
	1S10691000146	发动机总成	Engine assembly	1					
1	T3114V032	皮带轮	Pulley	1					
2	T3241N001	止推块	Thrust block	1					
3	T32186137	螺栓	Bolt	3					
4	T64303041	联接皮带轮	Coupling pulley	1					
5	T61104106	联接螺栓	Coupling bolt	4					
6	GB93-87D12	弹簧垫圈 12	Spring washer 12	4					
					1069VCJEA-0ADA23				
					1069VCJEA-0ADA24				
					1069VCJEA-0ADA25				
					1069VCJEA-0ADA26				
					1069VCJEA-0ADA28				
					1069VCJEA-0ADA30				



1S10691000146 发动机总成(曲轴 活塞及连杆) Engine assembly(crankshaft, piston and connecting rod)

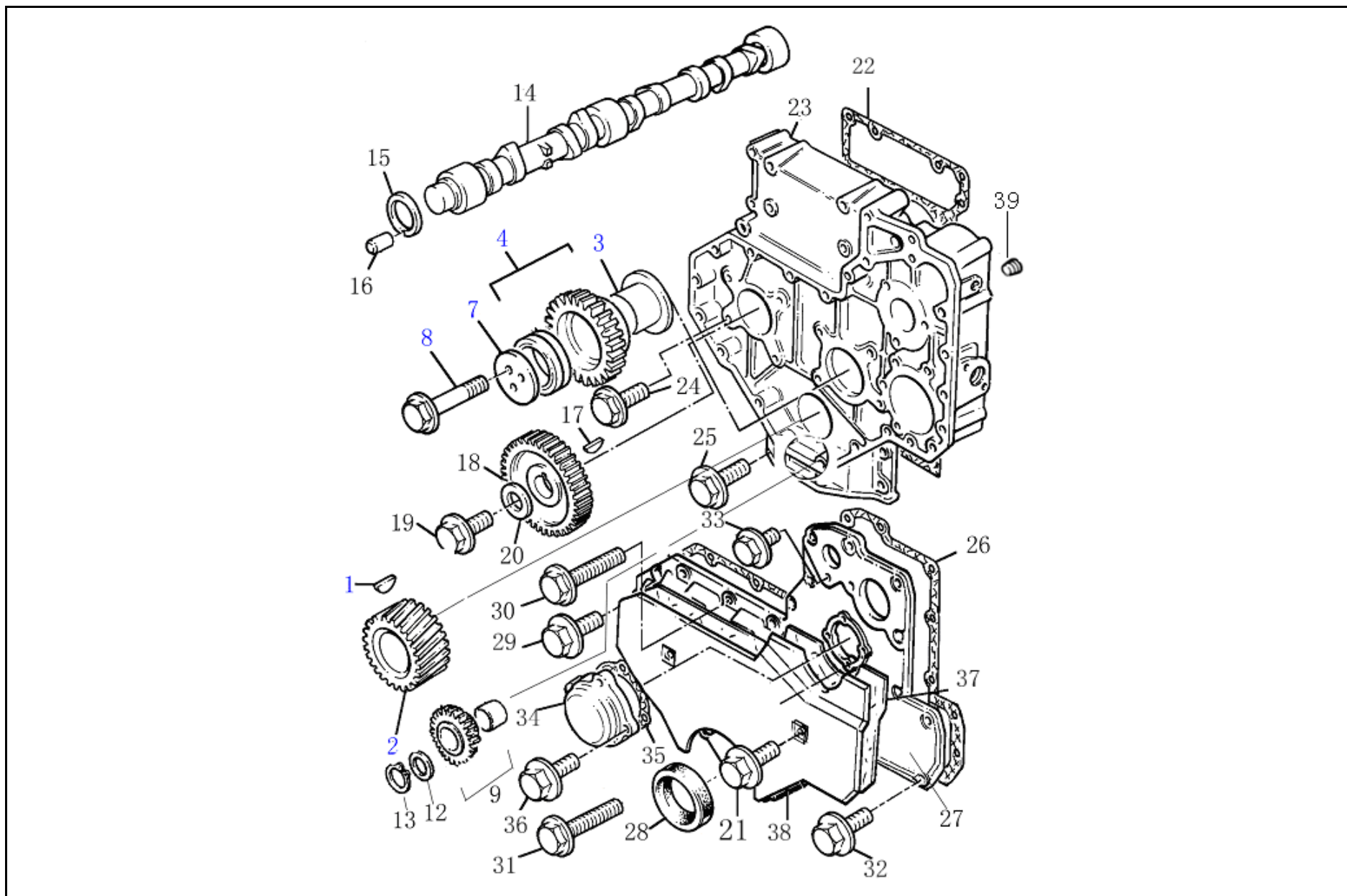


1S10691000146 发动机总成(曲轴 活塞及连杆) Engine assembly(crankshaft, piston and connecting rod)

序号 No.	零件代号 Part No.	零件名称及规格. Part Name and Specification	适用车型及用量 (件) Applied Models and Quantity (Piece)						
			用量 Qty.	车型 Models	用量 Qty.	车型 Model	用量 Qty.	车型 Model	
	1S10691000146	发动机总成	Engine assembly	1					
1	T31315681	曲轴	Crankshaft	1					
2	T81558	主轴瓦	Main bearing	1					
11	TZZ90001	止推片总成	Thrust pad assy	1					
12	T3135J181ETC	活塞	Piston	4					
13	T4181A026	活塞环	Piston ring	4					
14	T3136J051	气环	Gas ring	1					
15	T3136X021	气环	Gas ring	1					
16	T3137N021	油环	Oil ring	1					
17	T3313T005	活塞销	Piston pin	4	1069VCJEA-0ADA23				
18	T2721332	卡簧	Circlip	8	1069VCJEA-0ADA24				
19	T4115C211	连杆总成	Connecting rod assembly	4	1069VCJEA-0ADA25				
20	T32186142	螺栓	Bolt	2	1069VCJEA-0ADA26				
21	T3112E005	小头衬套	Small end bushing	1	1069VCJEA-0ADA28				
22	T31132011	连杆瓦	Connecting rod bearing	8	1069VCJEA-0ADA30				



1S10691000146 发动机总成(正时齿轮及凸轮轴) Engine assembly(timing gear and camshaft)



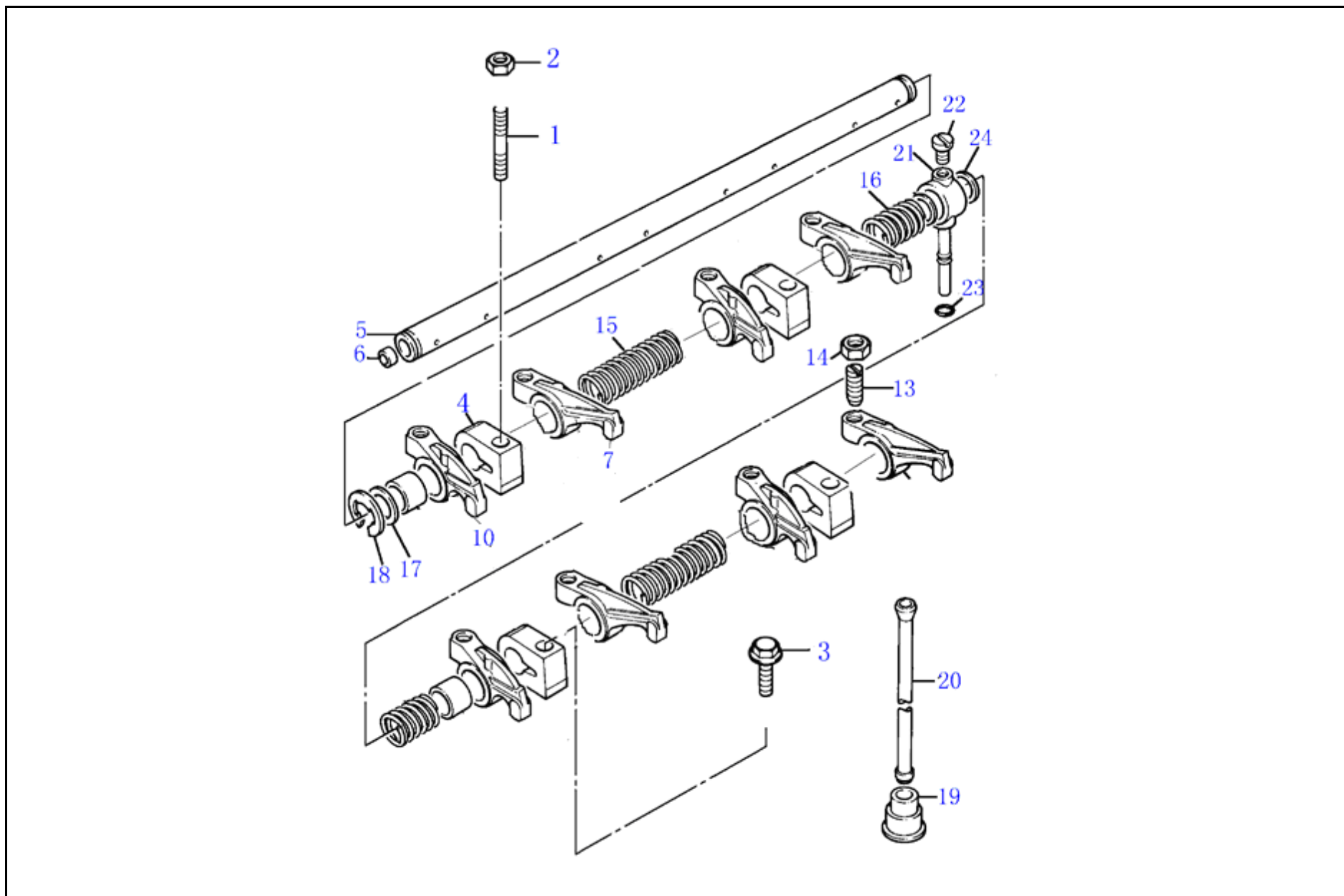
1S10691000146 发动机总成(正时齿轮及凸轮轴) Engine assembly(timing gear and camshaft)

序号 No.	零件代号 Part No.	零件名称及规格. Part Name and Specification	适用车型及用量 (件) Applied Models and Quantity (Piece)						
			用量 Qty.	车型 Models	用量 Qty.	车型 Model	用量 Qty.	车型 Model	
	1S10691000146	发动机总成	Engine assembly	1					
1	T0500012	键	Key	1					
2	T3117C061	齿轮	Gear	1					
3	T33426161A	轮毂	Hub	1					
4	T4111A013	齿轮	Gear	1					
7	T3241H009	固定板	Fixing plate	1					
8	T2314J010	螺栓	Bolt	3					
9	T4111A021	齿轮	Gear	1					
12	T33123125	垫圈	Washer	1					
13	T2722A206	卡簧	Circlip	1	1069VCJEA-0ADA23				
14	T31415363	凸轮轴	Camshaft	1	1069VCJEA-0ADA24				
15	T33153121	板	Plate	1	1069VCJEA-0ADA25				
16	T2116053	销子	Pin	1	1069VCJEA-0ADA26				
17	T0500012	键	Key	1	1069VCJEA-0ADA28				
18	T3117L023	齿轮	Gear	1	1069VCJEA-0ADA30				
19	T2314J606	螺栓	Bolt	1					
20	T3321A003	垫圈	Washer	1					
21	T2314F003	螺栓	Bolt	2					
22	T3681P009	垫	Washer	1					
23	T3716C127E	正时室	Timing room	1					
24	T2314H003	螺栓	Bolt	8					

1S10691000146 发动机总成(正时齿轮及凸轮轴) Engine assembly(timing gear and camshaft)

序号 No.	零件代号 Part No.	零件名称及规格.	Part Name and Specification	适用车型及用量 (件) Applied Models and Quantity (Piece)					
				用量 Qty.	车型 Models	用量 Qty.	车型 Model	用量 Qty.	车型 Model
25	T2314H034	螺栓	Bolt	4	1069VCJEA-0ADA23 1069VCJEA-0ADA24 1069VCJEA-0ADA25 1069VCJEA-0ADA26 1069VCJEA-0ADA28 1069VCJEA-0ADA30				
26	T3681P029	垫	Washer	1					
27	T3716M073	前盖	Front cover	1					
28	T2418F436	油封	Oil seal	1					
29	T2314H005	螺栓	Bolt	5					
30	T2314H004	螺栓	Bolt	1					
31	T2314H034	螺栓	Bolt	1					
32	T2314H034	螺栓	Bolt	2					
33	T2314H013	螺栓	Bolt	6					
34	T3753R211	检查盖	Inspection cover	1					
35	T3682H003A	垫	Washer	1					
36	T2314F036	螺栓	Bolt	4					
37	T3781N042	减震垫	Damping gasket	1					
38	T3781N043	隔音板	Acoustic board	1					

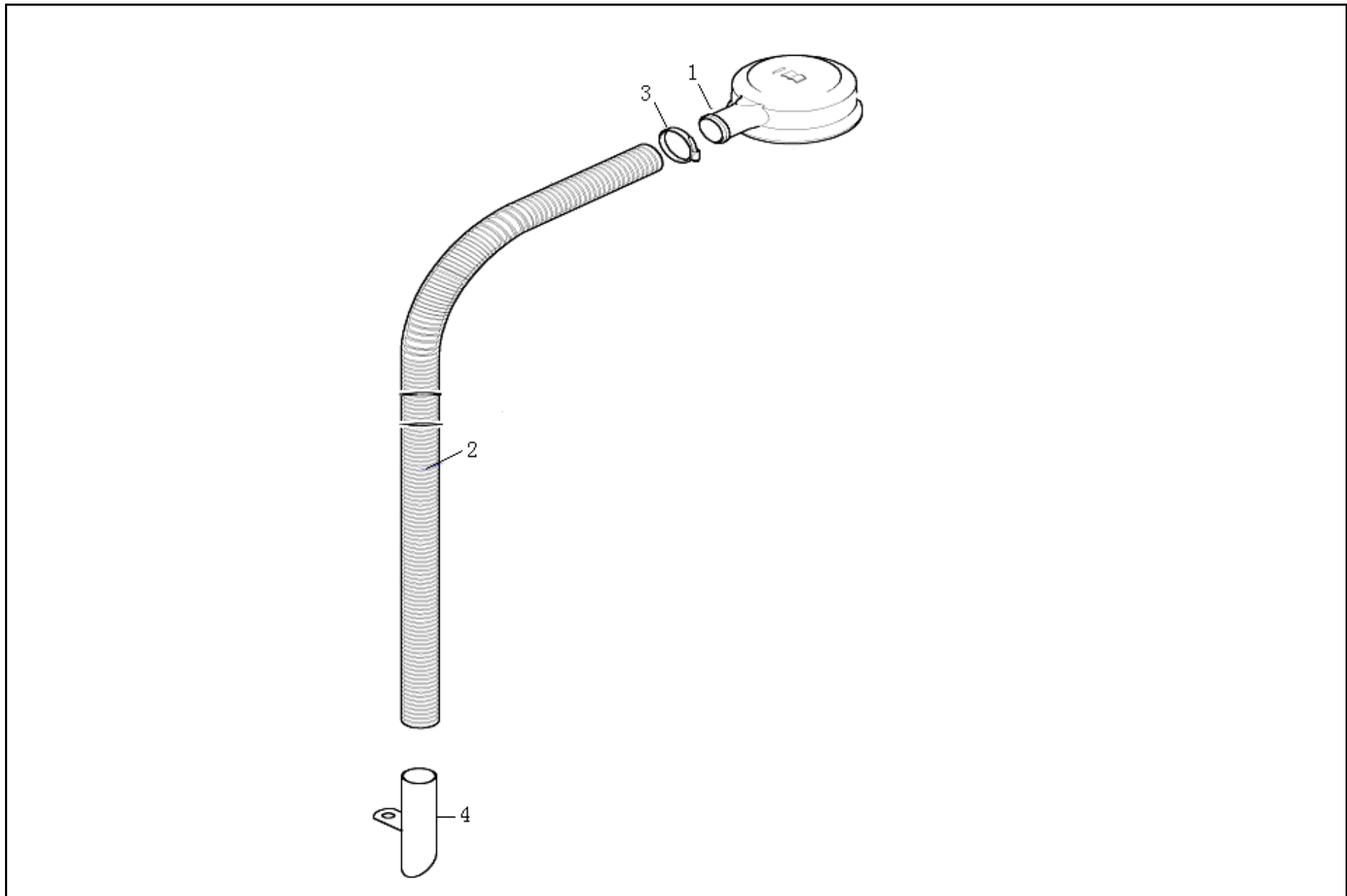
1S10691000146 发动机总成(摇臂轴) Engine assembly (rocker arm shaft)



1S10691000146 发动机总成(摇臂轴) Engine assembly (rocker arm shaft)

序号 No.	零件代号 Part No.	零件名称及规格. Part Name and Specification	适用车型及用量 (件) Applied Models and Quantity (Piece)						
			用量 Qty.	车型 Models	用量 Qty.	车型 Model	用量 Qty.	车型 Model	
	1S10691000146	发动机总成	Engine assembly	1					
1	T2313H331	丝对	Screwnipple	3					
2	T2318A605	螺母	Nut	3					
3	T2314J607	螺栓	Bolt	1					
4	T3818X901	支架	Bracket	4					
5	T31411124	摇臂轴	Rocker shaft	1					
6	T0650507	堵	Plug	2					
7	T4115R306	摇臂(组件)	Rocker arm (assy)	4					
10	T4115R305	摇臂(组件)	Rocker arm (assy)	4					
13	T32114145	螺栓	Bolt	8	1069VCJEA-0ADA23				
14	T0576052	螺母	Nut	8	1069VCJEA-0ADA24				
15	T31744123	弹簧	Spring	2	1069VCJEA-0ADA25				
16	T31743108	弹簧	Spring	2	1069VCJEA-0ADA26				
17	T33117434	垫圈	Washer	2	1069VCJEA-0ADA28				
18	T0170151	卡簧	Circlip	2	1069VCJEA-0ADA30				
19	T3142U031	挺柱	Tappet	8					
20	T31434307	推杆	Push rod	8					
21	T3775E012	进油接头	Oil inlet connecting pipe	1					
22	T2233022	螺栓	Bolt	1					
23	T33811113	橄榄体	olivarybody	1					
24	T3311K015	垫片	Gasket	2					

1S10691000146 发动机总成(呼吸器) Engine assembly(respirator)

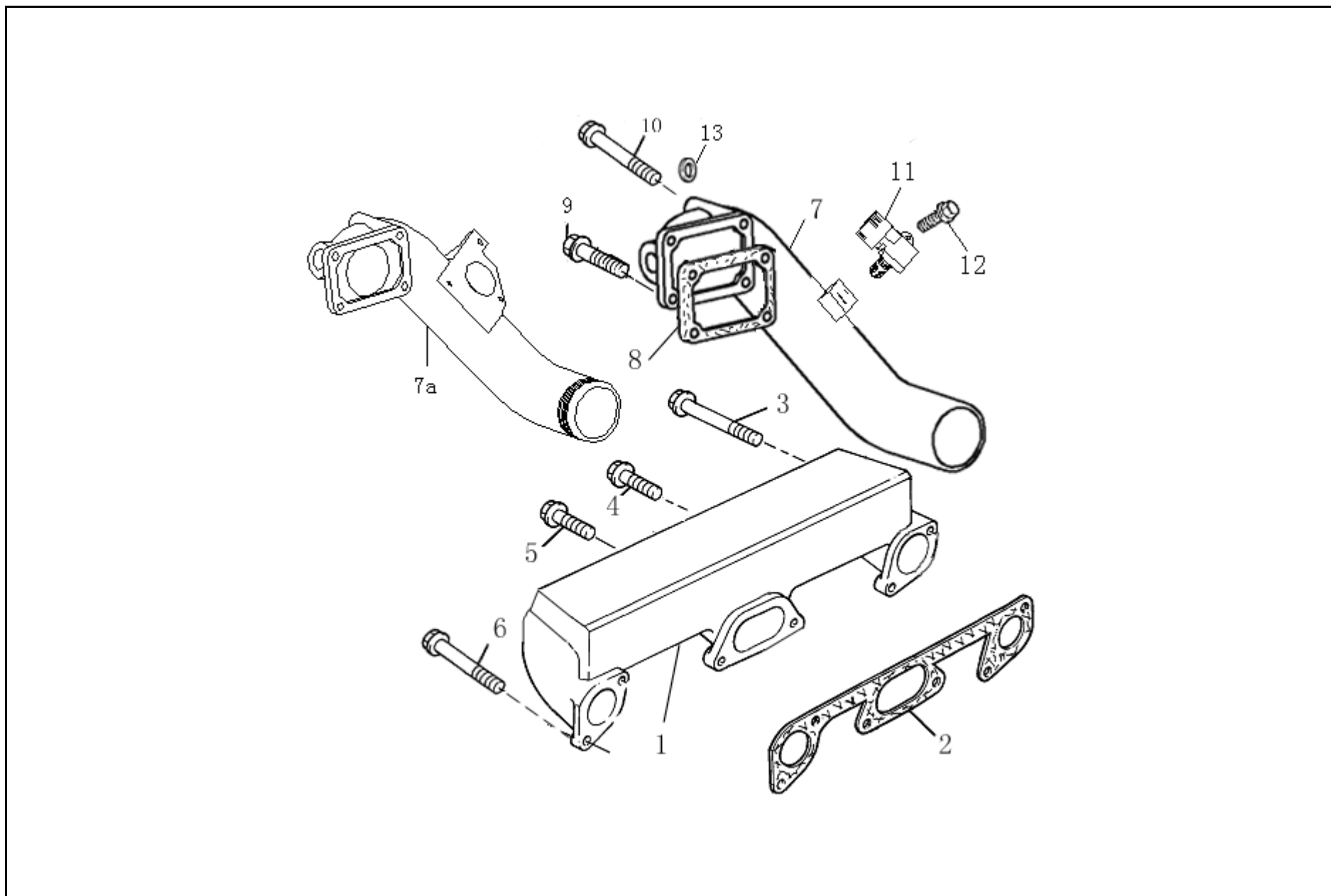


1S10691000146 发动机总成(呼吸器) Engine assembly(respirator)

序号 No.	零件代号 Part No.	零件名称及规格.	Part Name and Specification	适用车型及用量 (件) Applied Models and Quantity (Piece)						
				用量 Qty.	车型 Models	用量 Qty.	车型 Model	用量 Qty.	车型 Model	
	1S10691000146	发动机总成	Engine assembly	1	1069VCJEA-0ADA23 1069VCJEA-0ADA24 1069VCJEA-0ADA25 1069VCJEA-0ADA26 1069VCJEA-0ADA28 1069VCJEA-0ADA30					
1	T4133J001	呼吸器总成	Respirator assembly	1						
2	T33881108E	呼吸管	Air tube	1						
3	T0180066A	喉箍	Hose clamp	2						
4	T3573A006A	支架	Bracket	1						



1S10691000146 发动机总成(进、排气歧管)-1 Engine assembly(air inlet and exhaust manifold)-1

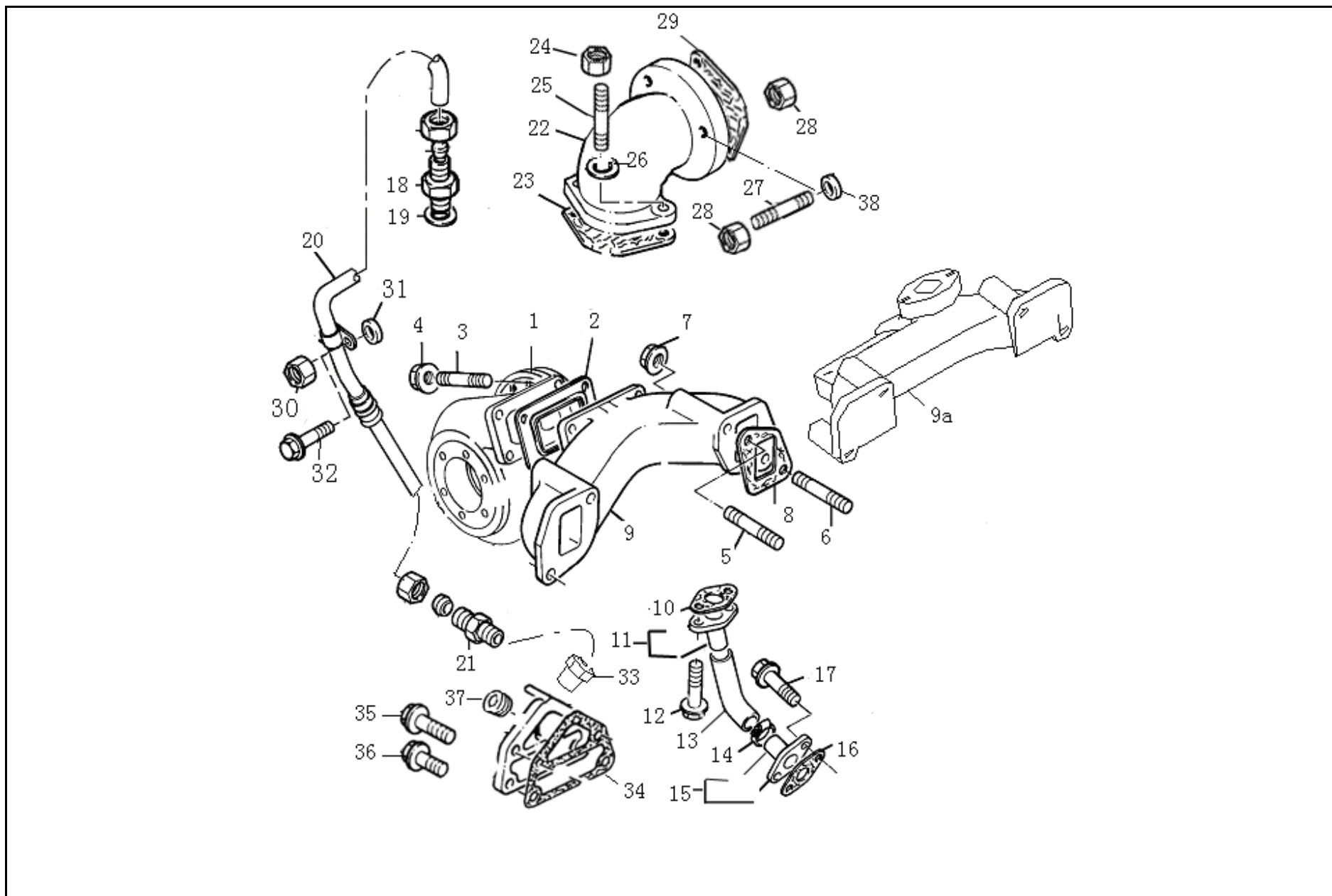


1S10691000146 发动机总成(进、排气歧管)-1 Engine assembly(air inlet and exhaust manifold)-1

序号 No.	零件代号 Part No.	零件名称及规格. Part Name and Specification	适用车型及用量 (件) Applied Models and Quantity (Piece)						
			用量 Qty.	车型 Models	用量 Qty.	车型 Model	用量 Qty.	车型 Model	
	1S10691000146	发动机总成	Engine assembly	1					
1	T3777E221B	进气管	Intake pipe	1					
2	T3688C024	垫	Washer	1					
3	T2314J014	螺栓	Bolt	1					
4	T2314J004	螺栓	Bolt	3					
6	T2314J018	螺栓	Bolt	1					
7	T74705204	进气弯管	Intake elbow	1					
8	T3684N009	垫	Washer	1					
9	T2314H004	螺栓	Bolt	2					
10	T2314H019	螺栓	Bolt	2	1069VCJEA-0ADA23 1069VCJEA-0ADA24 1069VCJEA-0ADA25 1069VCJEA-0ADA26 1069VCJEA-0ADA28 1069VCJEA-0ADA30				
10	T2314H020	螺栓	Bolt	1					



1S10691000146 发动机总成(进、排气歧管)-2 Engine assembly(air inlet and exhaust manifold)-2



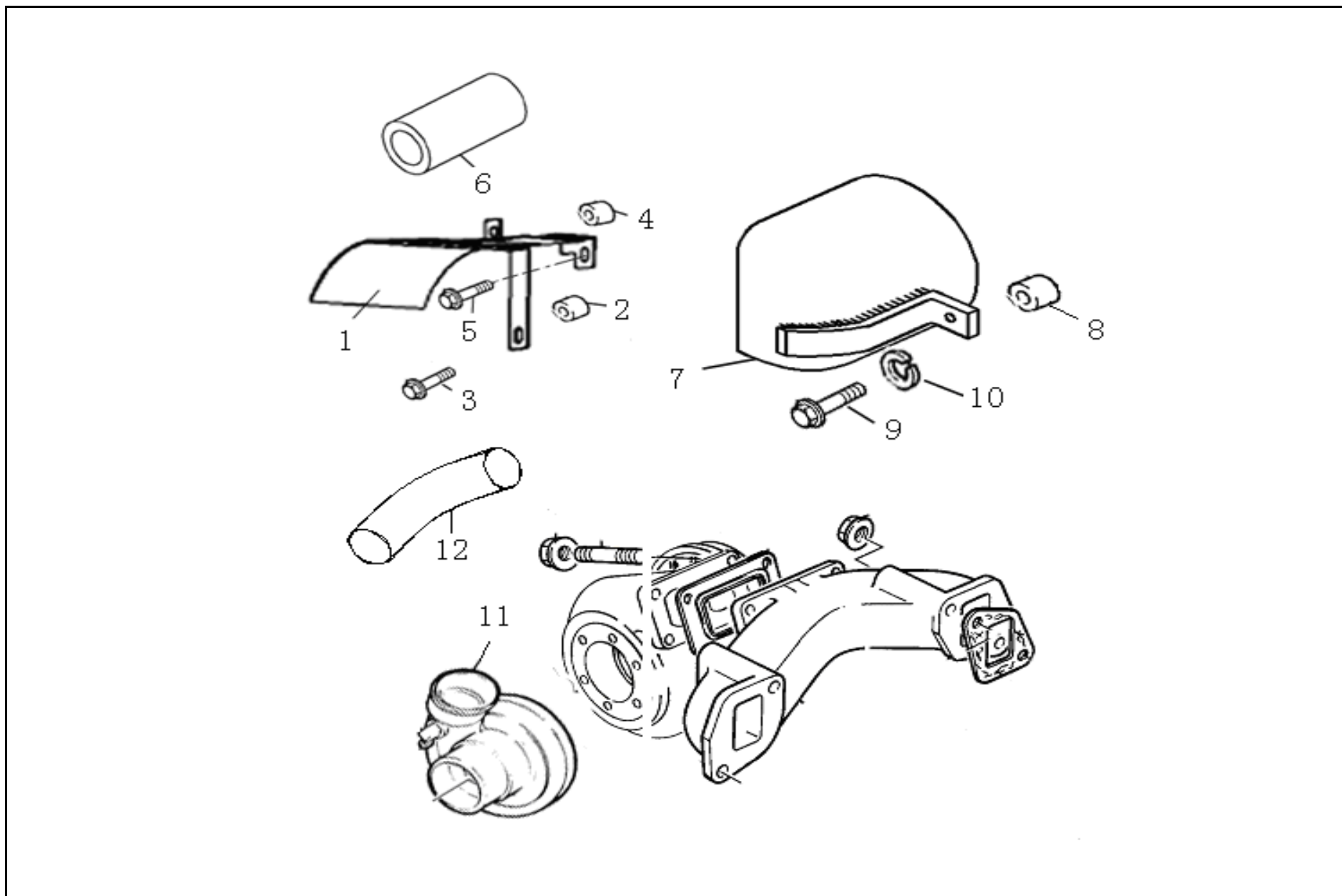
1S10691000146 发动机总成(进、排气歧管)-2 Engine assembly(air inlet and exhaust manifold)-2

序号 No.	零件代号 Part No.	零件名称及规格. Part Name and Specification	适用车型及用量 (件) Applied Models and Quantity (Piece)						
			用量 Qty.	车型 Models	用量 Qty.	车型 Model	用量 Qty.	车型 Model	
	1S10691000146	发动机总成	Engine assembly	1					
1	T2674A150	增压器	Turbocharger	1					
2	TL681VF03	垫	Washer	1					
3	T71102002	丝对	Screw nipple	4					
4	T2318A633	螺母	Nut	4					
5	T2313M387A	丝对	Screw nipple	3					
6	T2313M388A	丝对	Screw nipple	1					
7	T2318A634	螺母	Nut	4					
8	T3681V505	垫	Washer	2	1069VCJEA-0ADA23				
9	T3778H201	排气管	Exhaust pipe	1	1069VCJEA-0ADA24				
10	T3683D008A	垫	Washer	1	1069VCJEA-0ADA25				
11	T3571N007	油管	Oil pipe	1	1069VCJEA-0ADA26				
12	T2314H003	螺栓	Bolt	1	1069VCJEA-0ADA28				
13	T3383A006	胶管	Hose	1	1069VCJEA-0ADA30				
14	T2481877A	喉箍	Hose clamp	2					
15	T3571N008	油管(组件)	Oil pipe (module)	1					
16	T36832144A	垫	Washer	1					
17	T2314H003	螺栓	Bolt	2					
18	T0201502	接头	Connector	1					
19	TL311KF01	垫圈	Washer	1					
20	T4123T016	油管	Oil pipe	1					

1S10691000146 发动机总成(进、排气歧管)-2 Engine assembly(air inlet and exhaust manifold)-2

序号 No.	零件代号 Part No.	零件名称及规格.	Part Name and Specification	适用车型及用量 (件) Applied Models and Quantity (Piece)					
				用量 Qty.	车型 Models	用量 Qty.	车型 Model	用量 Qty.	车型 Model
21	T33555138	接头	Connector	1					
22	T64703008A	排气弯管	Exhaust elbow	1					
23	T64703009	密封垫	Sealing gasket	1					
24	Q340B10	螺母 M10	Nut M10	3					
25	T2313C079	丝对	Screwnipple	3					
26	Q40310	弹簧垫圈 10	Spring washer 10	3					
27	T2313C079	双头螺栓	Stud bolt	3					
28	Q340B10	螺母 M10	Nut M10	6					
29	T3688C018	密封垫	Sealing gasket	1	1069VCJEA-0ADA23				
					1069VCJEA-0ADA24				
					1069VCJEA-0ADA25				
					1069VCJEA-0ADA26				
					1069VCJEA-0ADA28				
					1069VCJEA-0ADA30				

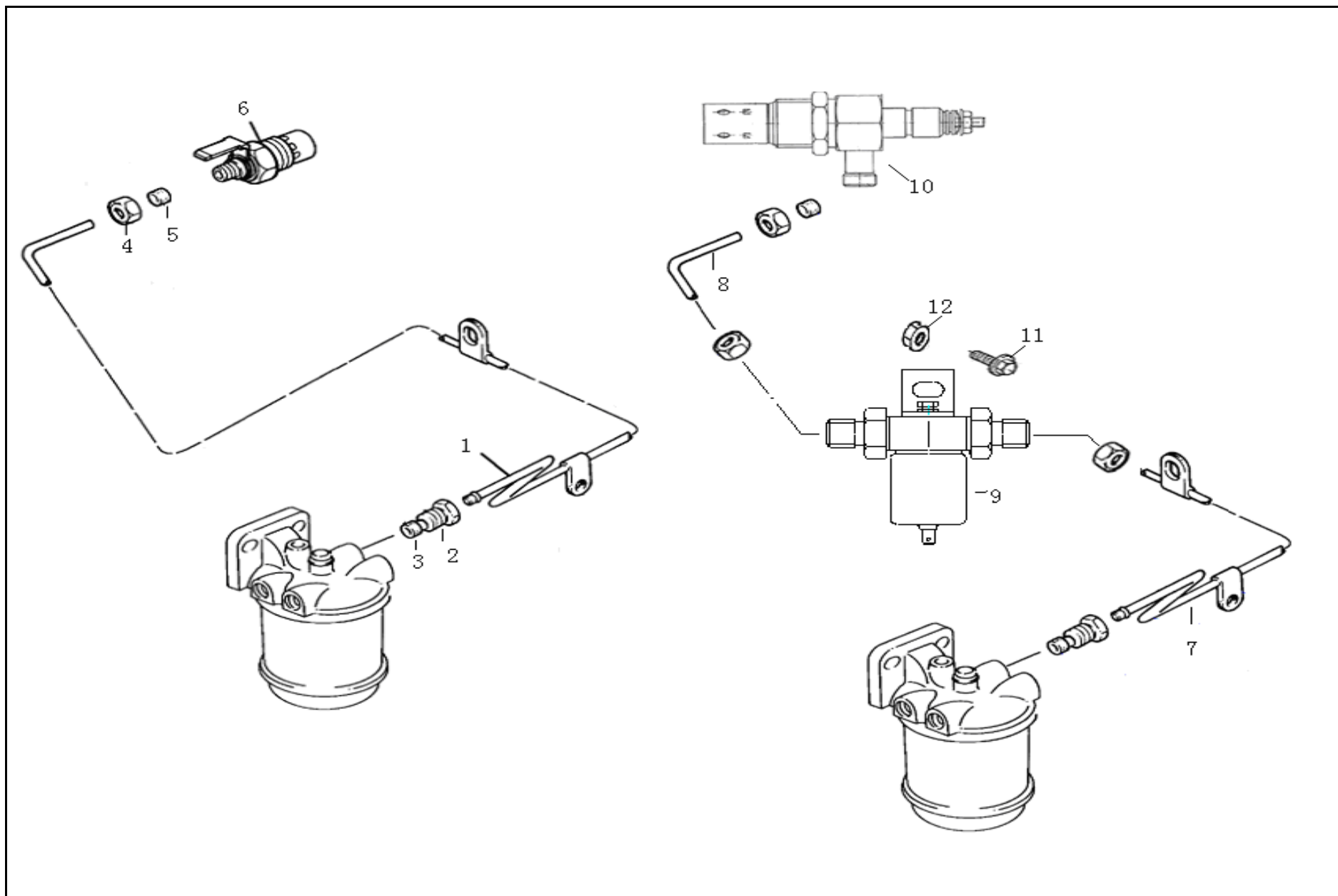
1S10691000146 发动机总成(进、排气歧管)-3 Engine assembly(air inlet and exhaust manifold)-3



1S10691000146 发动机总成(进、排气歧管)-3 Engine assembly(air inlet and exhaust manifold)-3

序号 No.	零件代号 Part No.	零件名称及规格.	Part Name and Specification	适用车型及用量 (件) Applied Models and Quantity (Piece)						
				用量 Qty.	车型 Models	用量 Qty.	车型 Model	用量 Qty.	车型 Model	
	1S10691000146	发动机总成	Engine assembly	1						
6	T3383E008	耐热耐压胶管	Heat-resistant compression-resistant hose	1						
7	T64701010	隔热罩	Heat insulation cover	1						
8	T74701011	隔圈	Spacer ring	1						
9	GB5783-86	螺栓 M10X85	Bolt M10X85	1						
					1069VCJEA-0ADA23					
					1069VCJEA-0ADA24					
					1069VCJEA-0ADA25					
					1069VCJEA-0ADA26					
					1069VCJEA-0ADA28					
					1069VCJEA-0ADA30					

1S10691000146 发动机总成(加热器启动开关) Engine assembly(starting switch of heater)

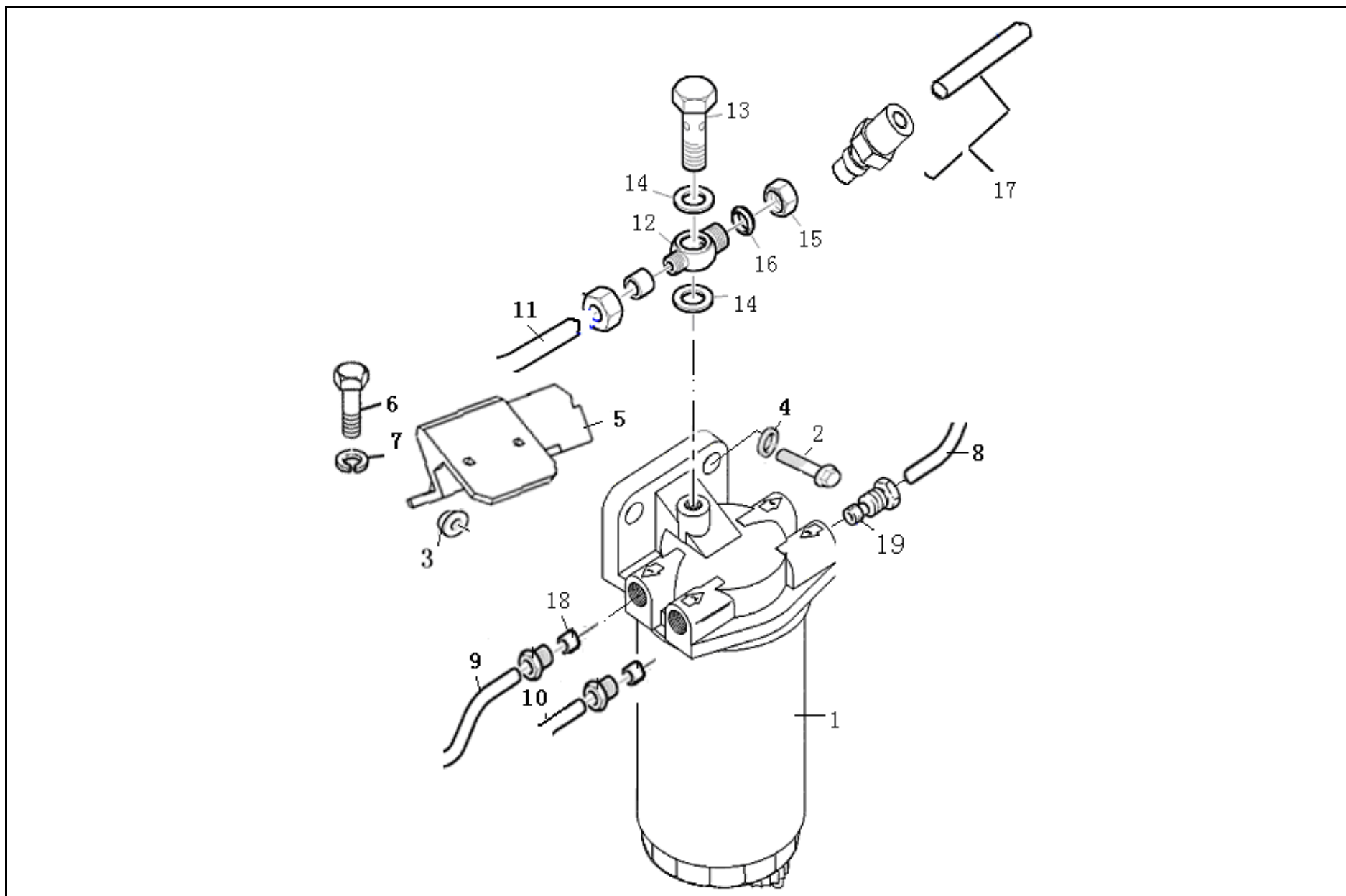


1S10691000146 发动机总成(加热器起动开关) Engine assembly(starting switch of heater)

序号 No.	零件代号 Part No.	零件名称及规格. Part Name and Specification	适用车型及用量 (件) Applied Models and Quantity (Piece)							
			用量 Qty.	车型 Models	用量 Qty.	车型 Model	用量 Qty.	车型 Model		
	1S10691000146	发动机总成	Engine assembly	1	1069VCJEA-0ADA23 1069VCJEA-0ADA24 1069VCJEA-0ADA25 1069VCJEA-0ADA26 1069VCJEA-0ADA28 1069VCJEA-0ADA30					
1	T73209431	进气加热管	Air inlet heating pipe	1						
2	T33532148	螺母	Nut	1						
6	2666106	火焰预热塞	Flame glow plug	1						



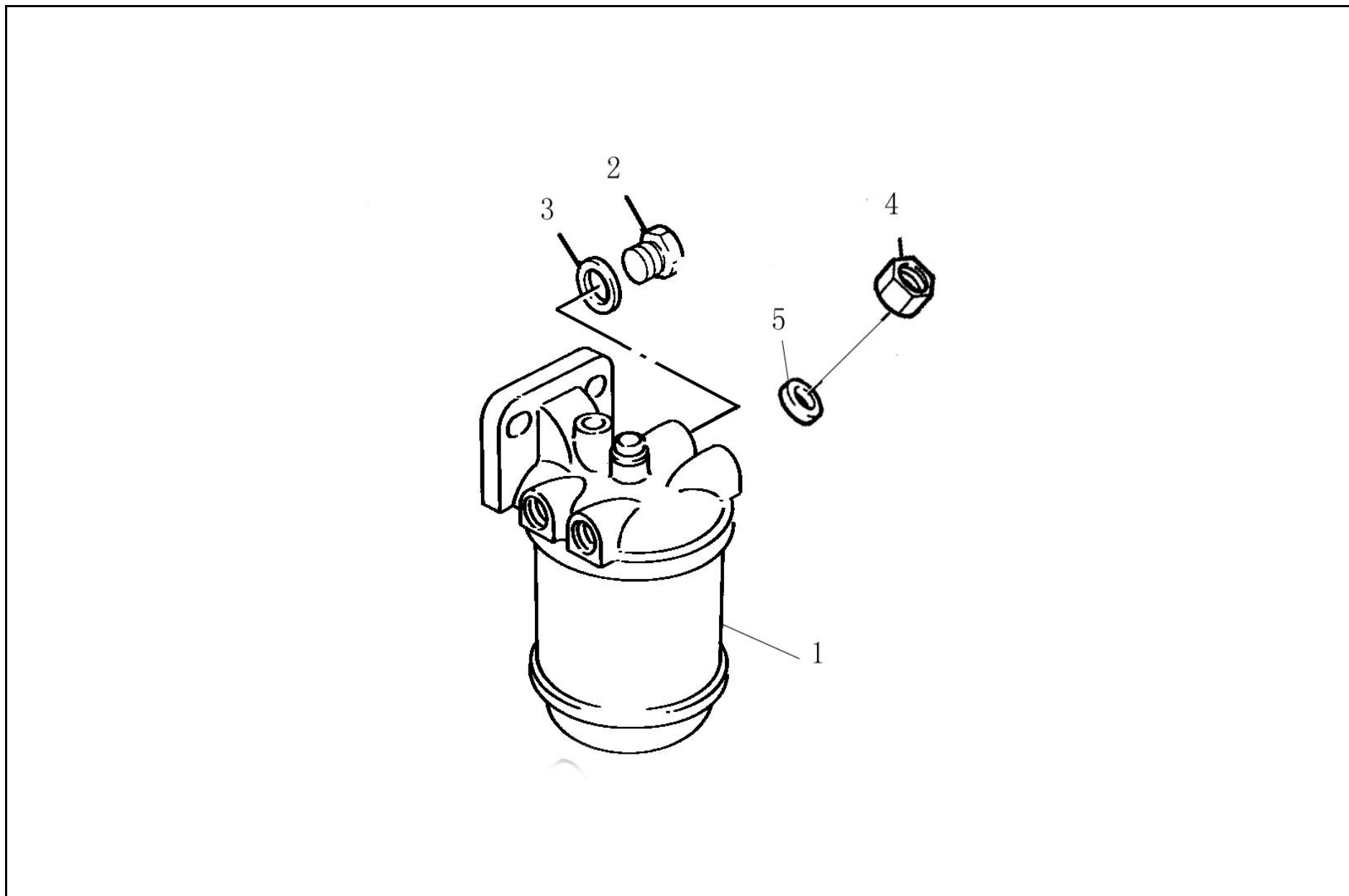
1S10691000146 发动机总成(燃油滤清器及油管) Engine assembly(Fuel filter and oil pipe)



1S10691000146 发动机总成(燃油滤清器及油管) Engine assembly(Fuel filter and oil pipe)

序号 No.	零件代号 Part No.	零件名称及规格. Part Name and Specification	适用车型及用量 (件) Applied Models and Quantity (Piece)						
			用量 Qty.	车型 Models	用量 Qty.	车型 Model	用量 Qty.	车型 Model	
	1S10691000146	发动机总成	Engine assembly	1					
1	T75004250	燃油滤清器	Fuel filter	1					
2	T2314J004	螺栓	Bolt	2					
3	T2318A604	螺母	Nut	2					
4	T2131A010	垫圈	Washer	2					
5	T75020006	支架	Bracket	1					
6	Q150B1035Q	螺栓	Bolt	2					
7	Q40310	弹垫	Elastic gasket	2					
8	T73217080	油管	Oil pipe	1					
9	T73209417	油管	Oil pipe	1	1069VCJEA-0ADA23				
10	T73209418	油管	Oil pipe	1	1069VCJEA-0ADA24				
11	T73302045	油管	Oil pipe	1	1069VCJEA-0ADA25				
12	T31726601	接头	Connector	1	1069VCJEA-0ADA26				
13	T0095344A	过油螺栓	Oil passing bolt	1	1069VCJEA-0ADA28				
14	T73208144	垫圈	Washer	2	1069VCJEA-0ADA30				
15	T0576113	螺母	Nut	1					
16	T0566004	橄榄体	Olivarybody	1					
17	T73302300	回油接头管部	Oil return pipe joint	1					

1S10691000146 发动机总成(燃油粗滤器) Engine assembly(Primary fuel filter)

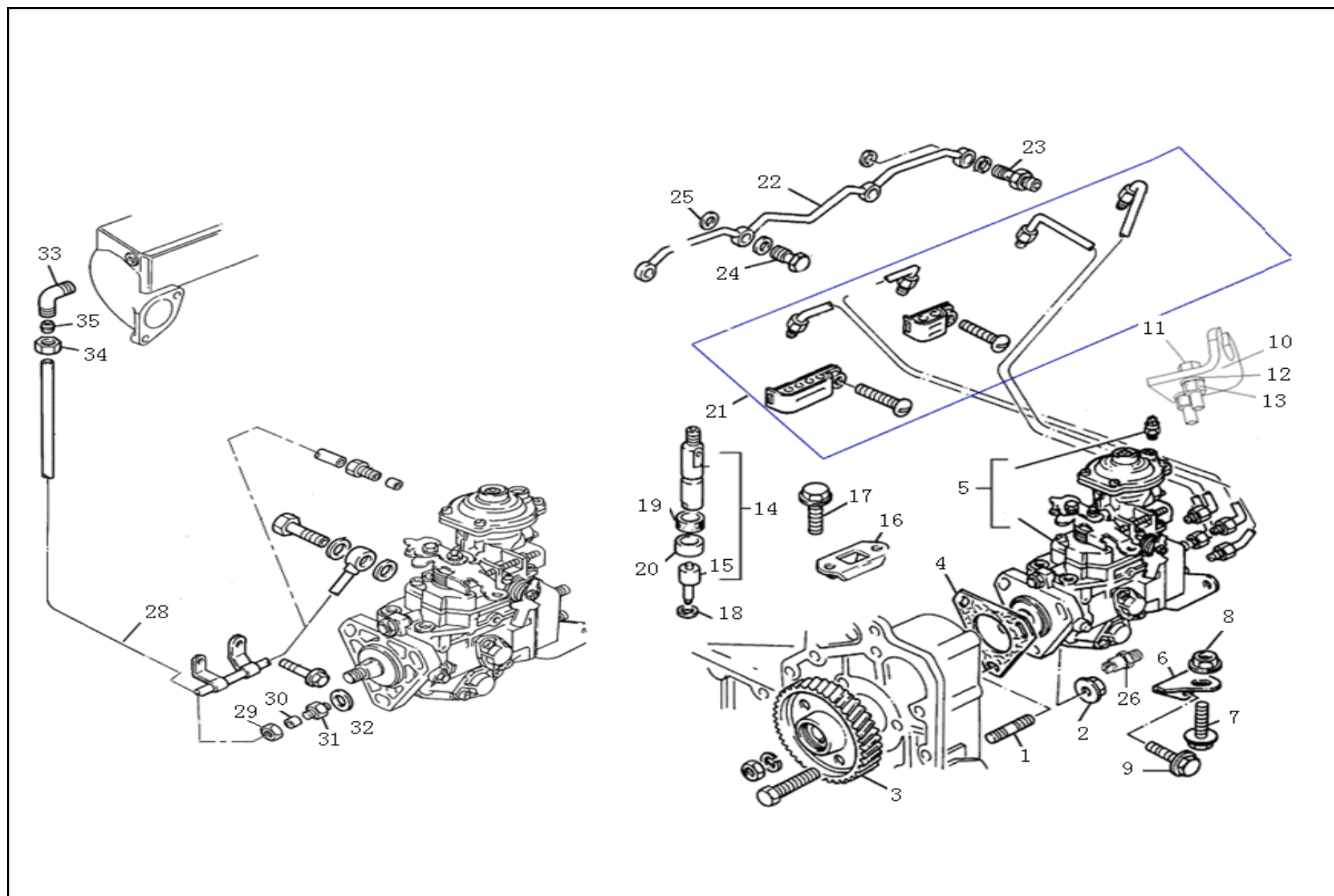


1S10691000146 发动机总成(燃油粗滤器) Engine assembly(Primary fuel filter)

序号 No.	零件代号 Part No.	零件名称及规格. Part Name and Specification	适用车型及用量 (件) Applied Models and Quantity (Piece)						
			用量 Qty.	车型 Models	用量 Qty.	车型 Model	用量 Qty.	车型 Model	
	1S10691000146	发动机总成	Engine assembly	1					
1	T75004270	燃油粗滤器	Primary fuel filter	1					
2	T0650204	螺堵	Screw plug	2					
3	T73274309	密封垫圈	Sealing washer	2					
4	T65003201	接头螺母	Collar nut	2					
5	T73274309	密封垫圈	Sealing washer	2					
					1069VCJEA-0ADA23				
					1069VCJEA-0ADA24				
					1069VCJEA-0ADA25				
					1069VCJEA-0ADA26				
					1069VCJEA-0ADA28				
					1069VCJEA-0ADA30				



1S10691000146 发动机总成(燃油喷射系统) Engine assembly(fuel injection system)



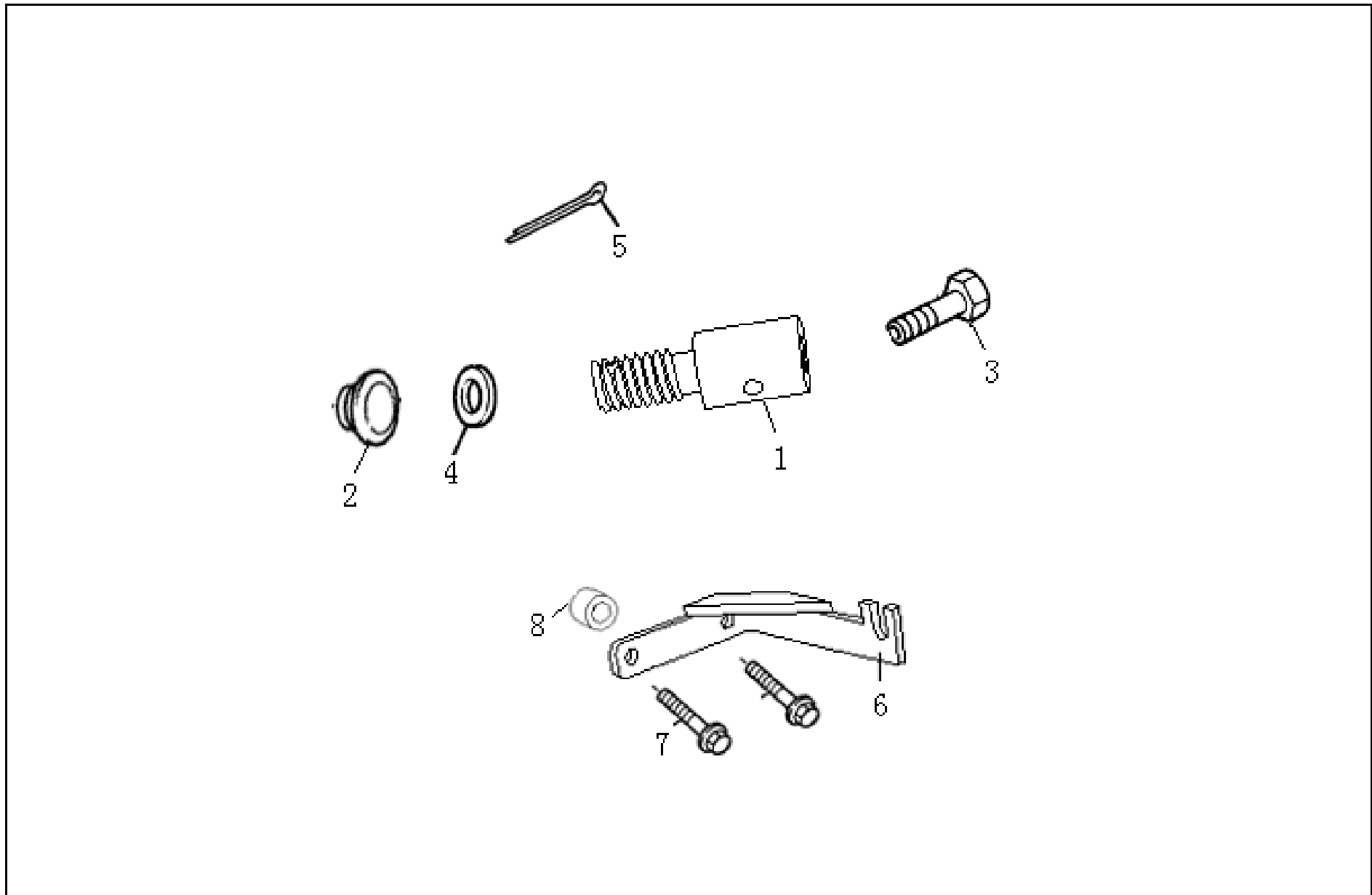
1S10691000146 发动机总成(燃油喷射系统) Engine assembly(fuel injection system)

序号 No.	零件代号 Part No.	零件名称及规格. Part Name and Specification	适用车型及用量 (件) Applied Models and Quantity (Piece)						
			用量 Qty.	车型 Models	用量 Qty.	车型 Model	用量 Qty.	车型 Model	
	1S10691000146	发动机总成	Engine assembly	1					
1	T2313M059	丝对	Screwnipple	3					
2	T2318A603	螺母	Nut	3					
3	T3117L141	齿轮	Gear	1					
4	T3682A008A	垫	Washer	1					
5	T2643H076B	喷油泵	Fuel injection pump	1					
6	T3645E008	支架	Bracket	1					
7	T2314H003	螺栓	Bolt	1					
8	T2318A603	螺母	Nut	1	1069VCJEA-0ADA23				
9	T2314J002	螺栓	Bolt	1	1069VCJEA-0ADA24				
10	T73201614	油门线支架	Throttle bracket	0	1069VCJEA-0ADA25				
11	GB5783-86	螺栓 M6×25	Bolt M6×25	0	1069VCJEA-0ADA26				
12	GB93-87D6	弹簧垫圈 6	Spring washer 6	0	1069VCJEA-0ADA28				
13	GB6170-86	螺母 M6	Nut M6	0	1069VCJEA-0ADA30				
14	T63301004	喷油器总成	Fuel injector assembly	4					
15	T2645F615	喷嘴	Nozzle	1					
16	T3662K002	压板	Pressure plate	4					
17	T2314H006	螺栓	Bolt	8					
18	T0921173	垫圈	Washer	4					
19	T33813129	隔圈	Spacer ring	4					
20	T33813131	防尘套	Dust cover	4					

1S10691000146 发动机总成(燃油喷射系统) Engine assembly(fuel injection system)

序号 No.	零件代号 Part No.	零件名称及规格. Part Name and Specification	适用车型及用量 (件) Applied Models and Quantity (Piece)						
			用量 Qty.	车型 Models	用量 Qty.	车型 Model	用量 Qty.	车型 Model	
21	T73302051	高压油管	High-pressure oil pipe	1	1069VCJEA-0ADA23 1069VCJEA-0ADA24 1069VCJEA-0ADA25 1069VCJEA-0ADA26 1069VCJEA-0ADA28 1069VCJEA-0ADA30				
22	T73302050	回油管	Oil return pipe	1					
23	T3355V002	过油螺栓	Oil passing bolt	1					
24	T3218R005	过油螺栓	Oil passing bolt	3					
25	T2411101	垫圈	Washer	8					
26	T2848A121A	温控开关	Temperature controlled switch	1					
28	T4126K118B	油管 (组件)	Pipe assy.	1					
29	T33225412	螺母	Nut	1					
30	T33811112	橄榄体	Olivarybody	1					
31	T3355M004	接头	Connector	1					
32	T0920106	垫圈	Washer	1					
33	T0201047	弯管	Elbow	1					

1S10691000146 发动机总成(油门及停车控制) Engine assembly(throttle and parking control)

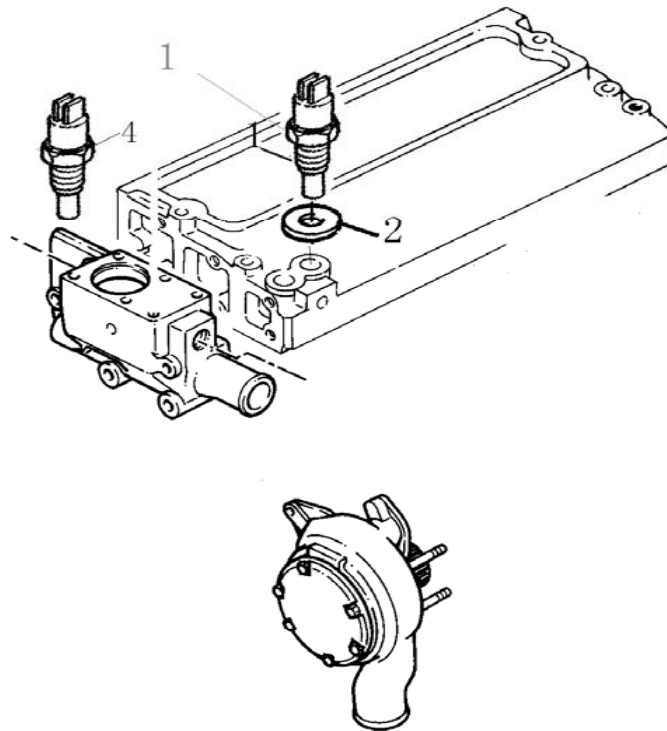


1S10691000146 发动机总成(油门及停车控制) Engine assembly(throttle and parking control)

序号 No.	零件代号 Part No.	零件名称及规格.	Part Name and Specification	适用车型及用量（件） Applied Models and Quantity (Piece)					
				用量 Qty.	车型 Models	用量 Qty.	车型 Model	用量 Qty.	车型 Model
	1S10691000146	发动机总成	Engine assembly	1					
1	T63202203	油门拉销	Throttle pin	1					
2	GB/T6179-1986M6	螺母	Nut	1					
3	GB/T818-2000	螺栓 M5X16	Bolt M5X16	1					
4	GB/T95-1985D6	垫圈	Washer	2					
					1069VCJEA-0ADA23 1069VCJEA-0ADA24 1069VCJEA-0ADA25 1069VCJEA-0ADA26 1069VCJEA-0ADA28 1069VCJEA-0ADA30				



1S10691000146 发动机总成(温度表及传感器) Engine assembly(thermometer and sensor)

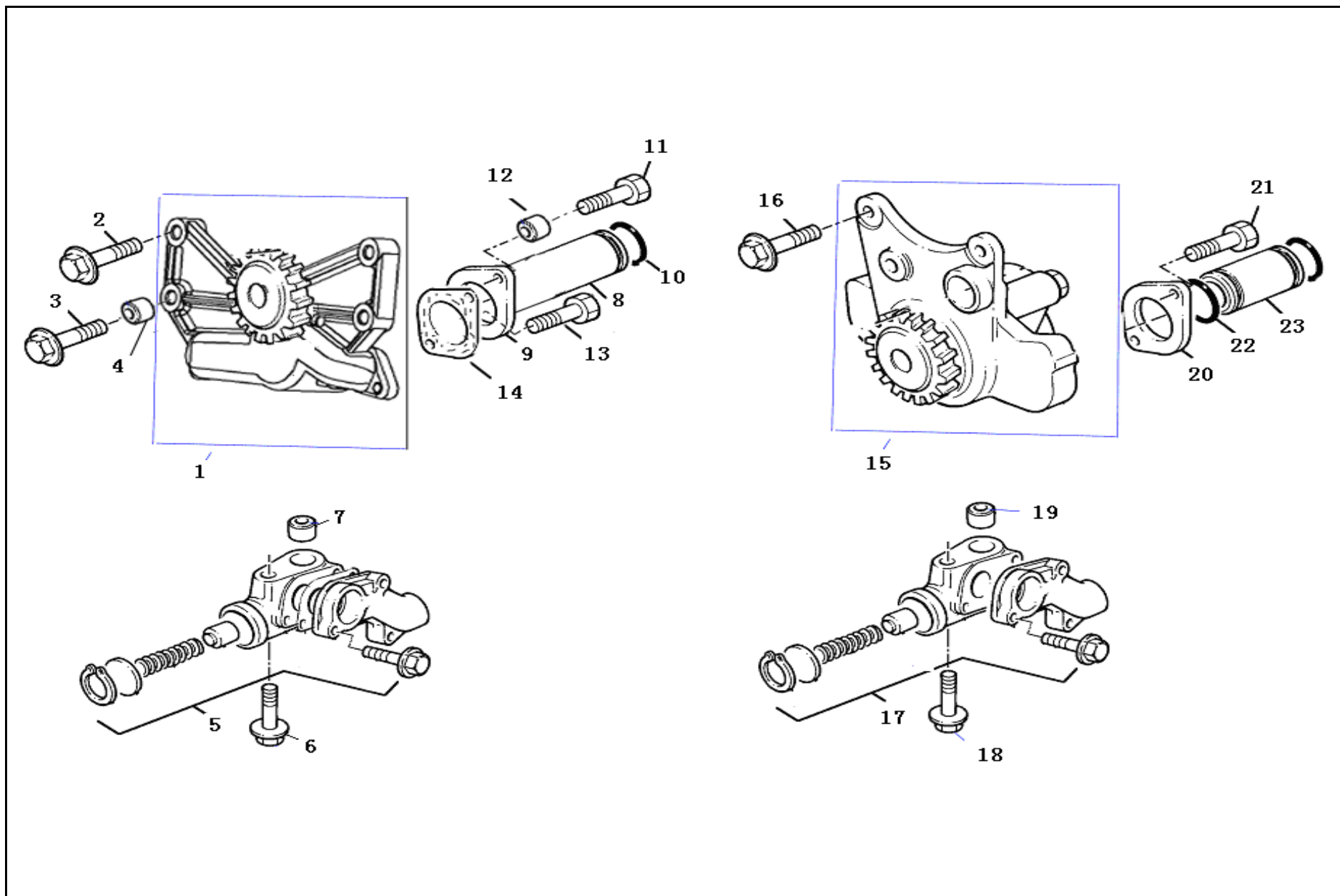


1S10691000146 发动机总成(温度表及传感器) Engine assembly(thermometer and sensor)

序号 No.	零件代号 Part No.	零件名称及规格. Part Name and Specification	Part Name and Specification	适用车型及用量 (件) Applied Models and Quantity (Piece)					
				用量 Qty.	车型 Models	用量 Qty.	车型 Model	用量 Qty.	车型 Model
	1S10691000146	发动机总成	Engine assembly	1					
1	T75201001/A	水温传感器	Water temperature sensor	1					
2	T65201005	水温传感器垫片	Water temperature sensor spacer	1					
					1069VCJEA-0ADA23 1069VCJEA-0ADA24 1069VCJEA-0ADA25 1069VCJEA-0ADA26 1069VCJEA-0ADA28 1069VCJEA-0ADA30				



1S10691000146 发动机总成(润滑油泵) Engine assembly(lubricating oil pump)

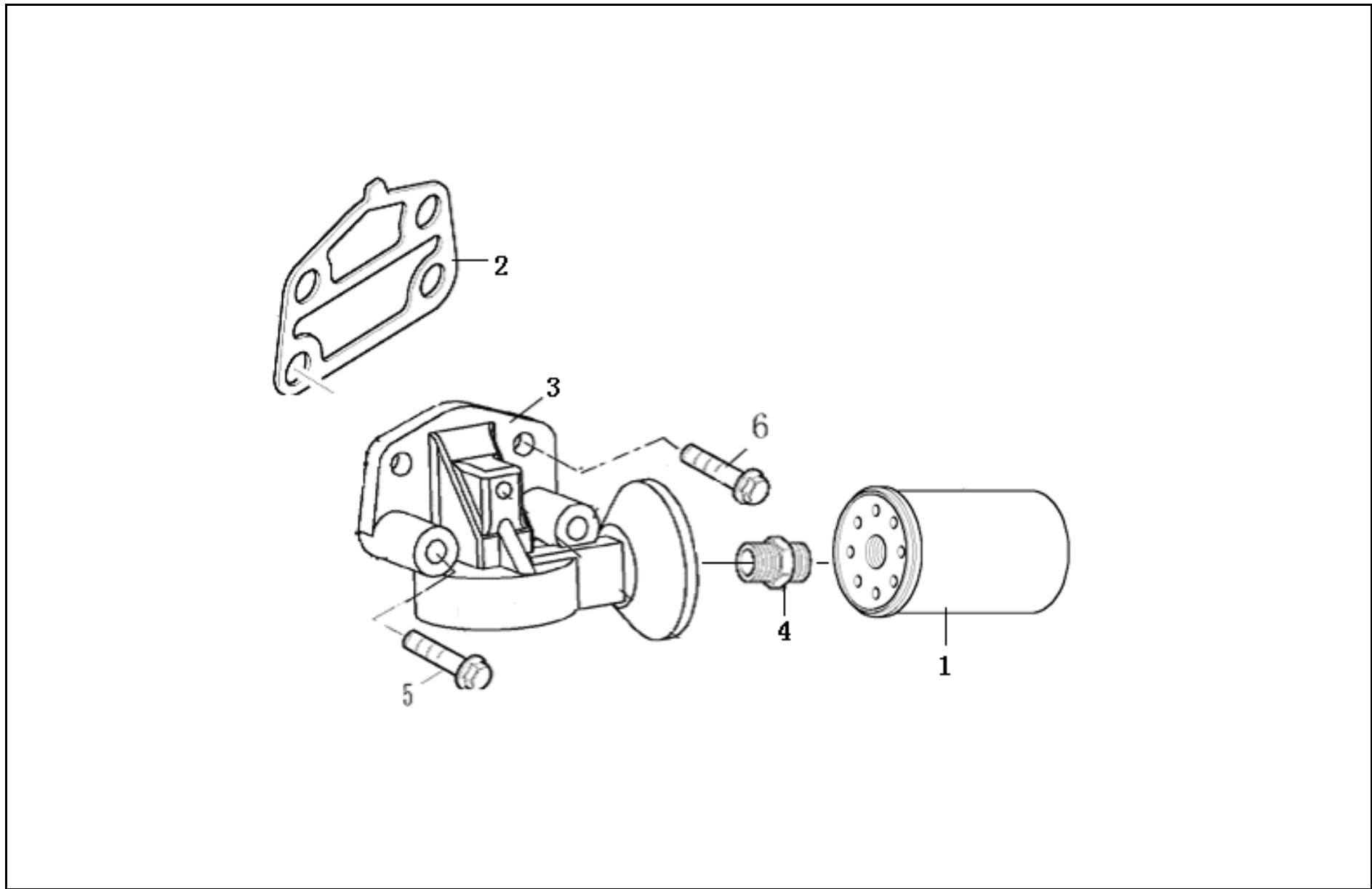


1S10691000146 发动机总成(润滑油泵) Engine assembly(lubricating oil pump)

序号 No.	零件代号 Part No.	零件名称及规格. Part Name and Specification	适用车型及用量 (件) Applied Models and Quantity (Piece)						
			用量 Qty.	车型 Models	用量 Qty.	车型 Model	用量 Qty.	车型 Model	
	1S10691000146	发动机总成	Engine assembly	1					
15	T4132F056C	机油泵	Oil pump	1					
16	T2314H005	螺栓	Bolt	3					
17	T4138A049	限压阀	Pressure limiting valve	1					
18	T2314J011	螺栓	Bolt	1					
19	T33137409	定位套	Locating sleeve	1					
20	T3748C011	法兰	Flange	1					
21	T2314H004	螺栓	Bolt	2					
22	T2415H201	O 型圈	O-ring	2					
23	T3343F012	油管	Oil pipe	1	1069VCJEA-0ADA23				
					1069VCJEA-0ADA24				
					1069VCJEA-0ADA25				
					1069VCJEA-0ADA26				
					1069VCJEA-0ADA28				
					1069VCJEA-0ADA30				



1S10691000146 发动机总成(润滑油滤清器)-1 Engine assembly(lubricating oil filter)-1

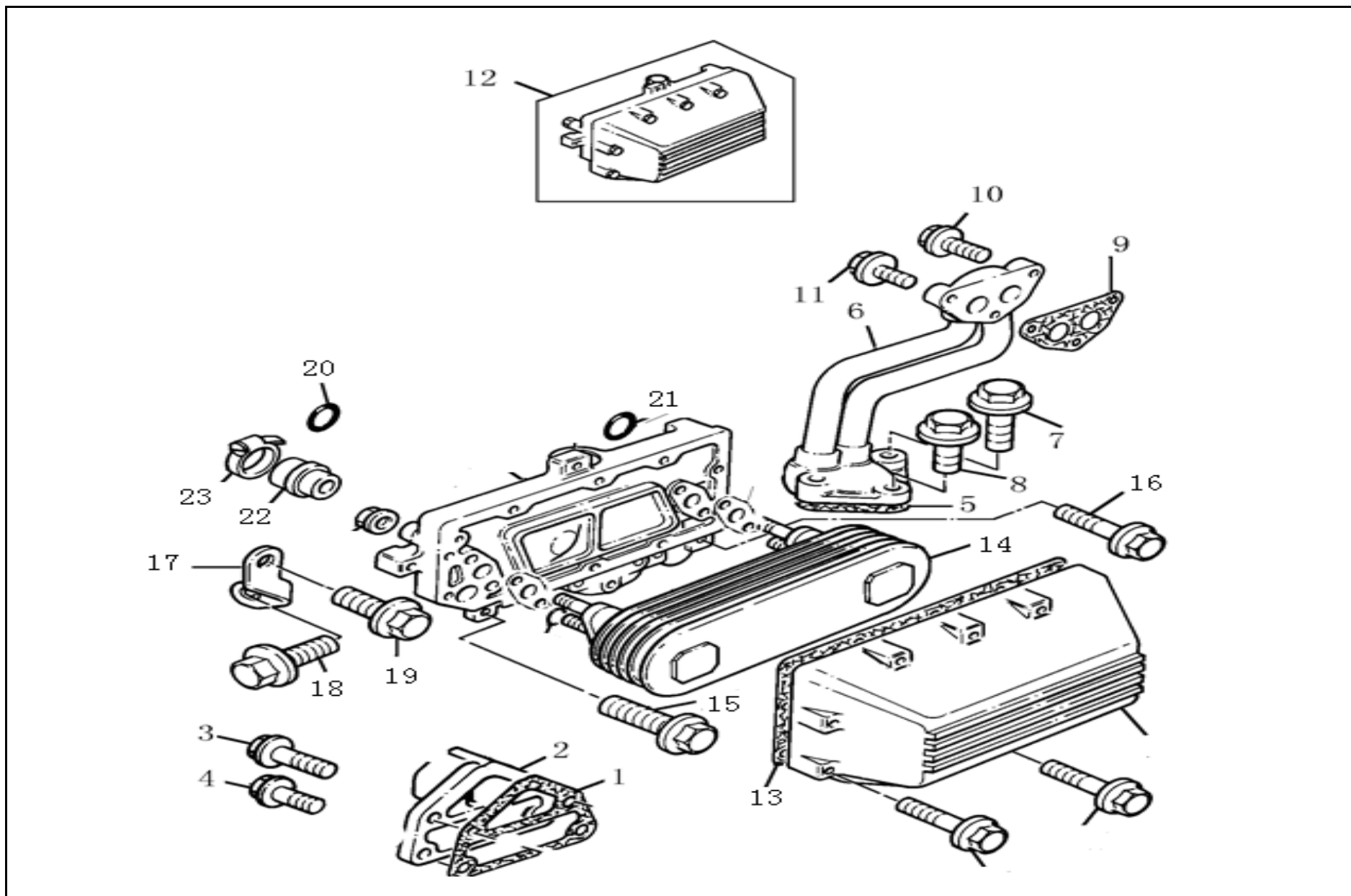


1S10691000146 发动机总成(润滑油滤清器)-1 Engine assembly(lubricating oil filter)-1

序号 No.	零件代号 Part No.	零件名称及规格. Part Name and Specification	适用车型及用量 (件) Applied Models and Quantity (Piece)						
			用量 Qty.	车型 Models	用量 Qty.	车型 Model	用量 Qty.	车型 Model	
	1S10691000146	发动机总成	Engine assembly	1	1069VCJEA-0ADA23 1069VCJEA-0ADA24 1069VCJEA-0ADA25 1069VCJEA-0ADA26 1069VCJEA-0ADA28 1069VCJEA-0ADA30				
1	T74105021	机油滤清器	Oil filter	1					
2	T3773P192A	机油滤清器座	Oil filter seat	1					
3	T33554128A	接头	Connector	1					
4	T3686T006A	垫片	Gasket	1					
5	T2314J014	螺栓	Bolt	1					



1S10691000146 发动机总成(润滑油滤清器)-2 Engine assembly(lubricating oil filter)-2



1S10691000146 发动机总成(润滑油滤清器)-2 Engine assembly(lubricating oil filter)-2

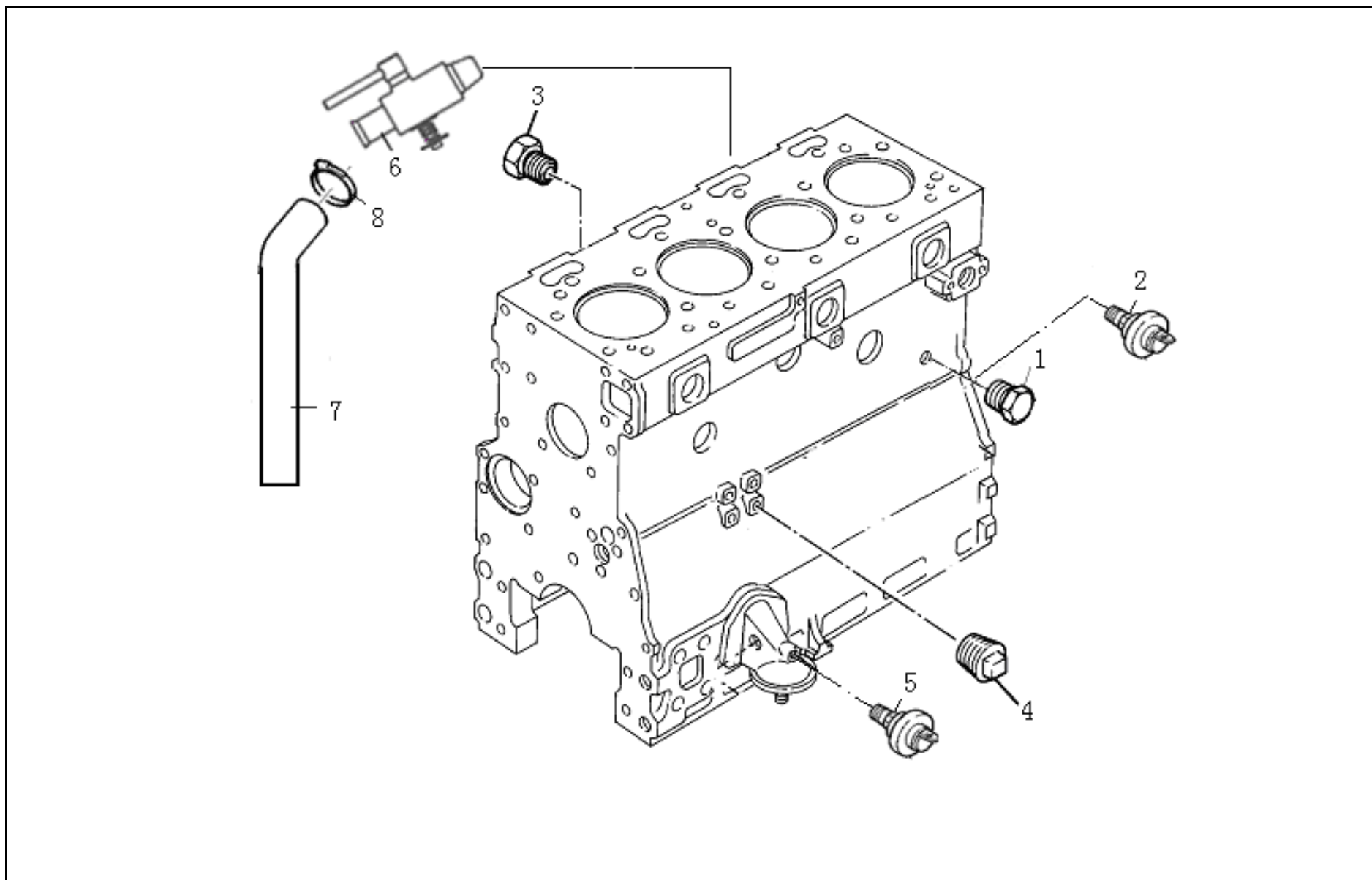
序号 No.	零件代号 Part No.	零件名称及规格. Part Name and Specification	适用车型及用量 (件) Applied Models and Quantity (Piece)						
			用量 Qty.	车型 Models	用量 Qty.	车型 Model	用量 Qty.	车型 Model	
	1S10691000146	发动机总成	Engine assembly	1					
1	T3686T006A	垫	Washer	1					
2	T3766P092	接头	Connector	1					
3	T2314J007	螺栓	Bolt	1					
4	T2314J003	螺栓	Bolt	1					
5	T3686A509A	垫	Washer	1					
6	T3576M005	油管 (组件)	Oil pipe (module)	1					
7	T2314H007	螺栓	Bolt	2					
8	T2314H005	螺栓	Bolt	1	1069VCJEA-0ADA23				
9	T3686A509A	垫	Washer	1	1069VCJEA-0ADA24				
10	T2314H007	螺栓	Bolt	2	1069VCJEA-0ADA25				
11	T2314H005	螺栓	Bolt	1	1069VCJEA-0ADA26				
12	T4314A022	油冷器 (组件)	Oil cooler (module)	1	1069VCJEA-0ADA28				
13	T3685F004	垫	Washer	1	1069VCJEA-0ADA30				
14	T2486A991	冷却板	Cooling plate	1					
15	T2314H007	螺栓	Bolt	2					
16	T2314H008	螺栓	Bolt	2					
17	T3645E003	支架	Bracket	1					
18	T2314H002	螺栓	Bolt	1					
19	T2314J002	螺栓	Bolt	1					
20	T2415B135	O 型圈	O-ring	1					

1S10691000146 发动机总成(润滑油滤清器)-2 Engine assembly(lubricating oil filter)-2

序号 No.	零件代号 Part No.	零件名称及规格. Part Name and Specification	适用车型及用量 (件) Applied Models and Quantity (Piece)						
			用量 Qty.	车型 Models	用量 Qty.	车型 Model	用量 Qty.	车型 Model	
21	T2415B148	O 型圈	O-ring	1					
22	T3383H002	接头	Connector	1					
23	T0180064A	喉箍	Hose clamp	2					
					1069VCJEA-0ADA23				
					1069VCJEA-0ADA24				
					1069VCJEA-0ADA25				
					1069VCJEA-0ADA26				
					1069VCJEA-0ADA28				
					1069VCJEA-0ADA30				



1S10691000146 发动机总成(润滑油压开关及油压表) Engine assembly(lubricating oil pressure switch and oil pressure gauge)

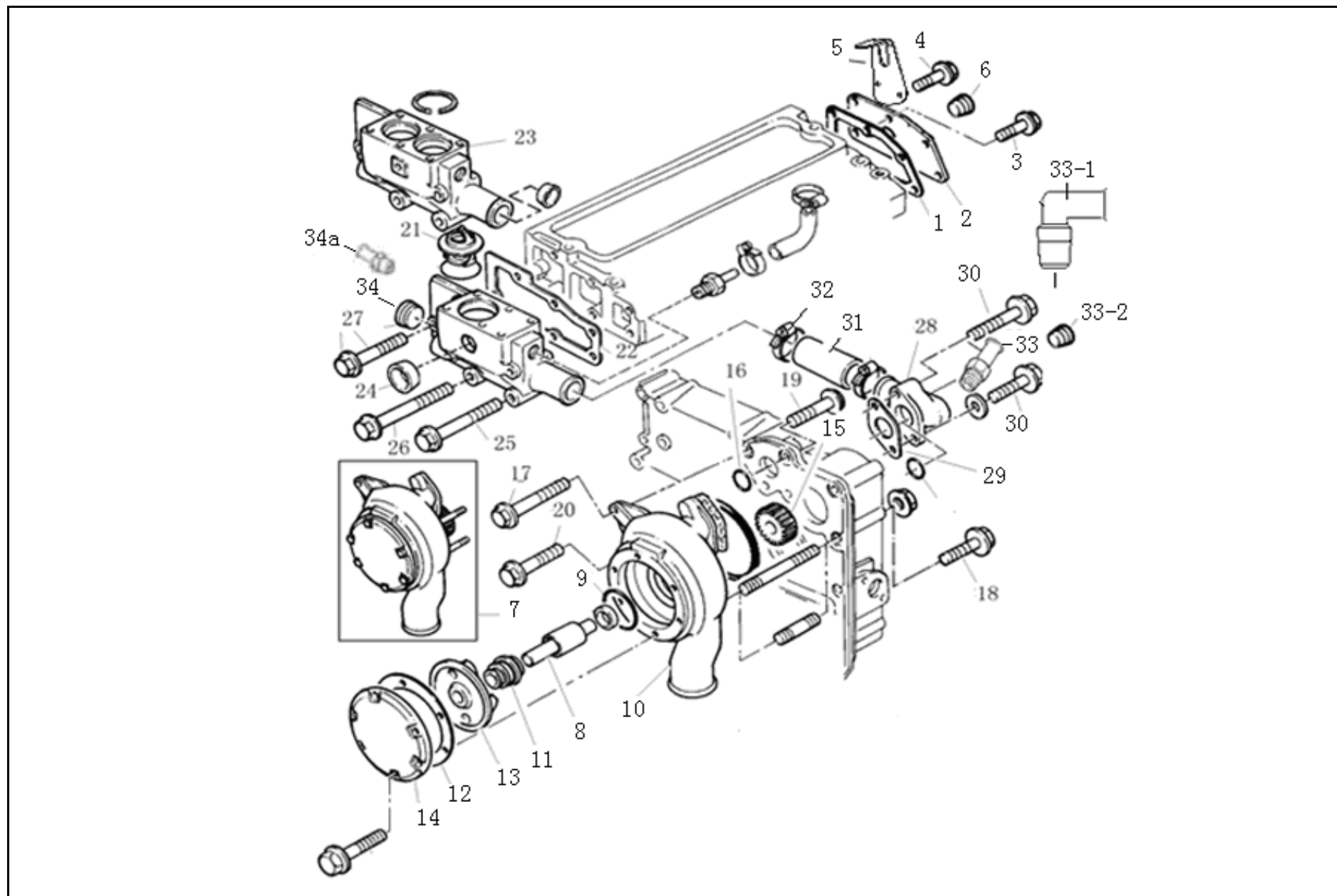


1S10691000146 发动机总成(润滑油压开关及油压表) Engine assembly(lubricating oil pressure switch and oil pressure gauge)

序号 No.	零件代号 Part No.	零件名称及规格. Part Name and Specification	适用车型及用量 (件) Applied Models and Quantity (Piece)						
			用量 Qty.	车型 Models	用量 Qty.	车型 Model	用量 Qty.	车型 Model	
	1S10691000146	发动机总成	Engine assembly	1					
1	T32161114	堵	Plug	1					
3	T32161114	堵	Plug	1					
4	T0650594	堵	Plug	1					
5	T65204004A	机油压力传感器	Oil pressure sensor	1					
					1069VCJEA-0ADA23				
					1069VCJEA-0ADA24				
					1069VCJEA-0ADA25				
					1069VCJEA-0ADA26				
					1069VCJEA-0ADA28				
					1069VCJEA-0ADA30				



1S10691000146 发动机总成(水泵及节温器) Engine assembly(water pump and thermostat)



1S10691000146 发动机总成(水泵及节温器) Engine assembly(water pump and thermostat)

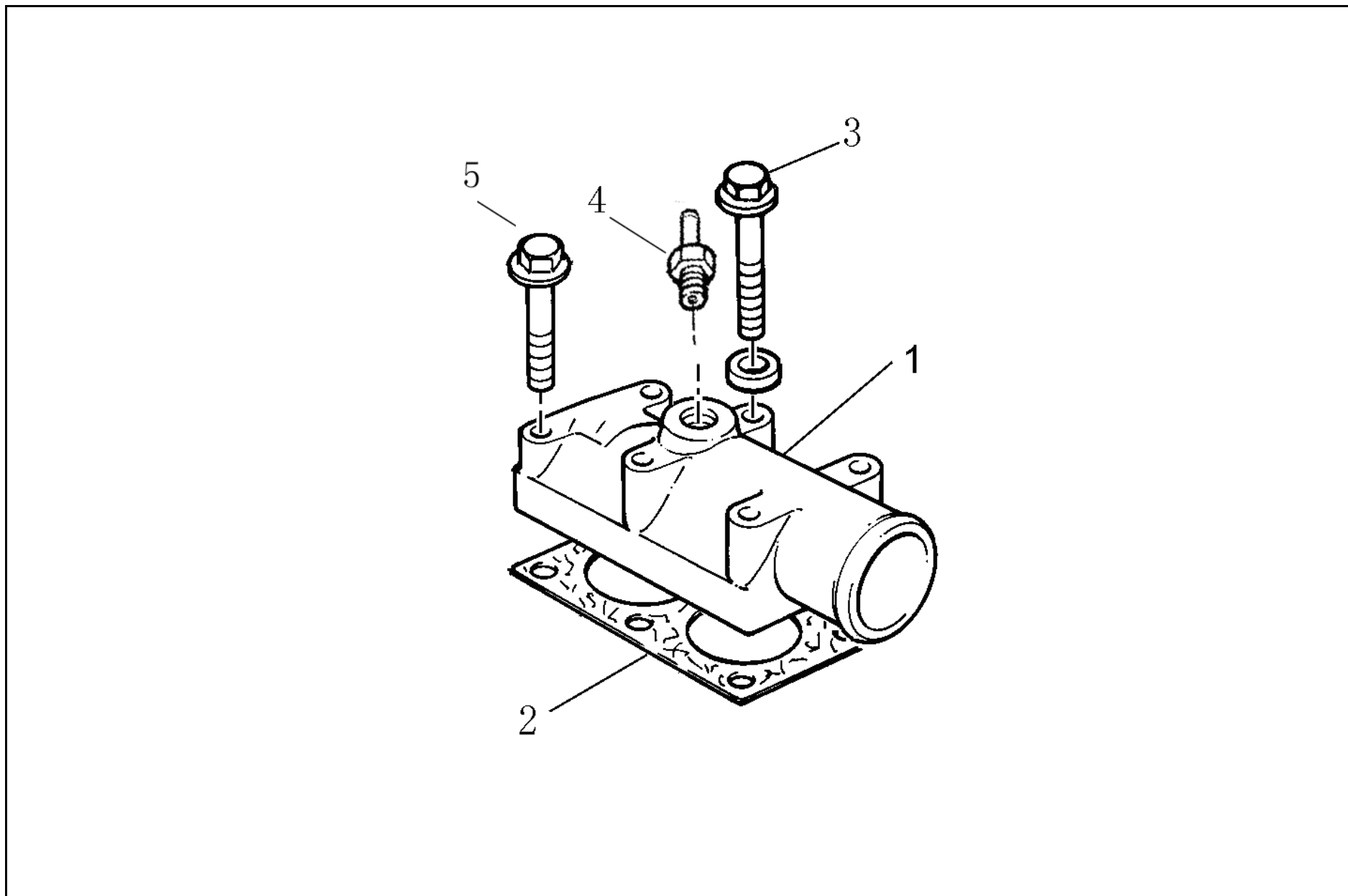
序号 No.	零件代号 Part No.	零件名称及规格. Part Name and Specification	适用车型及用量 (件) Applied Models and Quantity (Piece)						
			用量 Qty.	车型 Models	用量 Qty.	车型 Model	用量 Qty.	车型 Model	
	1S10691000146	发动机总成	Engine assembly	1					
1	T3685R005A	垫	Washer	1					
2	T3623K007	缸盖后盖板	Rear cover plate of cylinder cover	1					
3	T2314H002	螺栓	Bolt	1					
4	T2314H003	螺栓	Bolt	2					
7	T4131E018	水泵 (组件)	Water pump(assy)	1					
8	T2538624	轴	Shaft	1					
9	T2415B155	O 型圈	O-ring	1					
10	T3771D035	泵体	Pump body	1					
11	T2418M006	水封	Water seal	1	1069VCJEA-0ADA23				
12	T2418F405	密封垫	Sealing gasket	1	1069VCJEA-0ADA24				
13	T3746X055	叶轮	Impeller	1	1069VCJEA-0ADA25				
14	T3755E001	盖	Cover	1	1069VCJEA-0ADA26				
15	T3117A032	齿轮	Gear	1	1069VCJEA-0ADA28				
16	T2415H494	O 型圈	O-ring	1	1069VCJEA-0ADA30				
17	T2314H015	螺栓	Bolt	3					
18	T2314N043	螺栓	Bolt	1					
19	T2314H006	螺栓	Bolt	1					
20	T2314H006	螺栓	Bolt	1					
21	T74405004	节温器	Thermostat	2					
22	T3685F005A	垫	Washer	1					

1S10691000146 发动机总成(水泵及节温器) Engine assembly(water pump and thermostat)

序号 No.	零件代号 Part No.	零件名称及规格.	Part Name and Specification	适用车型及用量 (件) Applied Models and Quantity (Piece)					
				用量 Qty.	车型 Models	用量 Qty.	车型 Model	用量 Qty.	车型 Model
23	T3771K121E	节温器壳体	Thermostat housing	1	1069VCJEA-0ADA23 1069VCJEA-0ADA24 1069VCJEA-0ADA25 1069VCJEA-0ADA26 1069VCJEA-0ADA28 1069VCJEA-0ADA30				
24	T2431154	堵	Plug	1					
25	T2314J013	螺栓	Bolt	2					
26	T2314H015	螺栓	Bolt	1					
27	T2314H008	螺栓	Bolt	2					
28	T3764E061	过水三通	Water tee	1					
29	T3683N004A	垫	Washer	1					
30	T2314H004	螺栓 M8X25	Bolt M8X25	2					
31	T33854114	胶管	Hose	1					
32	T0180067A	卡箍	Clamp	2					



1S10691000146 发动机总成(水出口及入口) Engine assembly(water outlet and inlet)

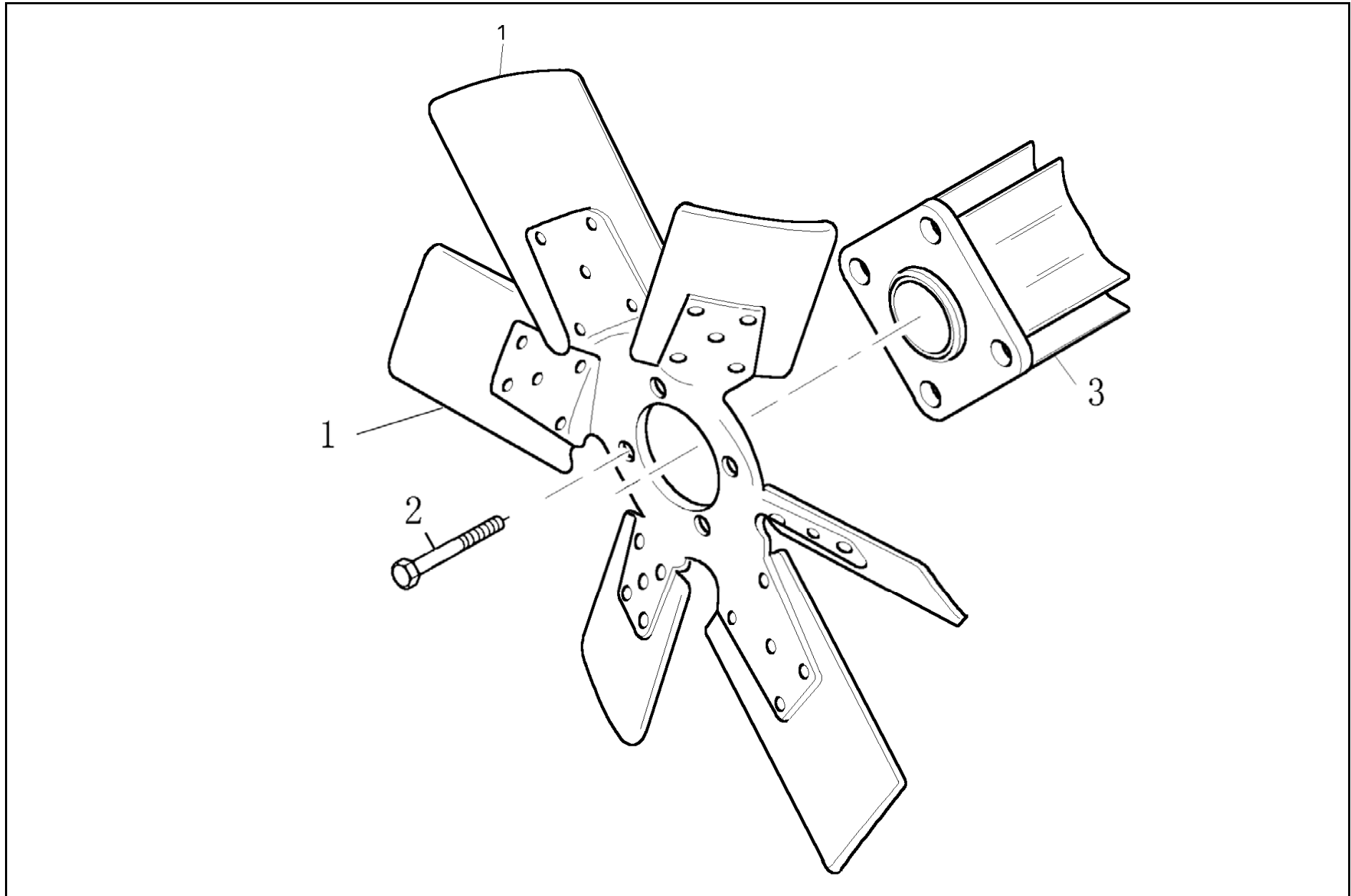


1S10691000146 发动机总成(水出口及入口) Engine assembly(water outlet and inlet)

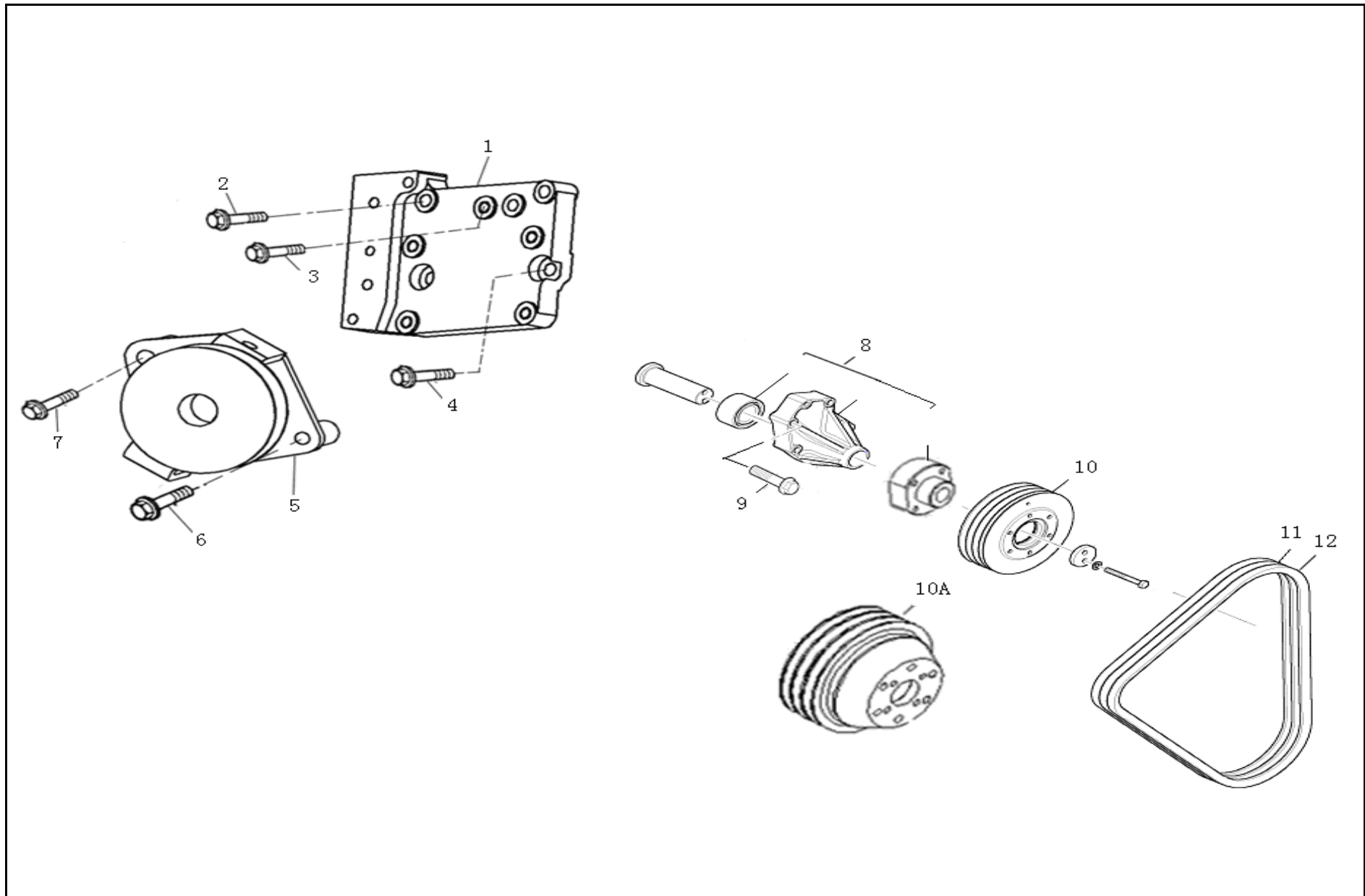
序号 No.	零件代号 Part No.	零件名称及规格. Part Name and Specification	适用车型及用量 (件) Applied Models and Quantity (Piece)							
			用量 Qty.	车型 Models	用量 Qty.	车型 Model	用量 Qty.	车型 Model		
	1S10691000146	发动机总成	Engine assembly	1	1069VCJEA-0ADA23 1069VCJEA-0ADA24 1069VCJEA-0ADA25 1069VCJEA-0ADA26 1069VCJEA-0ADA28 1069VCJEA-0ADA30					
1	T3776E002	出水口	Water outlet	1						
2	T3684A004A	垫	Washer	1						
3	T2314K161	螺栓	Bolt	4						
5	T2314H008	螺栓	Bolt	2						



1S10691000146 发动机总成(风扇) Engine assembly(fan)



1S10691000146 发动机总成(风扇驱动装置) Engine assembly(fan drive device)

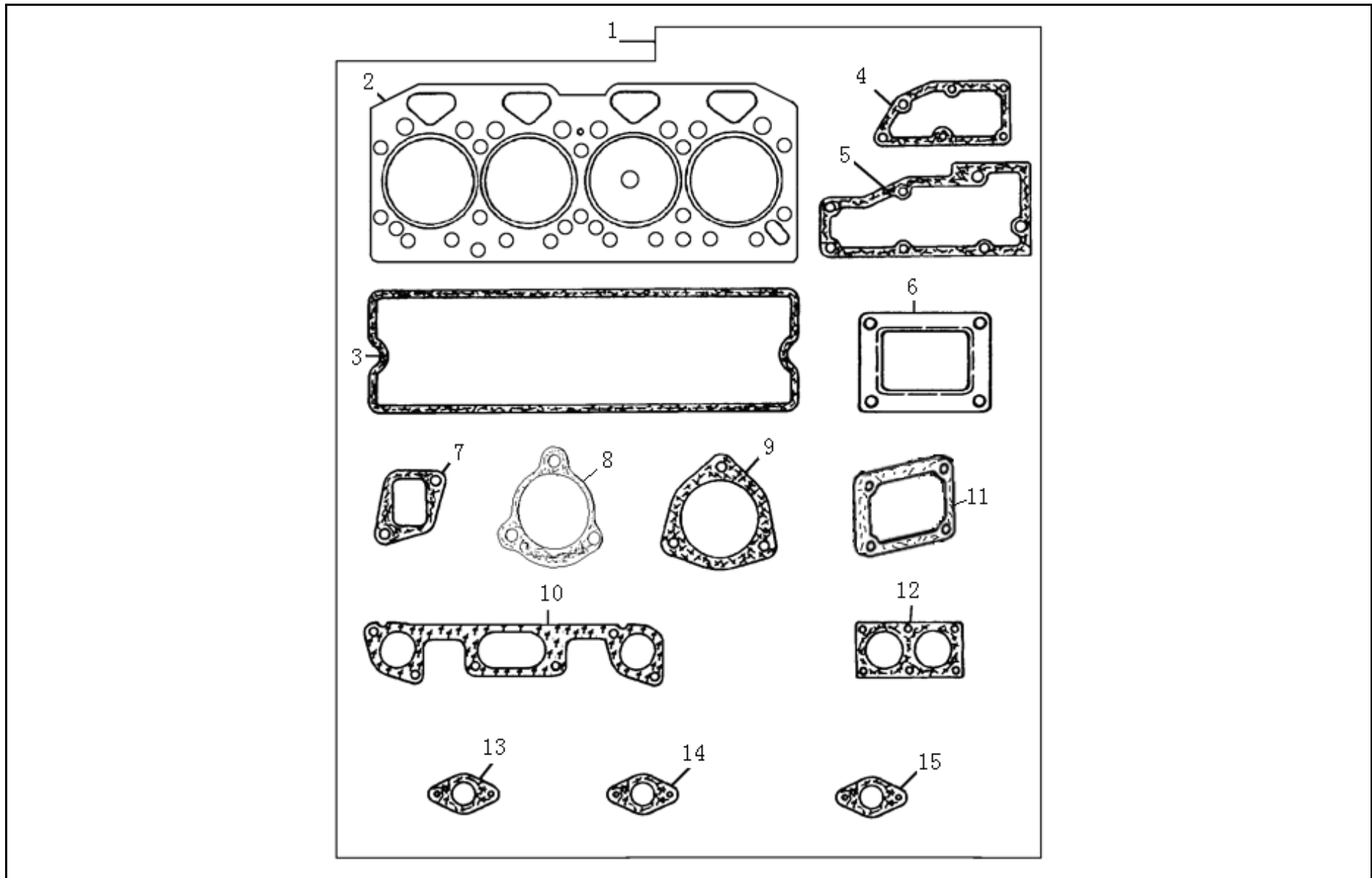


1S10691000146 发动机总成(风扇驱动装置) Engine assembly(fan drive device)

序号 No.	零件代号 Part No.	零件名称及规格. Part Name and Specification	适用车型及用量 (件) Applied Models and Quantity (Piece)						
			用量 Qty.	车型 Models	用量 Qty.	车型 Model	用量 Qty.	车型 Model	
	1S10691000146	发动机总成	Engine assembly	1	1069VCJEA-0ADA23 1069VCJEA-0ADA24 1069VCJEA-0ADA25 1069VCJEA-0ADA26 1069VCJEA-0ADA28 1069VCJEA-0ADA30				
8	T43904000	驱动风扇架	Drive fan frame	1					
9	T2314J014	螺栓	Bolt	4					
10A	T73902001	风扇皮带轮	Fan pulley	1					
11	T64401007	皮带长	Belt length	2					



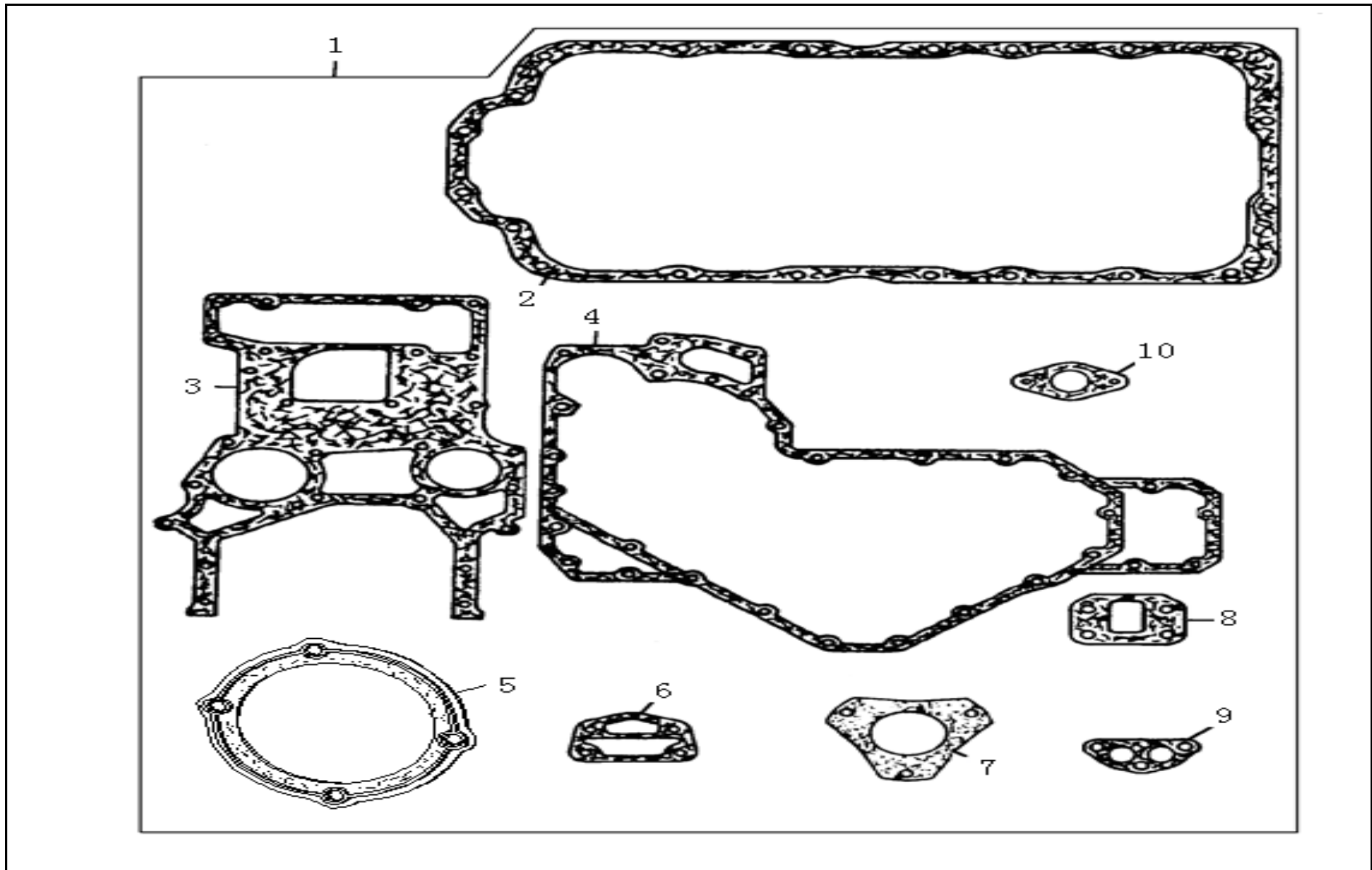
1S10691000146 发动机总成(垫及垫片)- (顶部维修组件) Engine assembly (pad and gasket)-(top service component)



1S10691000146 发动机总成(垫及垫片)- (顶部维修组件) Engine assembly (pad and gasket)-(top service component)

序号 No.	零件代号 Part No.	零件名称及规格.	Part Name and Specification	适用车型及用量 (件) Applied Models and Quantity (Piece)						
				用量 Qty.	车型 Models	用量 Qty.	车型 Model	用量 Qty.	车型 Model	
	1S10691000146	发动机总成	Engine assembly	1						
1	TU5LT0178	顶部垫片	Top gasket	1						
2	T3681E033D	缸盖垫	Cylinder head gasket	1						
3	T3681A021A	缸盖罩垫	Cylinder head hood pad	1						
4	T3685R005A	气缸盖后盖板垫	Rear cover plate pad of cylinder head	1						
5	T3685F005A	节温器壳体垫	Thermostat housing gasket	1						
6	TL681VF03	增压器-排气管	Turbocharger- exhaust pipe	1						
7	T3681V505	排气歧管垫	Exhaust manifold gasket	2						
8	T64703009	排气弯管-增压器	Exhaust elbow – turbocharger	1	1069VCJEA-0ADA23 1069VCJEA-0ADA24 1069VCJEA-0ADA25 1069VCJEA-0ADA26 1069VCJEA-0ADA28 1069VCJEA-0ADA30					
9	T3688C018	排气弯管-消音器	Exhaust elbow – muffler	1						
10	T3688C024	进气歧管垫	Air intake manifold washer	1						
11	T3684N009	进气弯管垫	Intake elbow	1						
12	T3684A004A	出水口垫	Outlet gasket	1						
13	T3683D008A	增压器回油管垫	Turbocharger oil return pipe gasket	1						
14	T36832144A	增压器回油管垫	Turbocharger oil return pipe gasket	1						
15	T3683N004A	过水三通垫	Overflow three way pad	1						

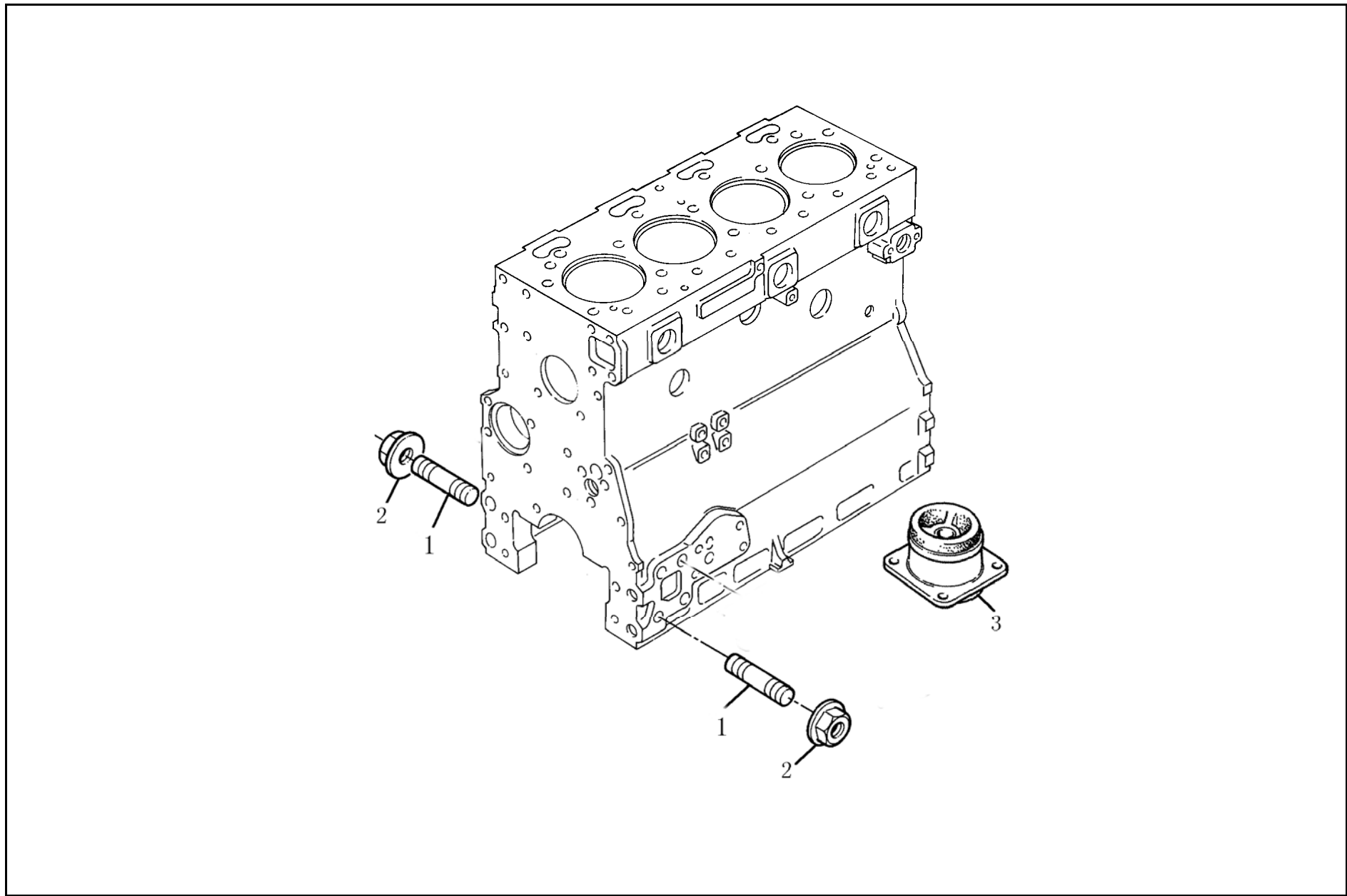
1S10691000146 发动机总成(垫及垫片)- (底部维修组件) Engine assembly (pad and gasket)-(bottom service component)



1S10691000146 发动机总成(垫及垫片)- (底部维修组件) Engine assembly (pad and gasket)-(bottom service component)

序号 No.	零件代号 Part No.	零件名称及规格. Part Name and Specification	适用车型及用量 (件) Applied Models and Quantity (Piece)						
			用量 Qty.	车型 Models	用量 Qty.	车型 Model	用量 Qty.	车型 Model	
	1S10691000146	发动机总成	Engine assembly	1					
1	TU5LB0051	底部垫片	Bottom gasket	1					
2	T36815736B	油底壳垫	Oil pan gasket	1					
3	T3681P009	正时齿轮时垫	Timing gear gasket	1					
4	T3681P029	前盖垫	Front cover gasket	1					
5	T3682H003A	检查盖垫	Inspection cover gasket	1					
6	T3686T006A	机油滤座垫	Oil filter base gasket	2					
7	T3682A008A	燃油泵垫	Fuel pump gasket	1					
8	T36851123	输油泵垫	Oil feed pump gasket	1	1069VCJEA-0ADA23				
9	T3686A509A	机油管垫	Oil pipe gasket	1	1069VCJEA-0ADA24				
10	T36832137A	吸油管垫	Oil suction tube gasket	1	1069VCJEA-0ADA25				
					1069VCJEA-0ADA26				
					1069VCJEA-0ADA28				
					1069VCJEA-0ADA30				

1S10691000146 发动机总成(支撑) Engine assembly(support)

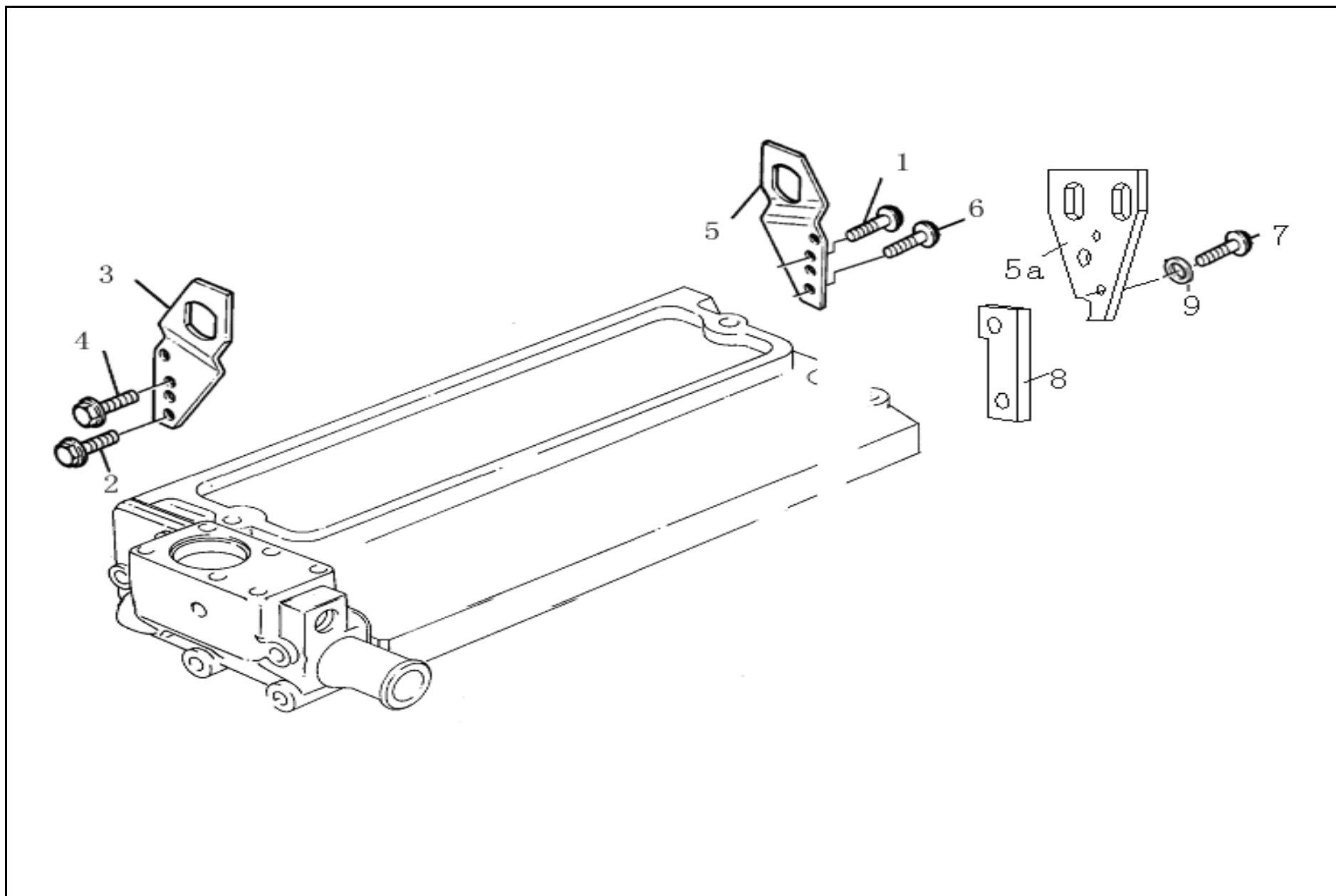


1S10691000146 发动机总成(支撑) Engine assembly(support)

序号 No.	零件代号 Part No.	零件名称及规格. Part Name and Specification	用量 Qty.	适用车型及用量 (件) Applied Models and Quantity (Piece)						
				车型 Models	用量 Qty.	车型 Model	用量 Qty.	车型 Model	用量 Qty.	
	1S10691000146	发动机总成	1							
1	T2313C101	丝对	8							
2	T2318A605	螺母	8							
3	T66001008A	前橡胶减振块	2							



1S10691000146 发动机总成(发动机提升) Engine assembly(engine hoisting)

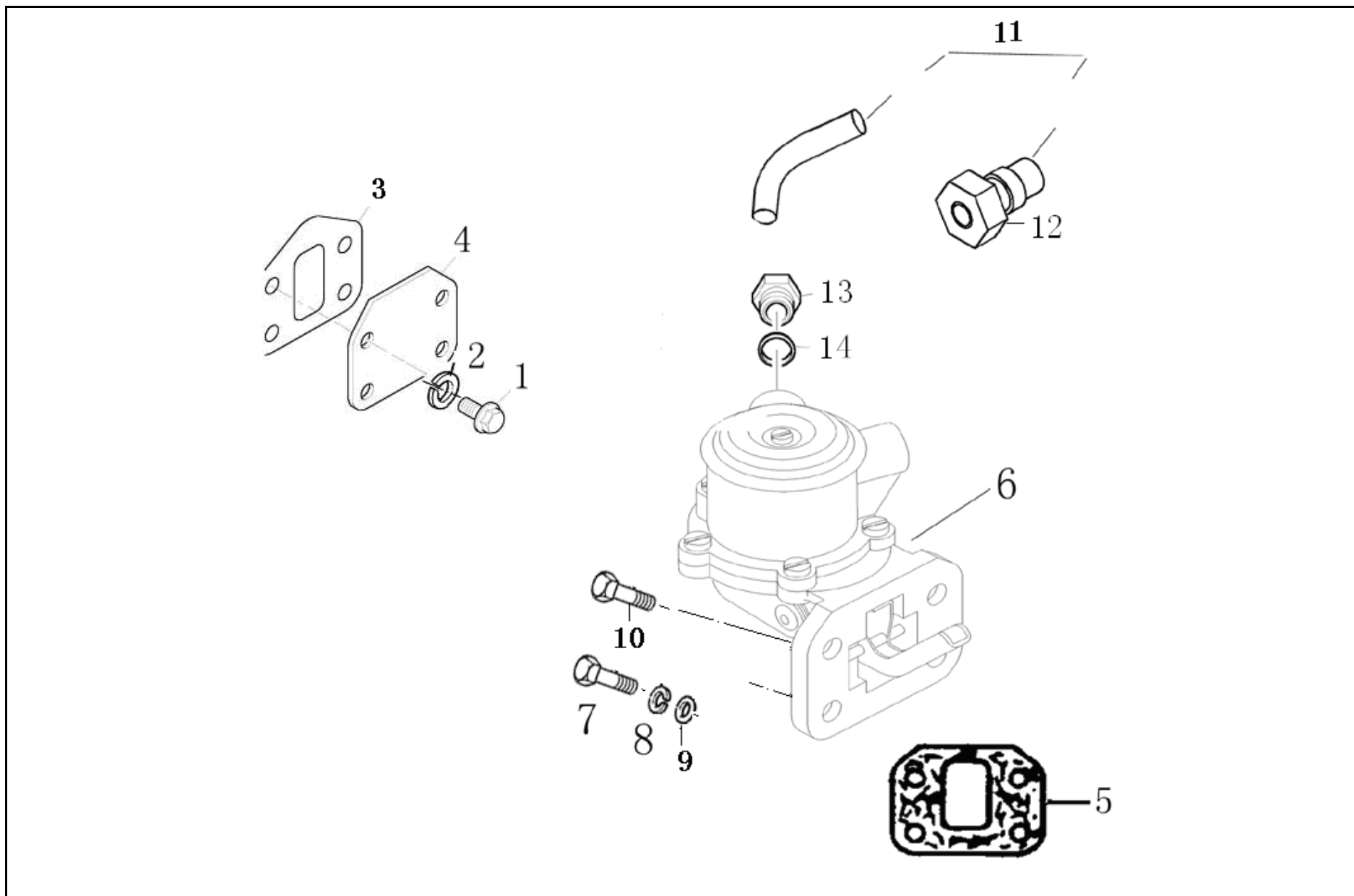


1S10691000146 发动机总成(发动机提升) Engine assembly(engine hoisting)

序号 No.	零件代号 Part No.	零件名称及规格. Part Name and Specification	适用车型及用量 (件) Applied Models and Quantity (Piece)						
			用量 Qty.	车型 Models	用量 Qty.	车型 Model	用量 Qty.	车型 Model	
	1S10691000146	发动机总成	Engine assembly	1					
3	T3621X007	吊耳	Lifting eye	1					
4	T2314J003	螺栓	Bolt	2					
5	T64703006	吊耳	Lifting eye	1					
7	GB5783-86M10X35	螺栓	Bolt	2					
8	T64703007	隔块	Spacer block	1					
9	GB93-87D10	垫圈 10	Washer 10	2					
					1069VCJEA-0ADA23				
					1069VCJEA-0ADA24				
					1069VCJEA-0ADA25				
					1069VCJEA-0ADA26				
					1069VCJEA-0ADA28				
					1069VCJEA-0ADA30				



1S10691000146 发动机总成(提升泵) Engine assembly(lifting pump)

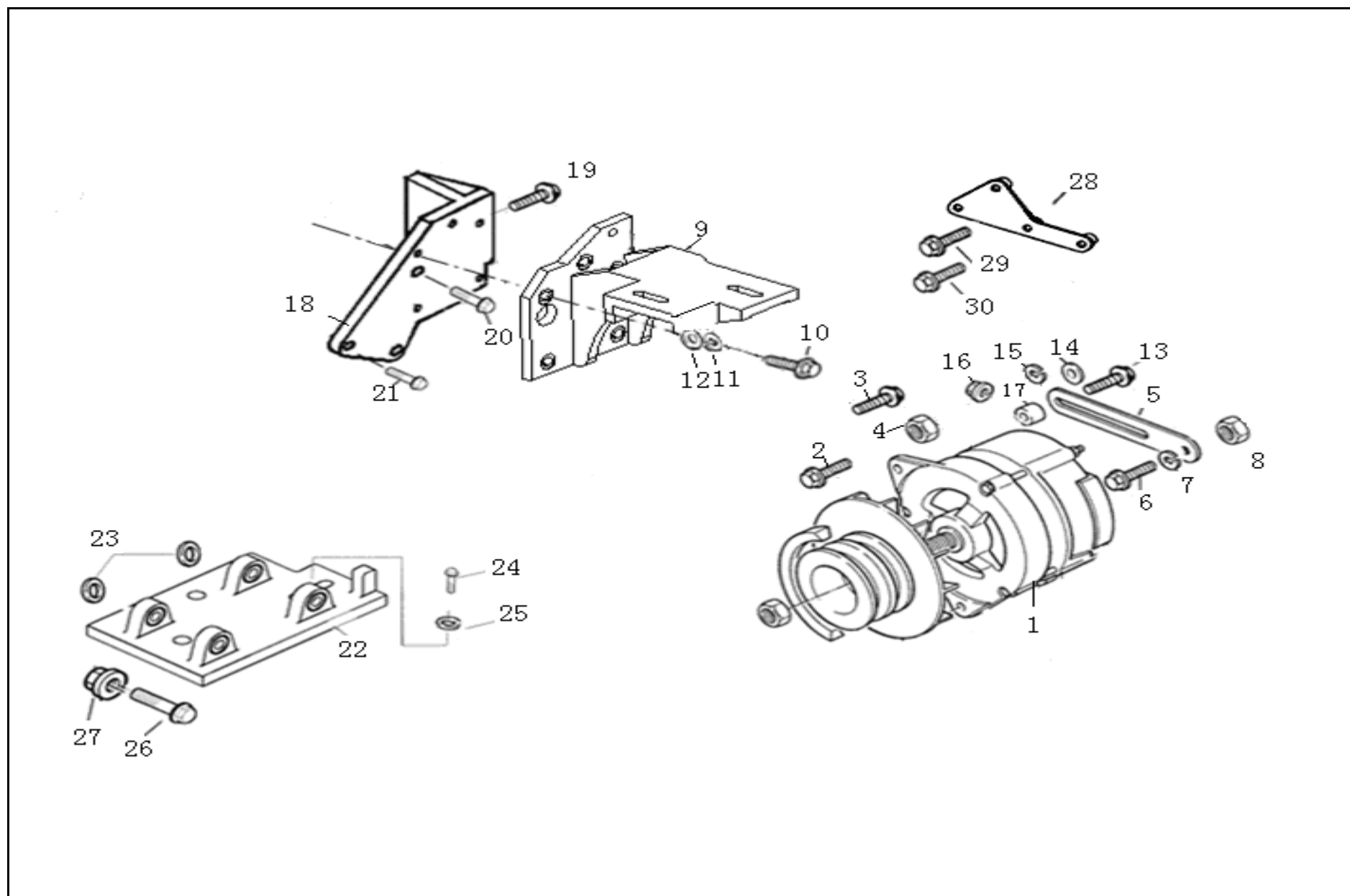


1S10691000146 发动机总成(提升泵) Engine assembly(lifting pump)

序号 No.	零件代号 Part No.	零件名称及规格. Part Name and Specification	适用车型及用量 (件) Applied Models and Quantity (Piece)						
			用量 Qty.	车型 Models	用量 Qty.	车型 Model	用量 Qty.	车型 Model	
	1S10691000146	发动机总成	Engine assembly	1					
6	T2641A082	提升泵	Lifting pump	1					
7	T2314H033	螺栓	Bolt	2					
8	Q40308	弹垫 8	Spring washer 8	2					
9	Q40008	小垫圈 8	Small washer 8	2					
10	T70-85M8X20	螺栓	Bolt	2					
12	T733140001	进油接头部	Oil inlet joint	1					
13	T73201648	过油螺栓	Oil passing bolt	1					
14	T73274309	密封垫圈	Sealing washer	2					
					1069VCJEA-0ADA23				
					1069VCJEA-0ADA24				
					1069VCJEA-0ADA25				
					1069VCJEA-0ADA26				
					1069VCJEA-0ADA28				
					1069VCJEA-0ADA30				



1S10691000146 发动机总成(交流发电机及发电机) Engine assembly(alternator and generator)



1S10691000146 发动机总成(交流发电机及发电机) Engine assembly(alternator and generator)

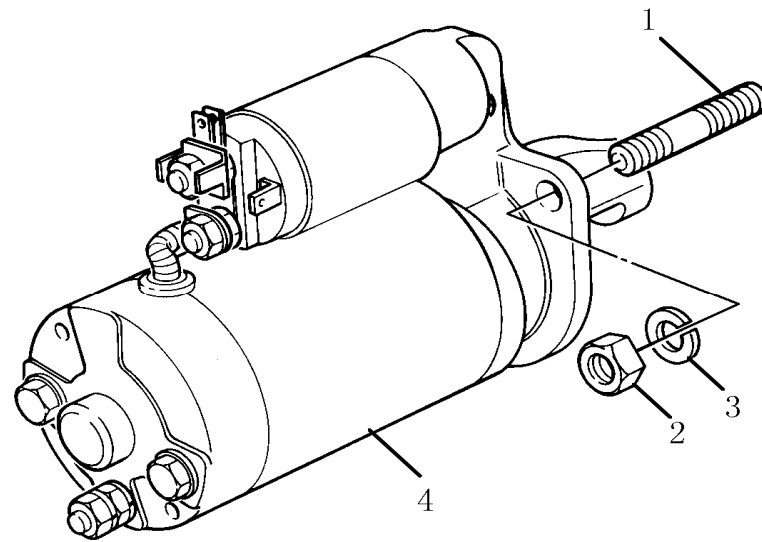
序号 No.	零件代号 Part No.	零件名称及规格. Part Name and Specification	适用车型及用量 (件) Applied Models and Quantity (Piece)						
			用量 Qty.	车型 Models	用量 Qty.	车型 Model	用量 Qty.	车型 Model	
	1S10691000146	发动机总成	Engine assembly	1					
1	T64501023B	发电机	Generator	1					
2	T2314H007	螺栓 M8X40	Bolt M8X40	1					
3	T2314H008	螺栓 M8X45	Bolt M8X45	1					
4	Q340B08	螺母 M8	Nut M8	2					
5	T74502127	发电机调节杆	Generator adjusting arm	1					
6	GB5783-86	螺栓 M8X35	Bolt M8X35	1					
7	GB97.1-85D8	平垫圈 8	Flat washer 8	1					
8	GB6170-86M8	螺母 M8	Nut M8	1					
9	T745030015	发电机支架	Generator support	1	1069VCJEA-0ADA23 1069VCJEA-0ADA24 1069VCJEA-0ADA25 1069VCJEA-0ADA26 1069VCJEA-0ADA28 1069VCJEA-0ADA30				
10	GB5783-86	螺栓 M10X30	Bolt M10X30	4					
11	GB93-87D10	弹簧垫圈 10	Spring washer 10	4					
12	GB97.1-85D10	平垫圈 10	Flat washer 10	4					
13	T2314H006	螺栓 M8X35	Bolt M8X35	1					
14	T0920467	平垫圈 8	Flat washer 8	1					
15	GB93-87D8	弹簧垫圈 8	Spring washer 8	1					
16	GB6170-86M8	螺母 M8	Nut M8	1					
18	T64505002C	空调机支架板	A/C support bracket	1					
19	T2314H014	螺栓 M8X75	Bolt M8X75	2					
20	T2314J005	螺栓 M10X35	Bolt MM10X35	1					
21	T2314H006	螺栓 M8X35	Bolt M8X35	1					

1S10691000146 发动机总成(交流发电机及发电机) Engine assembly(alternator and generator)

序号 No.	零件代号 Part No.	零件名称及规格. Part Name and Specification	适用车型及用量 (件) Applied Models and Quantity (Piece)						
			用量 Qty.	车型 Models	用量 Qty.	车型 Model	用量 Qty.	车型 Model	
22	T745110024	空调机调节板	A/C adjusting plate	1					
23	T64504006	调节圈	Adjusting ring	2					
24	Q150B1030Q	螺栓 M10X30	Bolt M10X30	1					
24	T2314J003	螺栓 M10X30	Bolt M10X30	2					
25	GB97.1-85D10	平垫圈 10	Flat washer 10	1					
26	83-86M10X45	调节螺栓	Adjusting bolt	1					
27	Q340B10	螺母 M10	Nut M10	1					
28	T74502128	发电机调节杆支架	Adjusting bracket of generator	1					
29	T2314K161	螺栓 M8X60	Bolt M8X60	2					
30	T2314H019	螺栓 M8X110	Bolt M8X110	1	1069VCJEA-0ADA23				
					1069VCJEA-0ADA24				
					1069VCJEA-0ADA25				
					1069VCJEA-0ADA26				
					1069VCJEA-0ADA28				
					1069VCJEA-0ADA30				



1S10691000146 发动机总成(起动电机) Engine assembly (start motor)

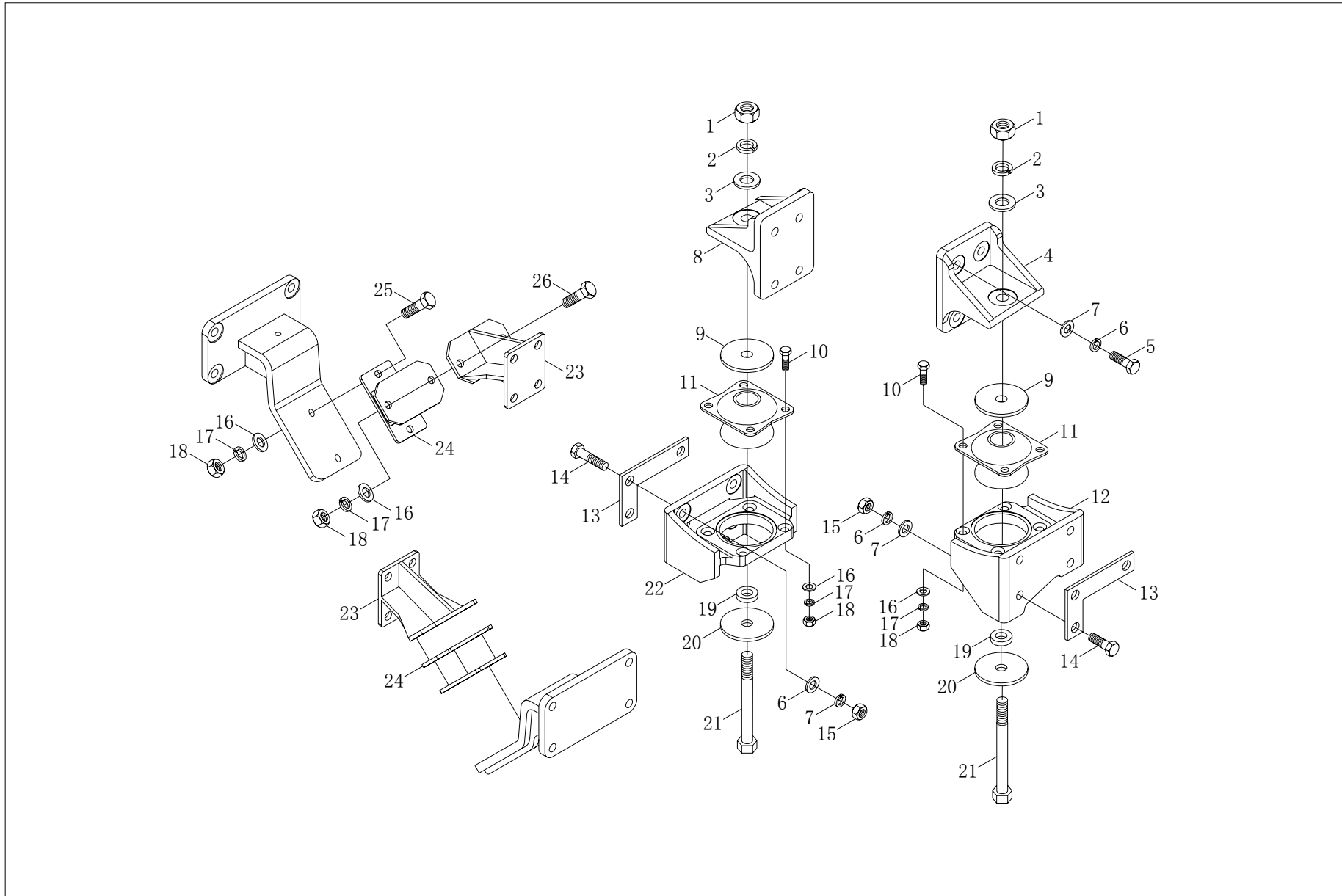


1S10691000146 发动机总成(起动机) Engine assembly (start motor)

序号 No.	零件代号 Part No.	零件名称及规格. Part Name and Specification	适用车型及用量 (件) Applied Models and Quantity (Piece)						
			用量 Qty.	车型 Models	用量 Qty.	车型 Model	用量 Qty.	车型 Model	
	1S10691000146	发动机总成	Engine assembly	1	1069VCJEA-0ADA23 1069VCJEA-0ADA24 1069VCJEA-0ADA25 1069VCJEA-0ADA26 1069VCJEA-0ADA28 1069VCJEA-0ADA30				
1	T2313C078	双头螺栓	Stud bolt	3					
2	GB6170-86M10	螺母 M10	Nut M10	3					
3	GB93-87D10	弹簧垫圈 10	Spring washer 10	3					
4	T73701017	起动机	Start motor	1					



1S10691010113 动力总成悬置 Power train suspension



1S10691010113 动力总成悬置 Power train suspension

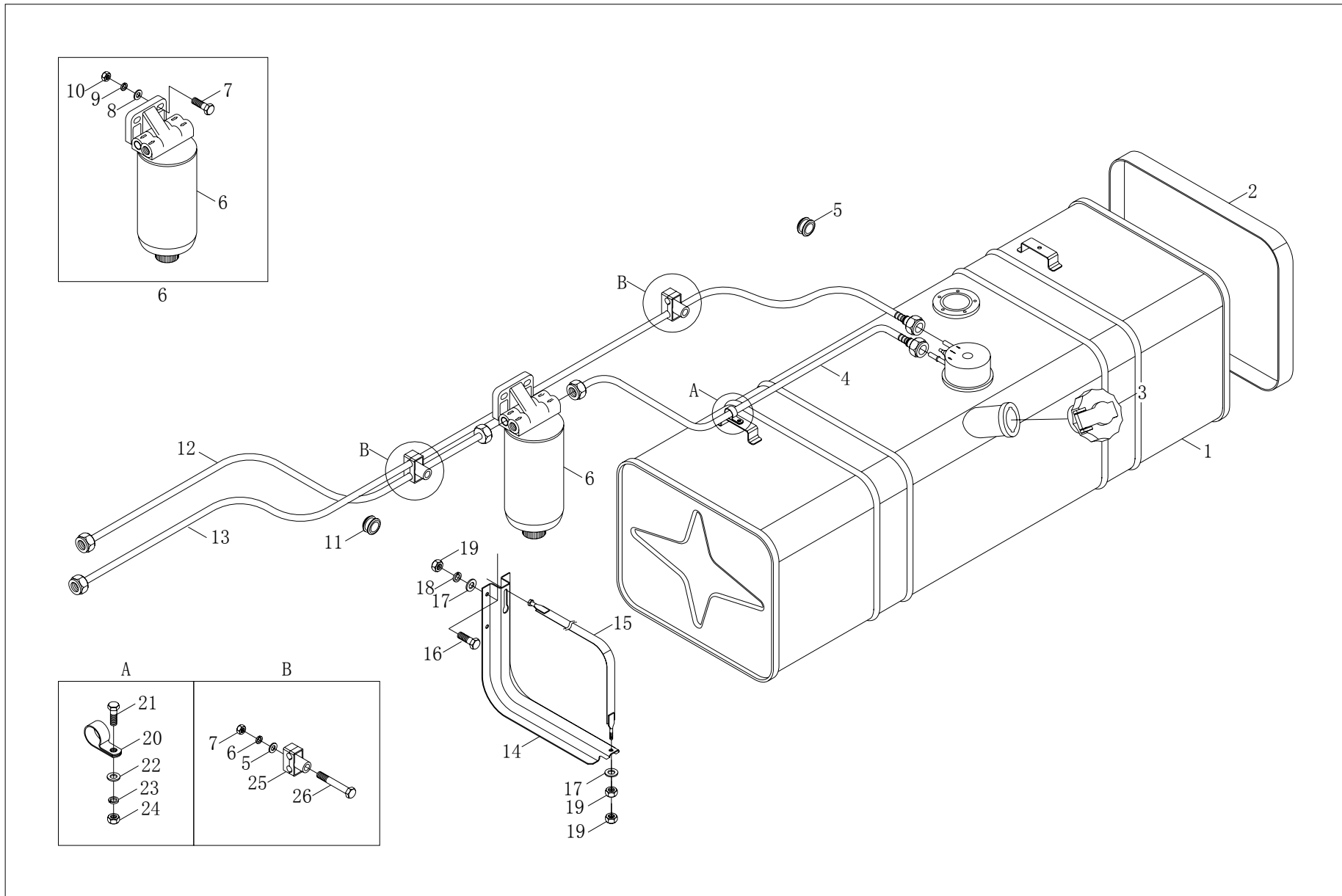
序号 No.	零件代号 Part No.	零件名称及规格.	Part Name and Specification	适用车型及用量 (件) Applied Models and Quantity (Piece)					
				用量 Qty.	车型 Models	用量 Qty.	车型 Model	用量 Qty.	车型 Model
	1S10691010113	动力总成悬置	Power train suspension						
1	Q341B16	1 型六角螺母	Hexagon nut, type-1	2					
2	Q40316	弹簧垫圈	Spring washer	2					
3	Q40116	平垫圈	Flat washer	2					
4	1106910180002	发动机后悬置支架	Rear suspension bracket of engine	1					
5	Q150B1235	六角头螺栓	Hex head bolt	8					
6	Q40312	弹簧垫圈	Spring washer	8					
7	Q40112	平垫圈	Flat washer	8					
8	1106910180007	发动机后悬置支架(右件)	Rear suspension bracket of engine (right)	1	1069VCJEA-0ADA23				
9	1106910180004	上压板	Upward pressure plate	2	1069VCJEA-0ADA24				
10	Q150B1040	六角头螺栓	Hex head bolt	8	1069VCJEA-0ADA25				
11	1106910180003	发动机后悬置软垫总成	Rear suspension cushion assembly of engine	2	1069VCJEA-0ADA26				
12	1106910100064	发动机后悬置左支架	Rear suspension left bracket of engine	1	1069VCJEA-0ADA28				
13	1106910100067	发动机后悬置支架加强板	Reinforcing plate of rear suspension bracket for engine	2	1069VCJEA-0ADA30				
14	Q150B1240	六角头螺栓	Hex head bolt	8					
15	Q33012T13F2	螺母	Nut	8					
16	Q40110	平垫圈	Flat washer	12					
17	Q40310	弹簧垫圈	Spring washer	12					
18	Q340B10	1 型六角螺母	Hexagon nut, type-1	12					
19	1110810102006	调整隔圈	Adjusting spacer	2					

1S10691010113 动力总成悬置 Power train suspension

序号 No.	零件代号 Part No.	零件名称及规格.	Part Name and Specification	适用车型及用量 (件) Applied Models and Quantity (Piece)					
				用量 Qty.	车型 Models	用量 Qty.	车型 Model	用量 Qty.	车型 Model
20	1110810102007	下压板	Lower pressure plate	2	1069VCJEA-0ADA23 1069VCJEA-0ADA24 1069VCJEA-0ADA25 1069VCJEA-0ADA26 1069VCJEA-0ADA28 1069VCJEA-0ADA30				
21	Q151B16120	螺栓	Bolt	2					
22	1106910100063	发动机后悬置右支架	Rear suspension right bracket of engine	1					
23	1106910100006	发动机前悬置支架总成	Front suspension bracket assembly of engine	2					
24	1108910100004	发动机前悬置软垫总成	Front suspension cushion assembly of engine	2					
25	Q150B1035	六角头螺栓	Hex head bolt	4					
26	Q150B1030	六角头螺栓	Hex head bolt	4					



1S10691100101 燃油系统 Fuel system



1S10691100101 燃油系统 Fuel system

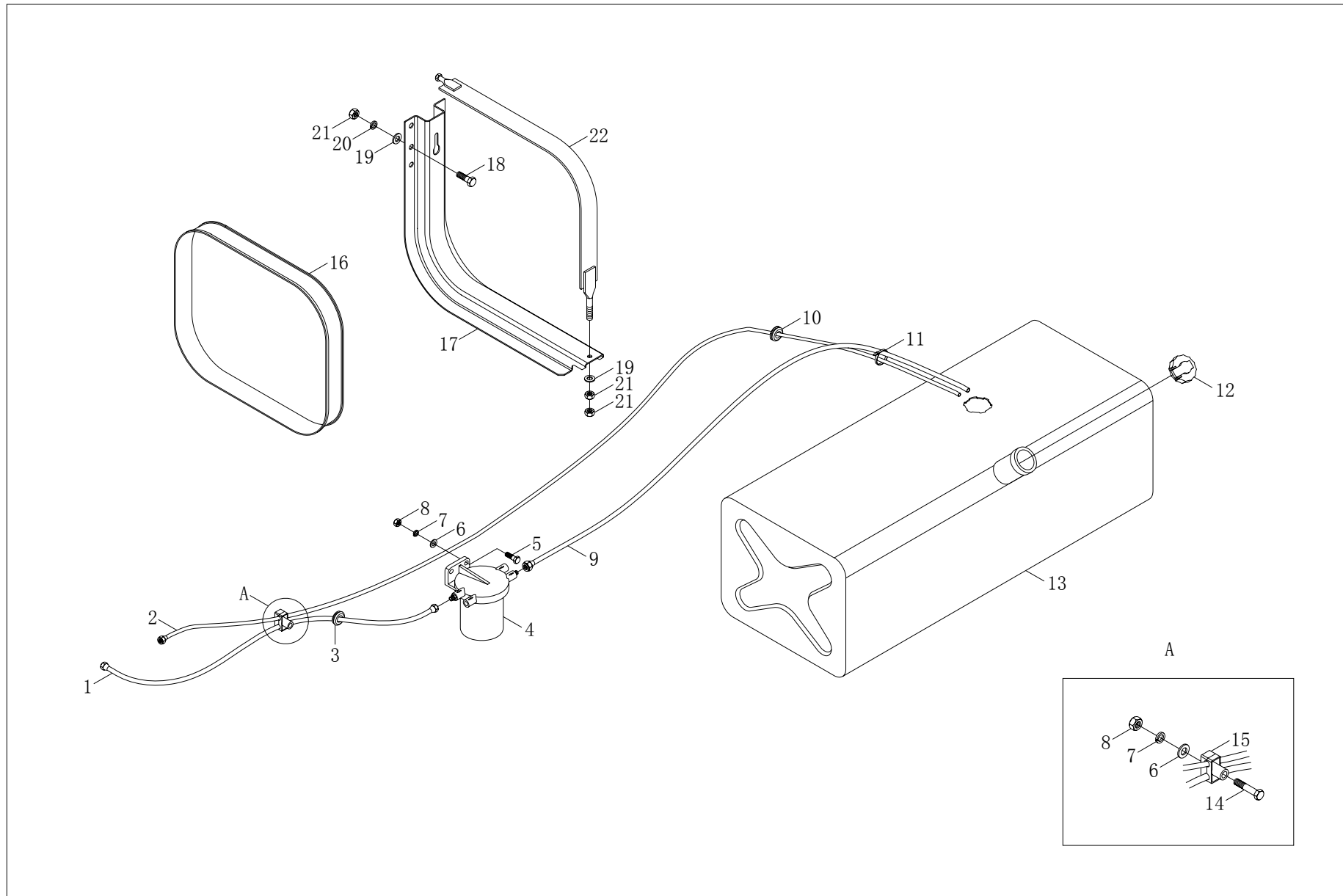
序号 No.	零件代号 Part No.	零件名称及规格. Part Name and Specification	适用车型及用量 (件) Applied Models and Quantity (Piece)						
			用量 Qty.	车型 Models	用量 Qty.	车型 Model	用量 Qty.	车型 Model	
	1S10691100101	燃油系统	Fuel system						
1	L0110020020A0	燃油箱总成	Fuel tank assembly	1					
2	1106611100005	油箱垫带	Fuel tank gasket	2					
3	1104911100009	燃油箱盖总成	Fuel tank cap assy	1					
4	L0110110159A0	前输油管总成	Front oil feed pipe assy	1					
5	1102911400073	橡胶护圈	Rubber retainer	1					
6	1106911500001	燃油滤清器	Fuel filter	1					
7	Q150B0830	六角头螺栓	Hex head bolt	2					
8	Q40108	平垫圈	Flat washer	4					
9	Q40308	弹簧垫圈	Spring washer	4					
10	Q340B08	1 型六角螺母	Hexagon nut, type-1	4	1069VCJEA-0ADA23 1069VCJEA-0ADA24 1069VCJEA-0ADA25 1069VCJEA-0ADA26				
11	1106611400008	橡胶护圈	Rubber retainer	1					
12	1106911400024	后输油管总成	Rear fuel supply pipe assy	1					
13	L0110110161A0	回油管总成	Oil return pipe assembly	1					
14	1106611100007	燃油箱支架	Fuel tank bracket	2					
15	1106611100001	油箱拉带焊合	Welded fuel tank drawstring	2					
16	Q150B1030	六角头螺栓	Hex head bolt	8					
17	Q40110	平垫圈	Flat washer	10					
18	Q40310	弹簧垫圈	Spring washer	8					
19	Q340B10	1 型六角螺母	Hexagon nut, type-1	12					
20	Q68612F4	一端固定式双管夹片	Pipe clamp, with one end fixed	1					

1S10691100101 燃油系统 Fuel system

序号 No.	零件代号 Part No.	零件名称及规格. Part Name and Specification	适用车型及用量 (件) Applied Models and Quantity (Piece)						
			用量 Qty.	车型 Models	用量 Qty.	车型 Model	用量 Qty.	车型 Model	
21	Q150B0514	六角头螺栓	Hex head bolt	1	1069VCJEA-0ADA23 1069VCJEA-0ADA24 1069VCJEA-0ADA25 1069VCJEA-0ADA26				
22	Q40105	平垫圈	Flat washer	1					
23	Q40305	弹簧垫圈	Spring washer	1					
24	Q340B05	1 型六角螺母	Hexagon nut, type-1	1					
25	1106611400009	两管夹组件	Two pipe clamp components	2					
26	Q150B0865	六角头螺栓	Hex head bolt	2					



1S10691100112 燃油系统 Fuel systems



1S10691100112 燃油系统 Fuel systems

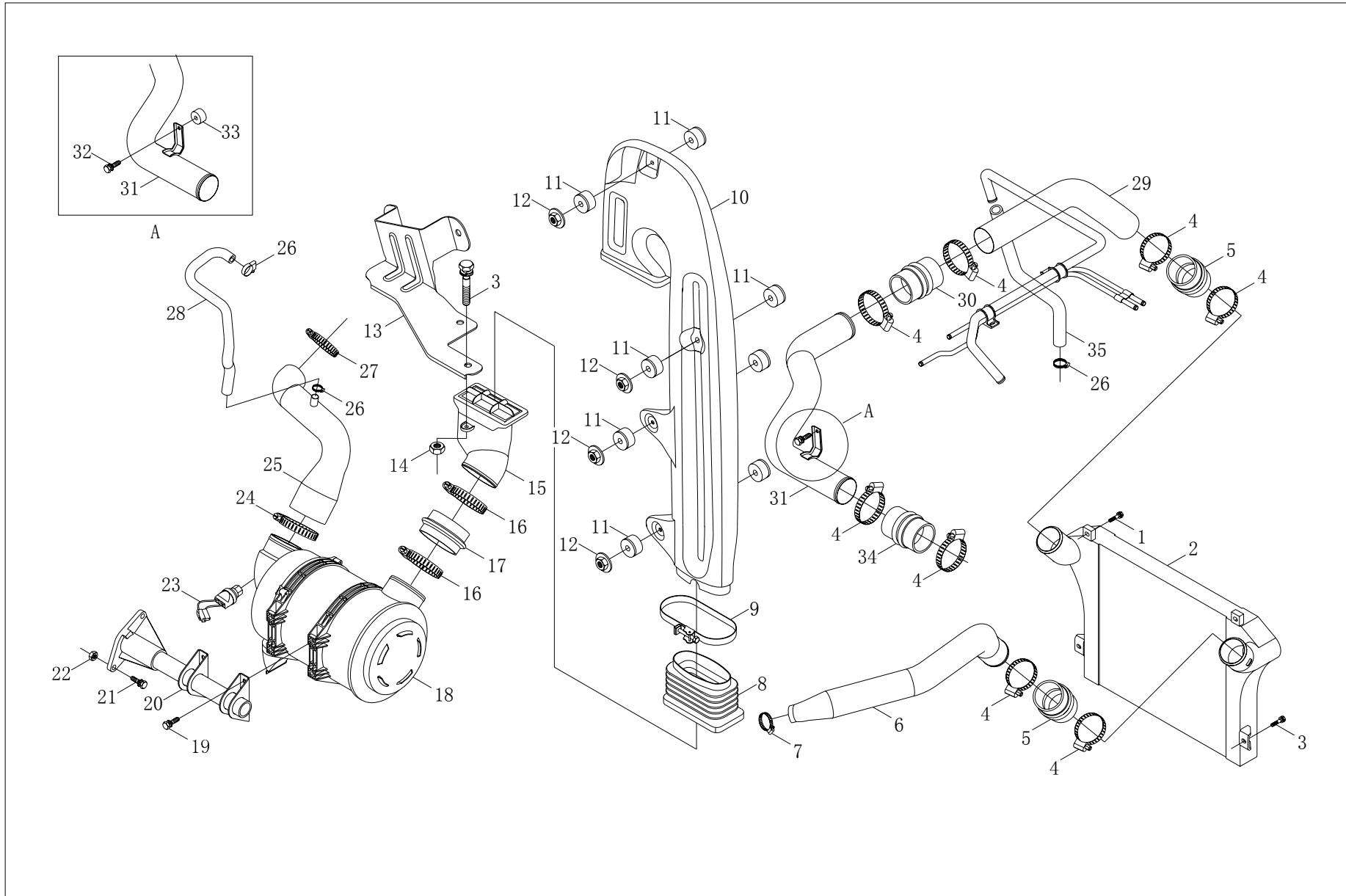
序号 No.	零件代号 Part No.	零件名称及规格. Part Name and Specification	适用车型及用量 (件) Applied Models and Quantity (Piece)						
			用量 Qty.	车型 Models	用量 Qty.	车型 Model	用量 Qty.	车型 Model	
	1S10691100112	燃油系统	Fuel systems						
1	1106911400024	后输油管总成	Rear fuel supply pipe assy	1					
2	1106911400052	回油管总成	Oil return pipe assembly	1					
3	1106611400008	橡胶护圈	Rubber retainer	1					
4	1106911500001	燃油滤清器	Fuel filter	1					
5	Q150B0830	六角头螺栓	Hex head bolt	2					
6	Q40108	平垫圈	Flat washer	4					
7	Q40308	弹簧垫圈	Spring washer	4					
8	Q340B08	1 型六角螺母	Hexagon nut, type-1	4					
9	1106911400050	前输油管总成	Front oil feed pipe assy	1					
10	1102911400073	橡胶护圈	Rubber retainer	1	1069VCJEA-0ADA28 1069VCJEA-0ADA30				
11	Q67407100	塑料紧箍带	Plastic band	3					
12	1104911100009	燃油箱盖总成	Fuel tank cap assy	1					
13	1106911100008	燃油箱总成	Fuel tank assembly	1					
14	Q150B0865	六角头螺栓	Hex head bolt	2					
15	1106611400009	两管夹组件	Two pipe clamp assembly	2					
16	1106911100007	油箱环带	Fuel tank ring belt	2					
17	1106611100007	燃油箱支架	Fuel tank bracket	2					
18	Q150B1030	六角头螺栓	Hex head bolt	8					
19	Q40110	平垫圈	Flat washer	10					
20	Q40310	弹簧垫圈	Spring washer	8					

1S10691100112 燃油系统 Fuel systems

序号 No.	零件代号 Part No.	零件名称及规格. Part Name and Specification	适用车型及用量 (件) Applied Models and Quantity (Piece)					
			用量 Qty.	车型 Models	用量 Qty.	车型 Model	用量 Qty.	车型 Model
21	Q340B10	1 型六角螺母	12	1069VCJEA-0ADA28 1069VCJEA-0ADA30				
22	1106611100001	油箱拉带焊合	2					



1S10691190103 进气装置 Air intake system



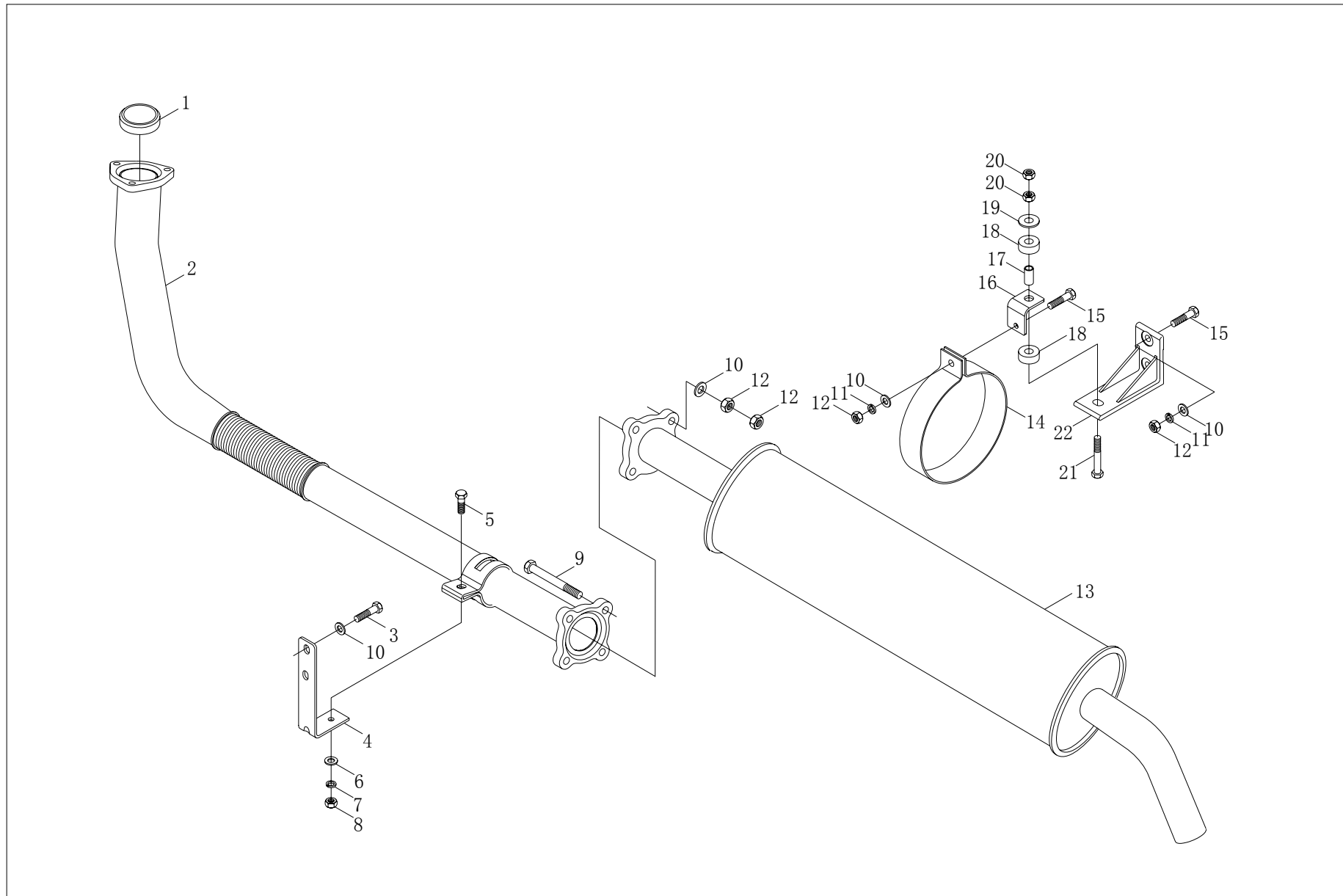
1S10691190103 进气装置 Air intake system

序号 No.	零件代号 Part No.	零件名称及规格.	Part Name and Specification	适用车型及用量 (件) Applied Models and Quantity (Piece)					
				用量 Qty.	车型 Models	用量 Qty.	车型 Model	用量 Qty.	车型 Model
	1S10691190103	进气装置	Air intake system						
1	Q1460830	六角头螺栓、弹簧垫圈 和平垫圈组合件	Hex head bolt, spring washer and flat washer component	1					
2	1106911900039	中冷器总成	Intercooler assy	1					
3	Q1460820	六角头螺栓、弹簧垫圈 和平垫圈组合件	Hexagon head bolt, spring washer and flat washer assembly part	1					
4	Q67580	A 型蜗杆传动式 软管环箍	Worm transmission hose hoop, type A	1					
5	1104311900135	软管接头	Hose joint	1					
6	1106911900031	中冷器进气管	Intercooler intake pipe	1					
7	Q67560	A 型蜗杆传动式 软管环箍	Worm transmission hose hoop, type A	1					
8	1106911900026	进气胶套总成	Inlet rubber sleeve assy	1	1069VCJEA-0ADA23				
9	1110811900013	环箍	Hoop	1	1069VCJEA-0ADA24				
10	1106911900020	高位进气管总成	High-mount air inlet pipe assy	1	1069VCJEA-0ADA25				
11	L0119017011A0	减振垫	Damping pad	1	1069VCJEA-0ADA26				
12	Q32008	六角法兰面螺母	Hex flange nut	1	1069VCJEA-0ADA28				
13	1106911900030	支架	Bracket	1	1069VCJEA-0ADA30				
14	Q340B08	1 型六角螺母	Hexagon nut, type-1	1					
15	1106911900029	进气接管 1	Intake connecting pipe 1	1					
16	Q675120	A 型蜗杆传动式 软管环箍	Worm transmission hose hoop, type A	1					
17	1106911900034	空滤器连接胶管	Connecting hose - air filter	1					
18	1106911900062	空滤器总成	Air filter assembly	1					
19	Q1461025	六角头螺栓、弹簧垫圈 和平垫圈组合件	Hex head bolt, spring washer and flat washer assembly	1					

1S10691190103 进气装置 Air intake system

序号 No.	零件代号 Part No.	零件名称及规格.	Part Name and Specification	适用车型及用量 (件) Applied Models and Quantity (Piece)					
				用量 Qty.	车型 Models	用量 Qty.	车型 Model	用量 Qty.	车型 Model
20	1106911900022	空滤器支架焊接	Air filter bracket weldment	2					
21	Q1461240	组合螺栓	Assembled bolt	1					
22	Q340B12	1 型六角螺母	Hexagon nut, type-1	4					
23	1104911900141	空滤器堵塞报警灯开关	Switch of blockage-alarm lamp for air filter	3					
24	Q675100	A 型蜗杆传动式软管环箍	Worm transmission hose hoop, type A	1					
25	1106911900037	增压器进气管	Turbocharger intake pipe	8					
26	Q67535	A 型蜗杆传动式软管环箍	Worm transmission hose hoop, type A	2					
27	Q67570	A 型蜗杆转动式软管环箍	Worm rotation type hose hoop, type A	5					
28	1106911900049	空压机进气软管 2	Air intake hose 2 of air compressor	4	1069VCJEA-0ADA23 1069VCJEA-0ADA24 1069VCJEA-0ADA25 1069VCJEA-0ADA26 1069VCJEA-0ADA28 1069VCJEA-0ADA30				
29	1106911900033	发动机进气管 2	Intake pipe 2 of engine	3					
30	1108911900061	软管接头	Hose joint	2					
31	1106911900032	发动机进气管 1	Engine intake pipe 1	1					
32	Q1460830F30	六角头螺栓、弹簧垫圈和平垫圈组合件	Hex head bolt, spring washer and flat washer component	4					
33	1106911900169	胶垫	Gasket	1					
34	1108911900016	胶管接头	Pipe joint	2					
35	1106911900038	空压机进气软管 1	Air intake hose 1 of air compressor	1					

1S10691200103 排气装置 Exhaust system



1S10691200103 排气装置 Exhaust system

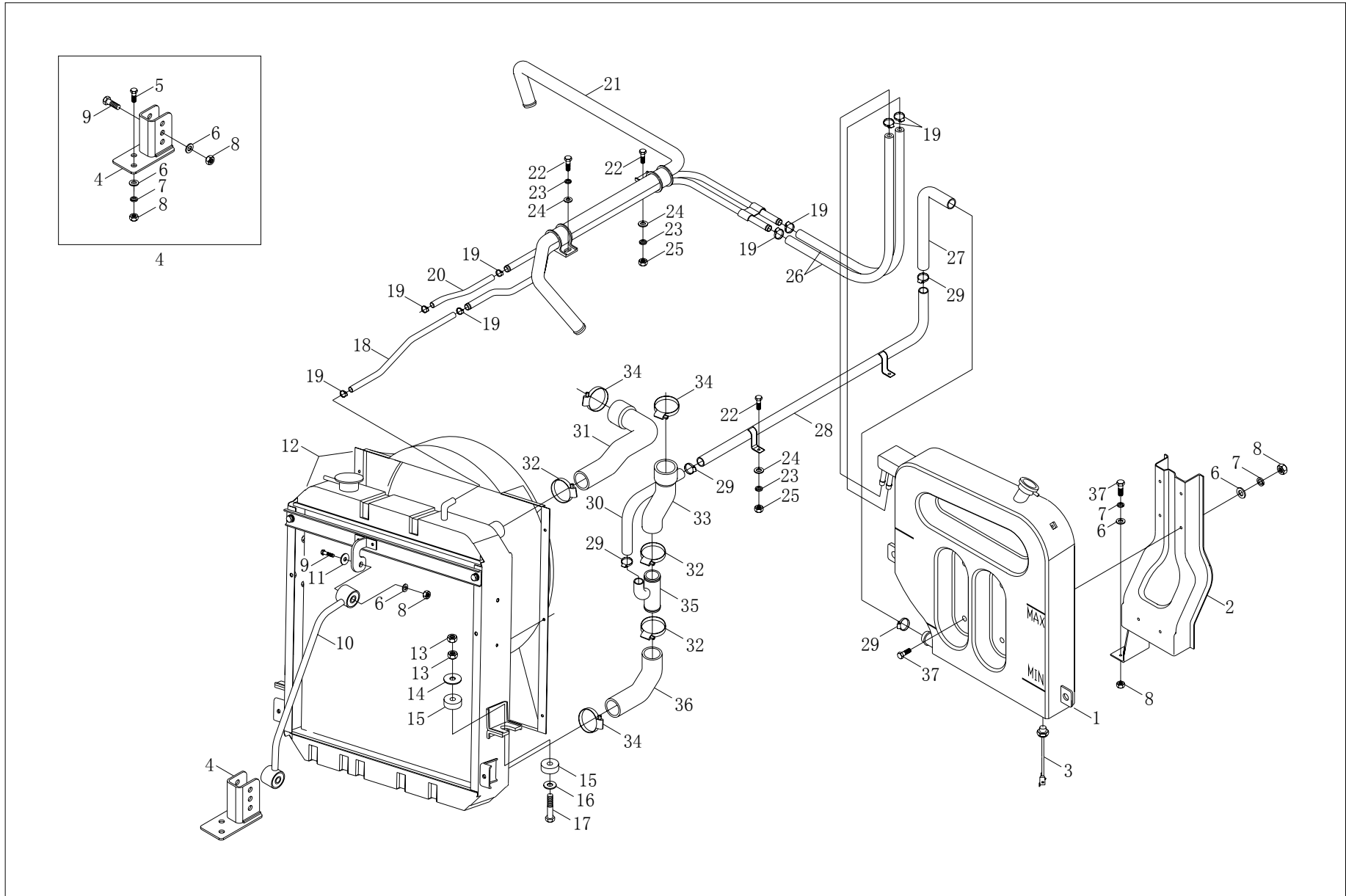
序号 No.	零件代号 Part No.	零件名称及规格.	Part Name and Specification	适用车型及用量 (件) Applied Models and Quantity (Piece)					
				用量 Qty.	车型 Models	用量 Qty.	车型 Model	用量 Qty.	车型 Model
	1S10691200103	排气装置	Exhaust system						
1	1109112000003	球面接头	Spherical joint	1					
2	1106912000025	排气管焊合	Exhaust pipe welded-on	1					
3	Q151C1025	六角头螺栓-细牙	Hexagon head bolt - fine thread	2					
4	1106912000034	排气管吊架	Exhaust pipe hanger	1					
5	Q150B0840	六角头螺栓	Hex head bolt	1					
6	Q40108	平垫圈	Flat washer	1					
7	Q40308	弹簧垫圈	Spring washer	1					
8	Q340B08	1 型六角螺母	Hexagon nut, type-1	1					
9	Q150B10110TF3	六角头螺栓	Hex head bolt	4	1069VCJEA-0ADA23				
10	Q40110	平垫圈	Flat washer	12	1069VCJEA-0ADA24				
11	Q40310	弹簧垫圈	Spring washer	6	1069VCJEA-0ADA25				
12	Q340B10	1 型六角螺母	Hexagon nut, type-1	14	1069VCJEA-0ADA26				
13	1106912000051	消声器总成	Muffler assembly	1	1069VCJEA-0ADA28				
14	1106912000073	消声器卡箍	Muffler clamp	2	1069VCJEA-0ADA30				
15	Q150B1030	六角头螺栓	Hex head bolt	6					
16	1104312000004	吊板	Hhanger plate	2					
17	1104312000003	衬套	Bushing	2					
18	1104312000002	橡胶软垫	Rubber pad	4					
19	Q40212	大垫圈	Big washer	2					
20	Q340B12	1 型六角螺母	Hexagon nut, type-1	4					

1S10691200103 排气装置 Exhaust system

序号 No.	零件代号 Part No.	零件名称及规格.	Part Name and Specification	适用车型及用量 (件) Applied Models and Quantity (Piece)					
				用量 Qty.	车型 Models	用量 Qty.	车型 Model	用量 Qty.	车型 Model
21	Q150B1270	六角头螺栓	Hex head bolt	2					
22	1104312000055	支撑板	Support plate	2					
					1069VCJEA-0ADA23 1069VCJEA-0ADA24 1069VCJEA-0ADA25 1069VCJEA-0ADA26 1069VCJEA-0ADA28 1069VCJEA-0ADA30				



1S10691300118 冷却系统 Cooling system



1S10691300118 冷却系统 Cooling system

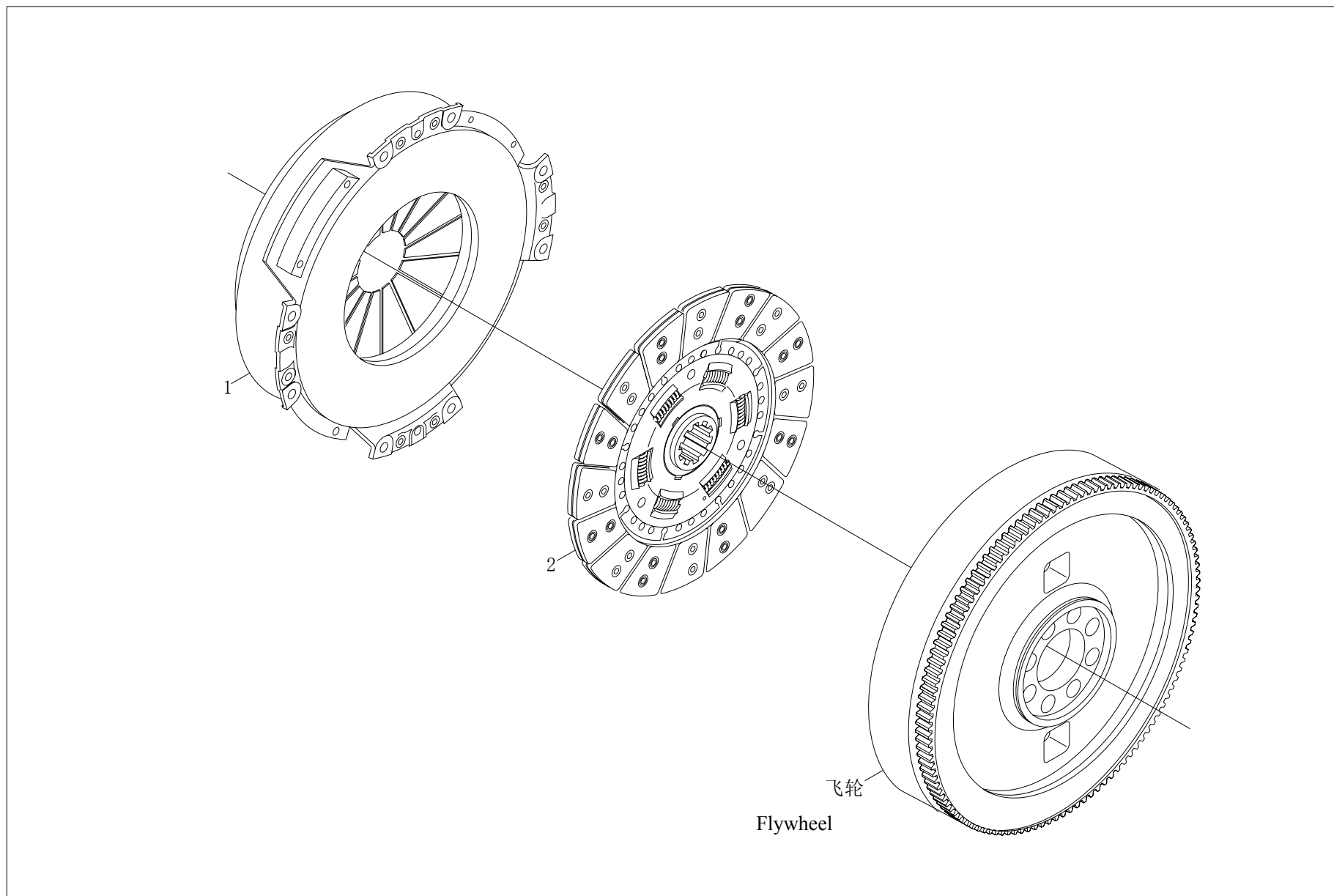
序号 No.	零件代号 Part No.	零件名称及规格. Part Name and Specification	适用车型及用量 (件) Applied Models and Quantity (Piece)						
			用量 Qty.	车型 Models	用量 Qty.	车型 Model	用量 Qty.	车型 Model	
	1S10691300118	冷却系统							
1	1106913100026	副水箱总成	1						
2	1106913200003	副水箱支架	1						
3	1104936630012	水位报警开关	1						
4	L0130180003A0	散热器撑杆支架	1						
5	Q150B0820	六角头螺栓	2						
6	Q40108	平垫圈	12						
7	Q40308	弹簧垫圈	11						
8	Q340B08	1 型六角螺母	10						
9	Q150B0845	六角头螺栓	2						
10	1104313200035	散热器支撑拉杆	1						
11	Q40208	大垫圈	1						
12	1106913100033	铝散热器带护风罩总成	1						
13	Q340B12	1 型六角螺母	4						
14	Q40212	大垫圈	2						
15	1104613200008	散热器支撑软垫	4						
16	Q40112	平垫圈	2						
17	Q150B1270	六角头螺栓	2						
18	1106913300010	散热器出气软管	1						
19	Q67516	A 型蜗杆传动式软管环箍	8						

1069VCJEA-0ADA23
1069VCJEA-0ADA24
1069VCJEA-0ADA25
1069VCJEA-0ADA26
1069VCJEA-0ADA28
1069VCJEA-0ADA30

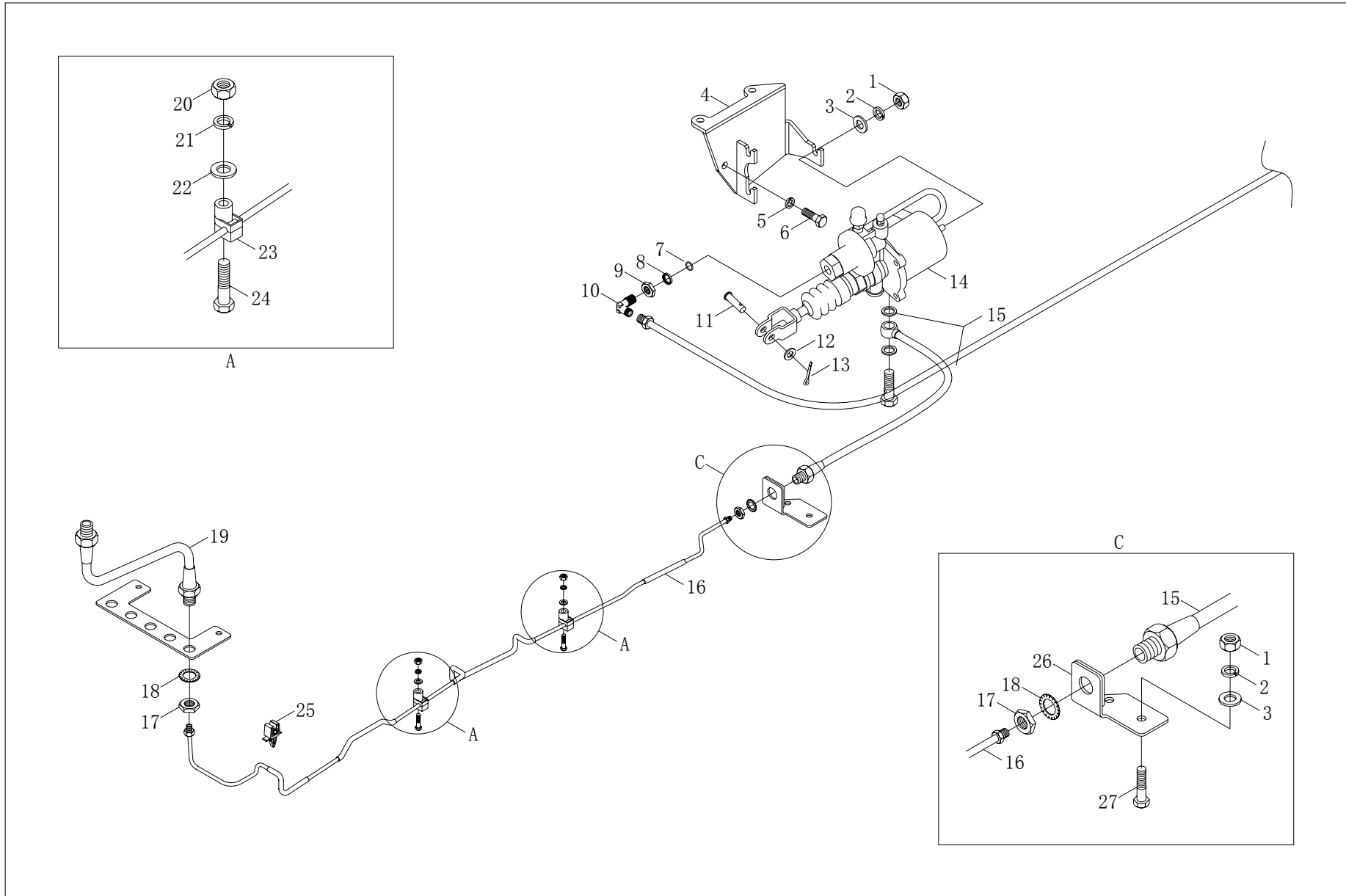
1S10691300118 冷却系统 Cooling system

序号 No.	零件代号 Part No.	零件名称及规格. Part Name and Specification	适用车型及用量 (件) Applied Models and Quantity (Piece)							
			用量 Qty.	车型 Models	用量 Qty.	车型 Model	用量 Qty.	车型 Model		
20	1106913300011	副水箱出气软管	Air outlet hose for expansion tank	1	1069VCJEA-0ADA23 1069VCJEA-0ADA24 1069VCJEA-0ADA25 1069VCJEA-0ADA26 1069VCJEA-0ADA28 1069VCJEA-0ADA30					
21	1106913300009	出气硬管焊合 2	Welded outlet pipe 2							
22	Q150B0620	六角头螺栓	Hex head bolt	4						
23	Q40306	弹簧垫圈	Spring washer	4						
24	Q40106	平垫圈	Flat washer	4						
25	Q340B06	1 型六角螺母	Hexagon nut, type-1	3						
26	1106913300040	散热器出气软管 2	Outlet hose for radiator 2	2						
27	1106913300008	副水箱出水管 2	Water outlet hose 2, expansion tank	1						
28	1106913300019	副水箱出水 硬管焊合 1	Water outlet rigid tube weld-on 1, expansion tank	1						
29	Q67535	A 型蜗杆传动式 软管环箍	Worm transmission hose hoop, type A	4						
30	1106913300014	副水箱出水管 1	Water outlet hose 1, expansion tank	1						
31	1106913300016	发动机出水软管	Outlet hose for engine	1						
32	Q67550	A 型蜗杆传动式 软管环箍	Worm transmission hose hoop, type A	4						
33	1106913300028	发动机进水软管 1	Water inlet hose, engine 1	1						
34	Q67570	A 型蜗杆传动式 软管环箍	A-type worm drive hose clamp	2						
35	1106913300036	进水三通焊接总成	Water intake four-way welding assy	1						
36	1106913300013	发动机进水软管	Water inlet hose, engine	1						
37	Q150B0825	六角头螺栓	Hex head bolt	8						

1S10691610103 离合器装置 Clutch device



1S10691620119 离合器操纵装置 Clutch control device



1S10691620119 离合器操纵装置 Clutch control device

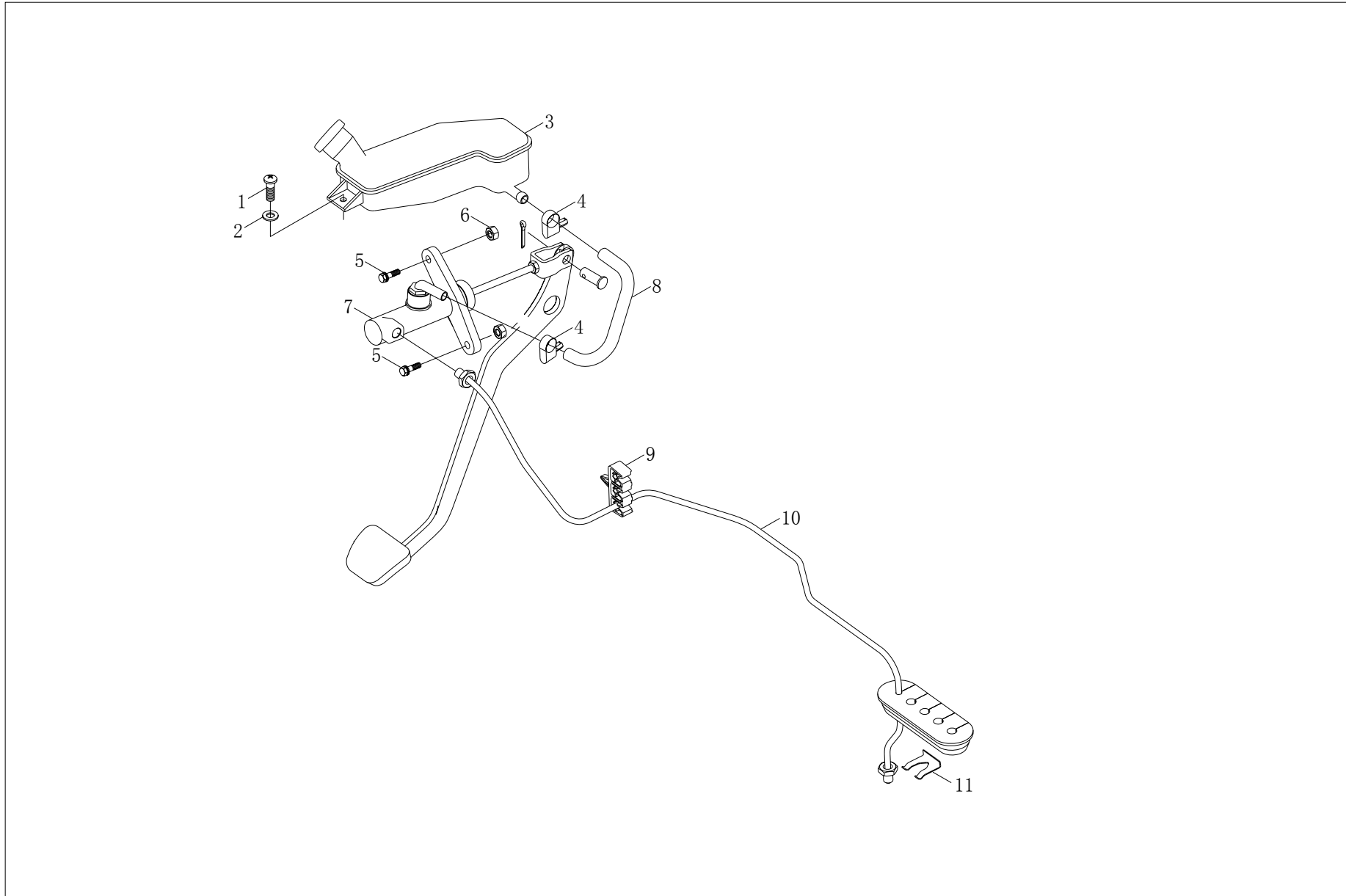
序号 No.	零件代号 Part No.	零件名称及规格. Part Name and Specification	适用车型及用量 (件) Applied Models and Quantity (Piece)						
			用量 Qty.	车型 Models	用量 Qty.	车型 Model	用量 Qty.	车型 Model	
	1S10691620119	离合器操纵装置							
1	Q340B08	1 型六角螺母	Hexagon nut, type-1	4					
2	Q40308	弹簧垫圈	Spring washer	4					
3	Q40108	平垫圈	Flat washer	4					
4	1106916200016	离合助力器支架焊合	Bracket weldment for clutch booster	1					
5	Q40310	弹簧垫圈	Spring washer	1					
6	Q151C1025	六角头螺栓-细牙	Hexagon head bolt - fine thread	1					
7	1104635900011	O 型密封圈 16	O-ring 16	1					
8	1104635900010	密封垫	Sealing gasket	1					
9	Q80216	六角薄螺母—细牙	Hexagon thin nut - fine thread	1	1069VCJEA-0ADA23				
10	1104635900002	卡套式端直角接头体	Ferrule straight thread elbow body	1	1069VCJEA-0ADA24				
11	Q5101030	销轴	Pin shaft	1	1069VCJEA-0ADA25				
12	Q40110	平垫圈	Flat washer	1	1069VCJEA-0ADA26				
13	Q5003214	开口销	Cotter pin	1	1069VCJEA-0ADA28				
14	1106616200021	离合助力器总成	Clutch booster assembly	1	1069VCJEA-0ADA30				
15	1105316200017	离合软管总成	Clutch hose assy	1					
16	1106916200052	离合分泵油管总成	Oil pipe assy, clutch slave cylinder	1					
17	Q351B18	六角薄螺母-细牙	Hexagon thin nut- fine thread	2					
18	Q41218	外锯齿锁紧垫圈	External teeth serrated lock washer	2					
19	1106916200058	联接软管总成	Connecting hose assy	1					
20	Q340B06	1 型六角螺母	Hexagon nut, type-1	2					

1S10691620119 离合器操纵装置 Clutch control device

序号 No.	零件代号 Part No.	零件名称及规格. Part Name and Specification	适用车型及用量 (件) Applied Models and Quantity (Piece)					
			用量 Qty.	车型 Models	用量 Qty.	车型 Model	用量 Qty.	车型 Model
21	Q40306	弹簧垫圈	2	1069VCJEA-0ADA23 1069VCJEA-0ADA24 1069VCJEA-0ADA25 1069VCJEA-0ADA26 1069VCJEA-0ADA28 1069VCJEA-0ADA30				
22	Q40106	平垫圈	2					
23	1106616200005	一管夹组件(二)	2					
24	Q150B0660	六角头螺栓	2					
25	1102935600026	单管卡	1					
26	L0162060007A0	离合软管支架	1					
27	Q150B0825	六角头螺栓	1					



1S10431630114 离合操纵机构 Clutch control mechanism

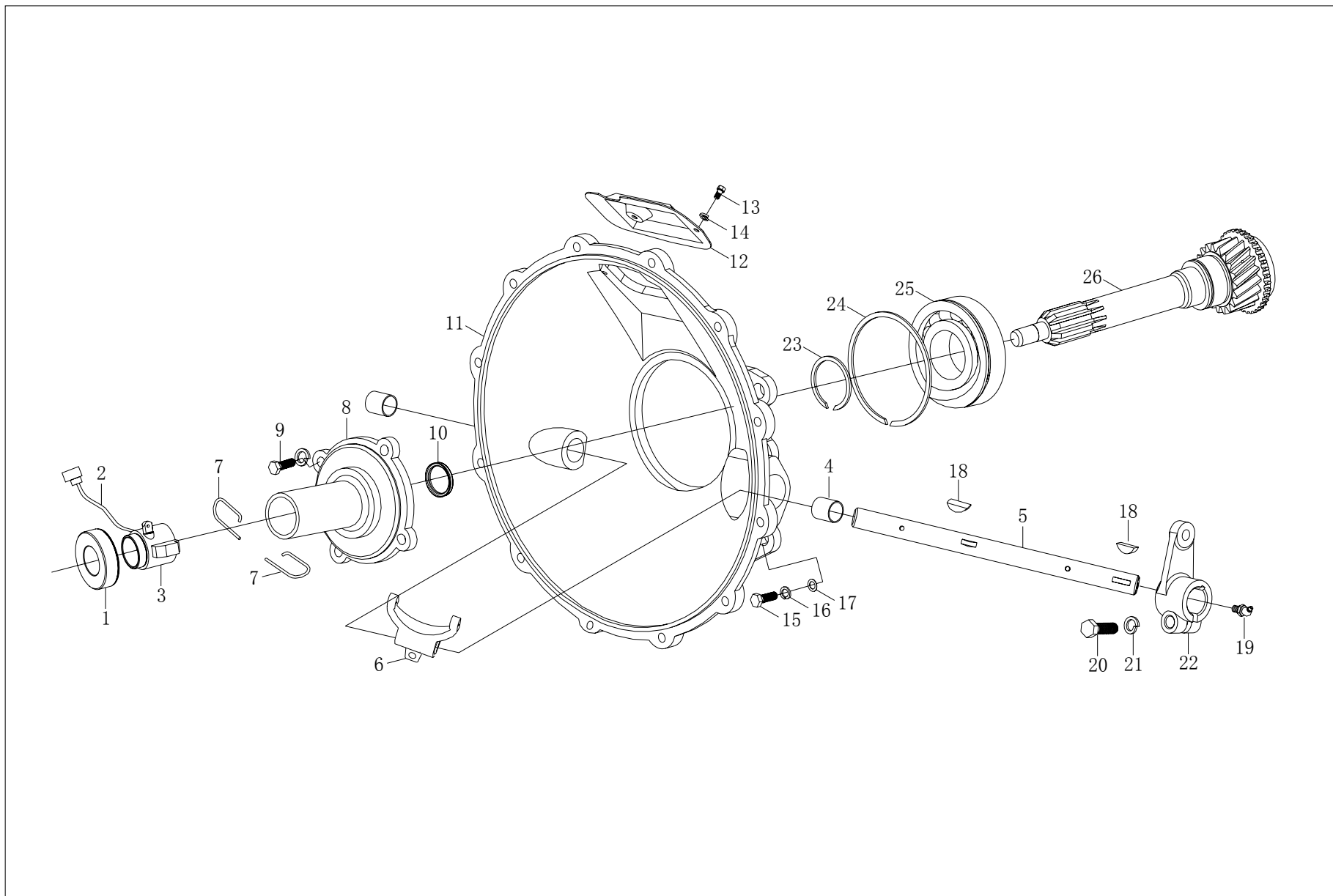


1S10431630114 离合操纵机构 Clutch control mechanism

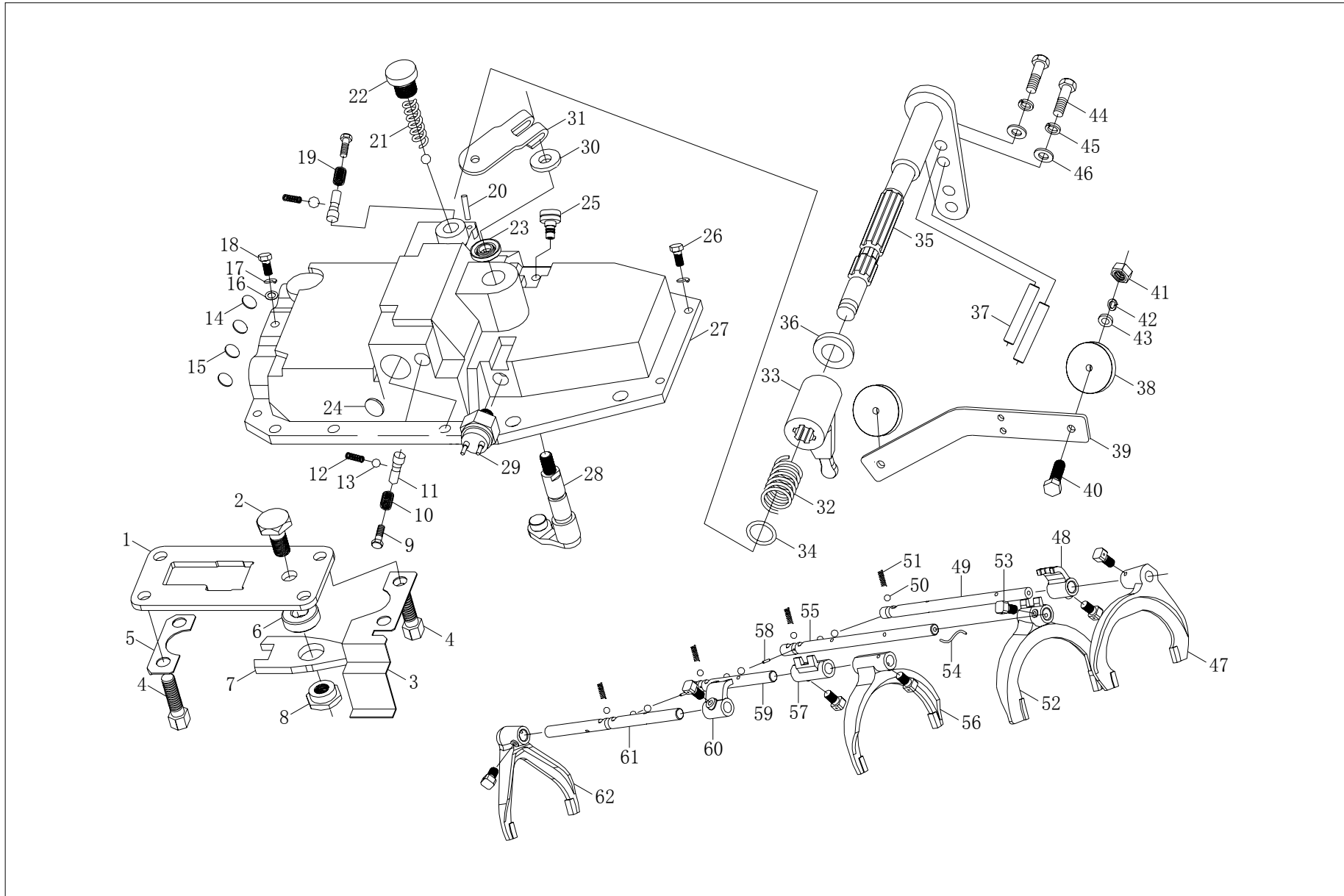
序号 No.	零件代号 Part No.	零件名称及规格.	Part Name and Specification	适用车型及用量 (件) Applied Models and Quantity (Piece)					
				用量 Qty.	车型 Models	用量 Qty.	车型 Model	用量 Qty.	车型 Model
	1S10431630114	离合操纵机构	Clutch control mechanism						
1	Q2140520	十字槽盘头螺钉	Cross recessed pan head screw	1					
2	Q40105	平垫圈	Flat washer	1					
3	1104316300011	储油杯总成	Oil cup assembly	1					
4	Q67516	A 型蜗杆传动式 软管环箍	Worm transmission hose hoop, type A	2					
5	Q1460830F30	六角头螺栓、弹簧垫圈 和平垫圈组合件	Hex head bolt, spring washer and flat washer assembly	2					
6	Q340B08F30	1 型六角螺母	Hexagon nut, type-1	2					
7	1103916300003	离合总泵总成	Clutch master cylinder assembly	1					
8	1103916300004	离合总泵进油管总成	Inlet pipe assembly, clutch master cylinder	1	1069VCJEA-0ADA23				
9	1102935600025	三线油管卡	Three-line oil pipe clamp	1	1069VCJEA-0ADA24				
10	1104316300013	离合总泵出油管总成	Outlet pipe assembly, clutch master cylinder	1	1069VCJEA-0ADA25				
11	Q436120	开口挡圈	Split washer	1	1069VCJEA-0ADA26				
					1069VCJEA-0ADA28				
					1069VCJEA-0ADA30				



1S10691710115 变速器（一轴及离合器壳） Transmission(primary shaft and clutch housing)



1S10691710115 变速器(上盖及换档机构) Transmission (upper cover and gearshift)



1S10691710115 变速器(上盖及换档机构) Transmission (upper cover and gearshift)

序号 No.	零件代号 Part No.	零件名称及规格. Part Name and Specification	适用车型及用量(件) Applied Models and Quantity (Piece)						
			用量 Qty.	车型 Models	用量 Qty.	车型 Model	用量 Qty.	车型 Model	
	1S10691710115	变速器							
	646-6000A2	上盖总成	1						
	646-6020	导向板总成	1						
1	646-6025	导向板	1						
2	WTM12×1.25×27	螺栓	1						
3	646-6936	锁片	1						
4	Q151C1020	螺栓	4						
5	646-6036	锁片	1						
6	646-6034	隔套	1						
7	646-6577	五、六档转换摇臂	1						
8	WTM12×1.25	螺母	1	1069VCJEA-0ADA23 1069VCJEA-0ADA25					
9	WTM14X1.5X8	螺塞	2						
10	WBY152.5X1.4X4	阻力弹簧	1						
11	646-6095	阻力销	2						
12	WBY122X1.2X2.7	锁球弹簧	2						
13	Q966079	钢球	3						
14	WB722 24X18	碗形塞片	1						
15	Q72120	塞片	3						
16	Q40110	平垫圈	1						
17	Q40310	弹簧垫圈	1						
18	Q151C1060	六角头螺栓	1						

1S10691710115 变速器(上盖及换档机构) Transmission (upper cover and gearshift)

序号 No.	零件代号 Part No.	零件名称及规格. Part Name and Specification	适用车型及用量 (件) Applied Models and Quantity (Piece)						
			用量 Qty.	车型 Models	用量 Qty.	车型 Model	用量 Qty.	车型 Model	
19	WBYI50X1.3X3.8	阻力弹簧	Damping spring	1	1069VCJEA-0ADA23 1069VCJEA-0ADA25				
20	1700N-328	圆柱销	Cylindrical pin	1					
21	WBYI19.7X1.7X2.75	弹簧	Spring	1					
22	WTM16X1.5X17.5	螺塞	Screw plug	1					
23	19X31X5TC	骨架油封	Framework oil seal	1					
24	Q72217	碗形塞片	Bowl type plug	1					
25	646-6029	通气塞	Breather plug	1					
26	WB1841025	上盖螺栓	Upper cover bolt	10					
27	646-6021	上盖	Upper cover	1					
28	646-6080A1	选档轴总成	Gear selecting shaft assy	1					
29	WK-17	倒车灯开关	Back-up lamp switch	1					
30	646-6084	平垫	Flat gasket	1					
31	646-6087	选档臂	Gear selecting arm	1					
32	WBYI34X1.6X9	弹簧	Spring	1					
33	646-6075	换档拨头	Shifting block	1					
34	646-6074	平垫	Flat gasket	1					
35	646-6070A2	换档轴总成	Gear shift shaft assy	1					
36	24X32X5TC	骨架油封	Framework oil seal	1					
37	646-6974A1	隔套	Spacer	2					
38	646-6975	换档平衡块	Gear shift balance block	2					
39	646-6977	换档平衡臂	Gear shift balance arm	1					

1S10691710115 变速器(上盖及换档机构) Transmission (upper cover and gearshift)

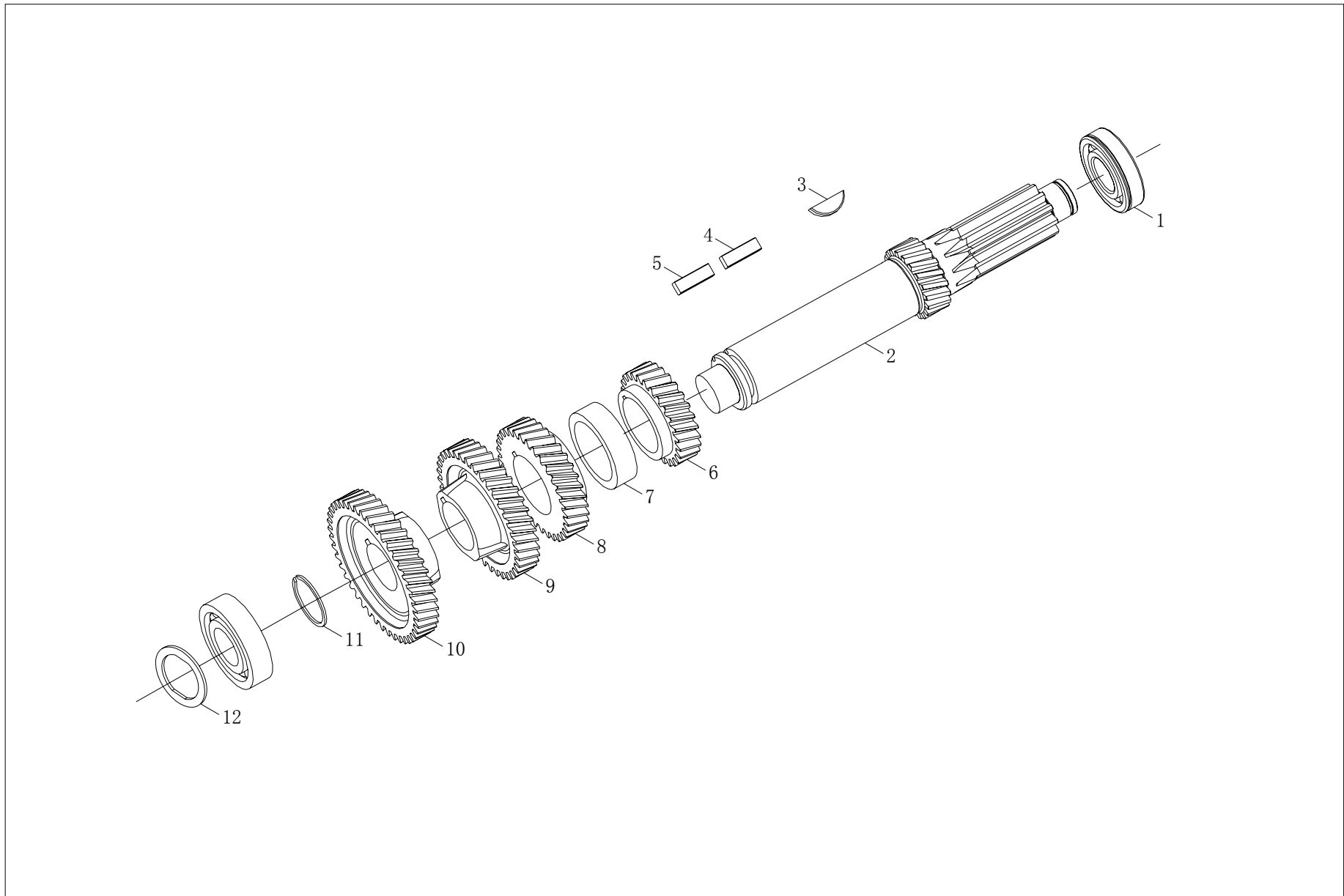
序号 No.	零件代号 Part No.	零件名称及规格. Part Name and Specification	适用车型及用量(件) Applied Models and Quantity (Piece)						
			用量 Qty.	车型 Models	用量 Qty.	车型 Model	用量 Qty.	车型 Model	
40	Q150B1030	螺栓	Bolt	2					
41	Q340B10	螺母	Nut	2					
42	Q40310	弹簧垫圈	Spring washer	2					
43	Q40110	平垫圈	Flat washer	2					
44	Q150B0830	螺栓	Bolt	4					
45	Q40308	弹簧垫圈	Spring washer	4					
46	Q40108	平垫圈	Flat washer	4					
47	646-6573	五、六档变速拨叉	5/6 gear shift fork	1					
48	646-6575	五、六档变速导块	5/6 gear shift block	1					
49	646-6571	五、六档变速叉轴	5/6 gear shift fork shaft	1					
50	Q96610319	钢球	Steel ball	10	1069VCJEA-0ADA23 1069VCJEA-0ADA25				
51	WBYI34X1.6X2.7	锁球弹簧	Lock ball spring	4					
52	646-6373	三、四档变速拨叉	3/4 gear shift fork	1					
53	WTM8X1.25X17	止动螺栓	Lock bolt	7					
54	Q50512170	钢丝锁线	Steel lock wire	7					
55	646-6371	三、四档变速叉轴	3/4 gear shift fork shaft	1					
56	646-6173	一、二档变速拨叉	1/2 gear shift fork	1					
57	646-6175	一、二档变速导块	1/2 gear shift block	1					
58	646-6045	互锁销	Interlock pin	2					
59	646-6171	一、二档变速叉轴	1/2 gear shift fork shaft	1					
60	646-6875	倒档变速导块	Reverse gear shift block	1					

1S10691710115 变速器(上盖及换档机构) Transmission (upper cover and gearshift)

序号 No.	零件代号 Part No.	零件名称及规格. Part Name and Specification	适用车型及用量 (件) Applied Models and Quantity (Piece)							
			用量 Qty.	车型 Models	用量 Qty.	车型 Model	用量 Qty.	车型 Model		
61	646-6871	倒档变速叉轴	Reverse gear shift fork shaft	1	1069VCJEA-0ADA23 1069VCJEA-0ADA25					
62	646-6873	倒档变速拨叉	Reverse gear shift fork	1						



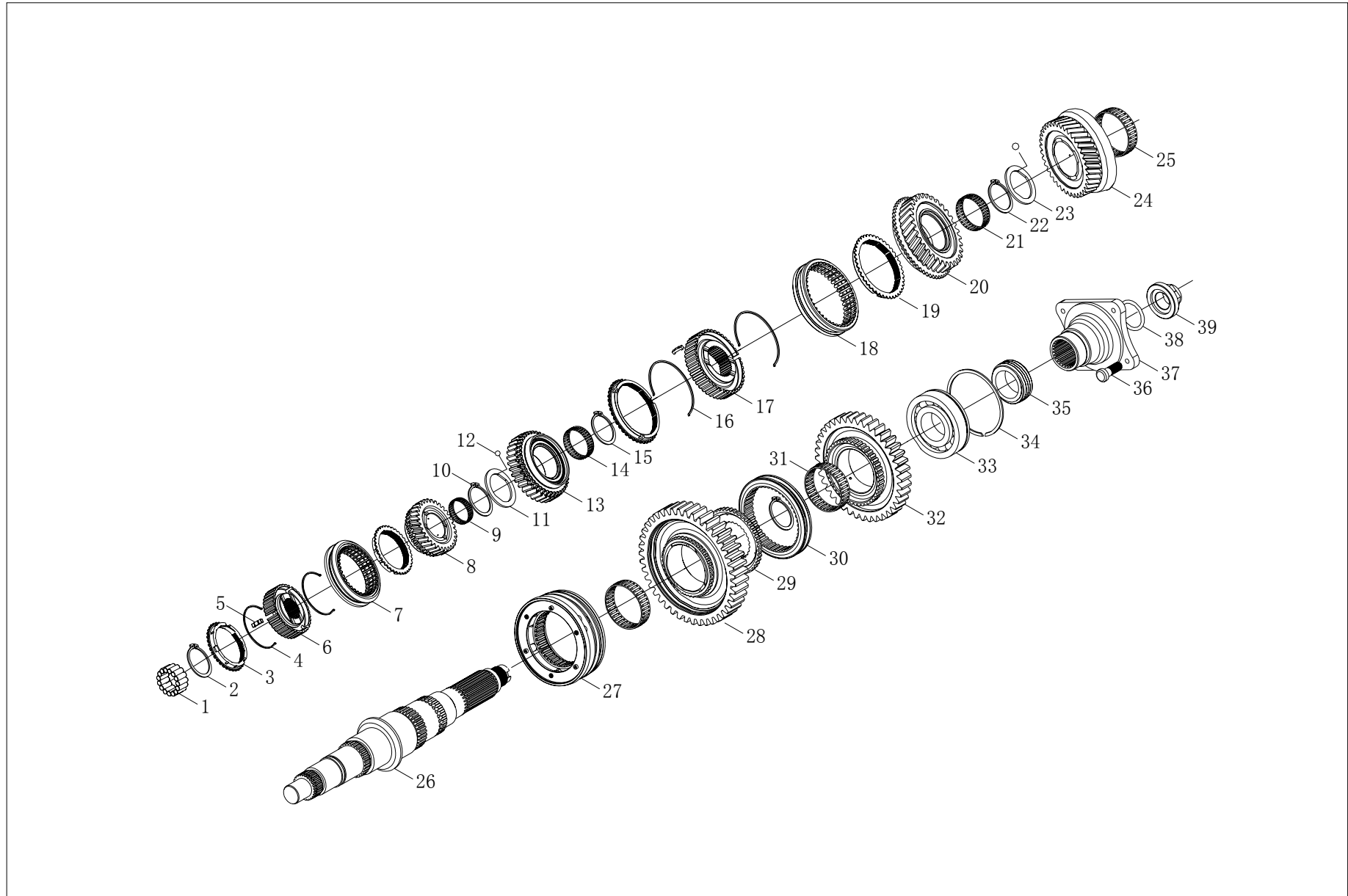
1S10691710115 变速器(中间轴总成) Transmission(countershaft assy)



1S10691710115 变速器(中间轴总成) Transmission(countershaft assy)

序号 No.	零件代号 Part No.	零件名称及规格.	Part Name and Specification	适用车型及用量 (件) Applied Models and Quantity (Piece)					
				用量 Qty.	车型 Models	用量 Qty.	车型 Model	用量 Qty.	车型 Model
	1S10691710115	变速器	Transmission						
	646-2000A1	中间轴总成	Countershaft assy	1					
1	NJ307EV	滚子轴承	Roller bearing	2					
2	646-2011	中间轴	Countershaft	1					
3	Q5501032	半圆键	Woodruff key	1					
4	WB551 15X10X78	普通平键	Parallel key	1					
5	WB551 15X10X43	普通平键	Parallel key	1					
6	646-2311	中间轴三档齿轮	Countershaft 3rd gear	1					
7	646-2034	隔套	Spacer	1					
8	646-2411A1	中间轴四档齿轮	Countershaft 4th gear	1					
9	646-2611	中间轴六档齿轮	Countershaft 6th gear	1	1069VCJEA-0ADA23 1069VCJEA-0ADA25				
10	646-2511	中间轴常啮合齿轮	Countershaft constant mesh gear	1					
11	Q43150	轴用弹性挡圈	Circlip for shaft	1					
12	WTD64X78X0.1	中间轴前轴承 调整垫片	Adjusting shim of front bearing for countershaft	选装 Optional					
	WTD64X78X0.3	中间轴前轴承 调整垫片	Adjusting shim of front bearing for countershaft						
	WTD64X78X0.5	中间轴前轴承 调整垫片	Adjusting shim of front bearing for countershaft						

1S10691710115 变速器(二轴总成) Transmission(Main shaft assy)



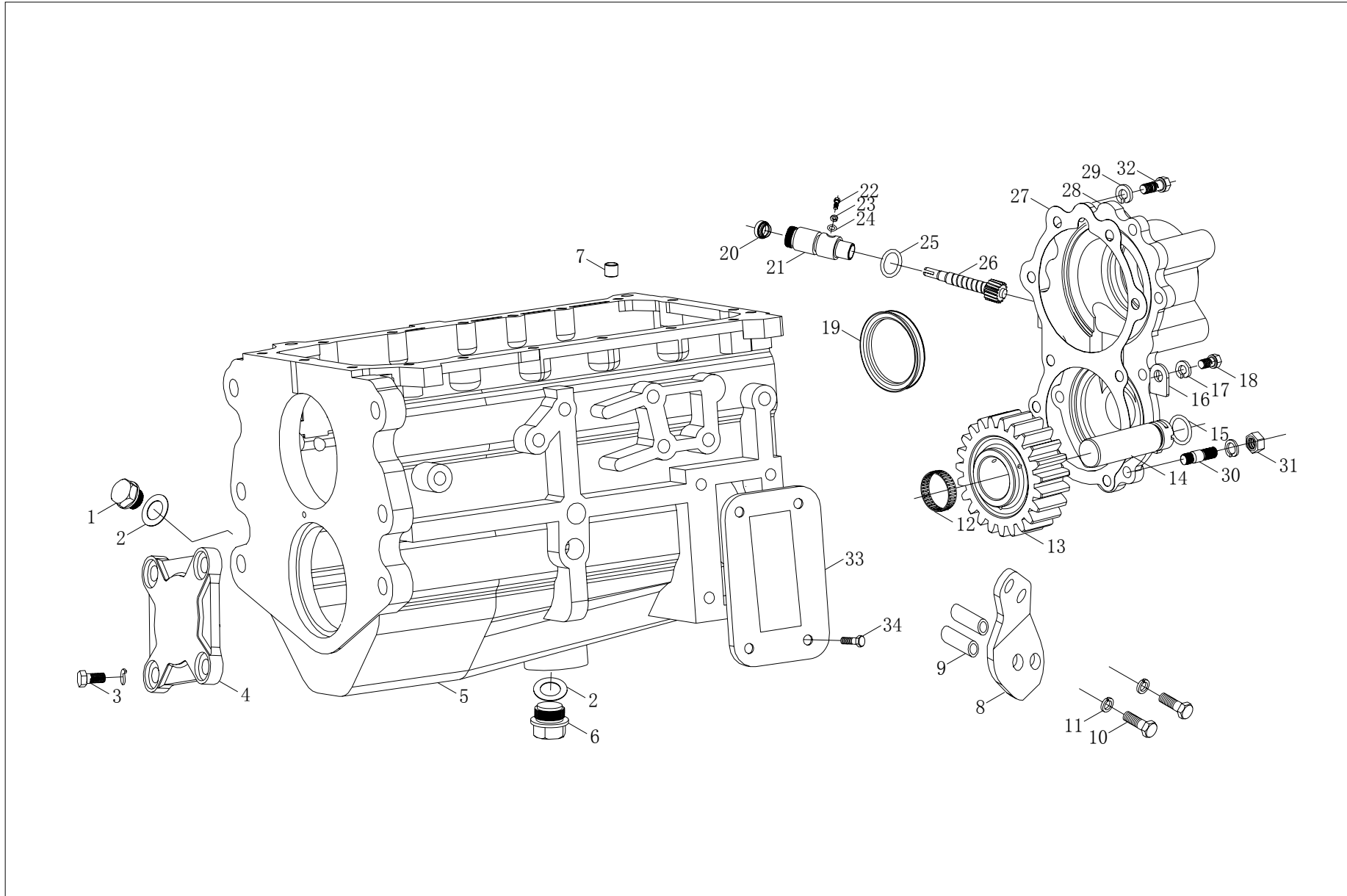
1S10691710115 变速器(二轴总成) Transmission(Main shaft assy)

序号 No.	零件代号 Part No.	零件名称及规格.	Part Name and Specification	适用车型及用量 (件) Applied Models and Quantity (Piece)					
				用量 Qty.	车型 Models	用量 Qty.	车型 Model	用量 Qty.	车型 Model
	1S10691710115	变速器	Transmission						
	646-3000A1	二轴总成	Main shaft assy						
1	K30X45X30	滚针轴承	Needle bearing						
2	WB43339	挡圈	Circlip	1					
3	646-3562	五六档同步器铜环	5/6 gear synchronizer copper ring	1					
4	WB434 88X1.5	五六档同步器弹簧	5/6 gear synchronizer spring	1					
5	646-3365	同步器滑块	Synchronizer sliding block	2					
6	646-3563	五六档同步器齿座	5/6 gear synchronizer gear seat	2					
7	646-3564	五六档同步器齿套	5/6 gear synchronizer gear sleeve	6					
8	646-3610A1	二轴六档齿轮	6th gear, main shaft	1					
9	K40X45X32.6	滚针轴承	Needle bearing	1	1069VCJEA-0ADA23 1069VCJEA-0ADA25				
10	WB43340	挡圈	Circlip	1					
11	646-3435	止推片	Thrust gasket	1					
12	Q96604	钢球	Steel ball	1					
13	646-3410A1	二轴四档齿轮合件	4 gear assembly, main shaft	1					
14	K52X58X30.9	滚针轴承	Needle bearing	2					
15	WB43352X2.35	挡圈	Circlip	1					
16	WB434 140X1.5	三四档同步器弹簧	3/4 gear synchronizer spring	2					
17	646-3363	三四档同步器齿座	3/4 gear synchronizer gear seat	1					
18	646-3364	三四档同步器齿套	3/4 gear synchronizer gear sleeve	1					
19	646-3362	三四档同步器铜环	3/4 gear synchronizer copper ring	2					

1S10691710115 变速器(二轴总成) Transmission(Main shaft assy)

序号 No.	零件代号 Part No.	零件名称及规格. Part Name and Specification	适用车型及用量 (件) Applied Models and Quantity (Piece)						
			用量 Qty.	车型 Models	用量 Qty.	车型 Model	用量 Qty.	车型 Model	
20	646-3310	二轴三档齿轮合件	3 gear assembly, main shaft	1	1069VCJEA-0ADA23 1069VCJEA-0ADA25				
21	K57X64X34	滚针轴承	Needle bearing	2					
22	WB43157	挡圈	Circlip	1					
23	646-3235	止推片	Thrust gasket	2					
24	646-3210	二轴二档齿轮合件	2 gear assembly, main shaft	1					
25	K64X71X41.5ZW	滚针轴承	Needle bearing	1					
26	646-3011	第二轴	Main shaft	1					
27	646-3160	一二档同步器总成	1/2 gear synchronizer assy	1					
28	646-3110	二轴一档齿轮合件	1st gear assembly, main shaft	1					
29	646-3863	倒档齿座	Reverse gear	1					
30	646-3864	倒档齿套	Reverse gear	1					
31	K52X58X23.5	滚针轴承	Needle bearing	1					
32	646-3810	倒档齿轮合件	Reverse gear assy	1					
33	6309NC3	深沟球轴承	Deep groove ball bearing	1					
34	Q43339	挡圈	Circlip	1					
35	646-3911F	里程表主动齿轮	Odometer driving gear	1					
36	1700Q08-173	突缘螺栓	Flange bolt	4					
37	646-3921A1	突缘	Flange	1					
38	38.7X3.55	O形密封圈	O-ring	1					
39	530-816B	螺母	Nut	1					

1S10691710115 变速器(壳体及外围件) Transmission(housing and peripheral parts)



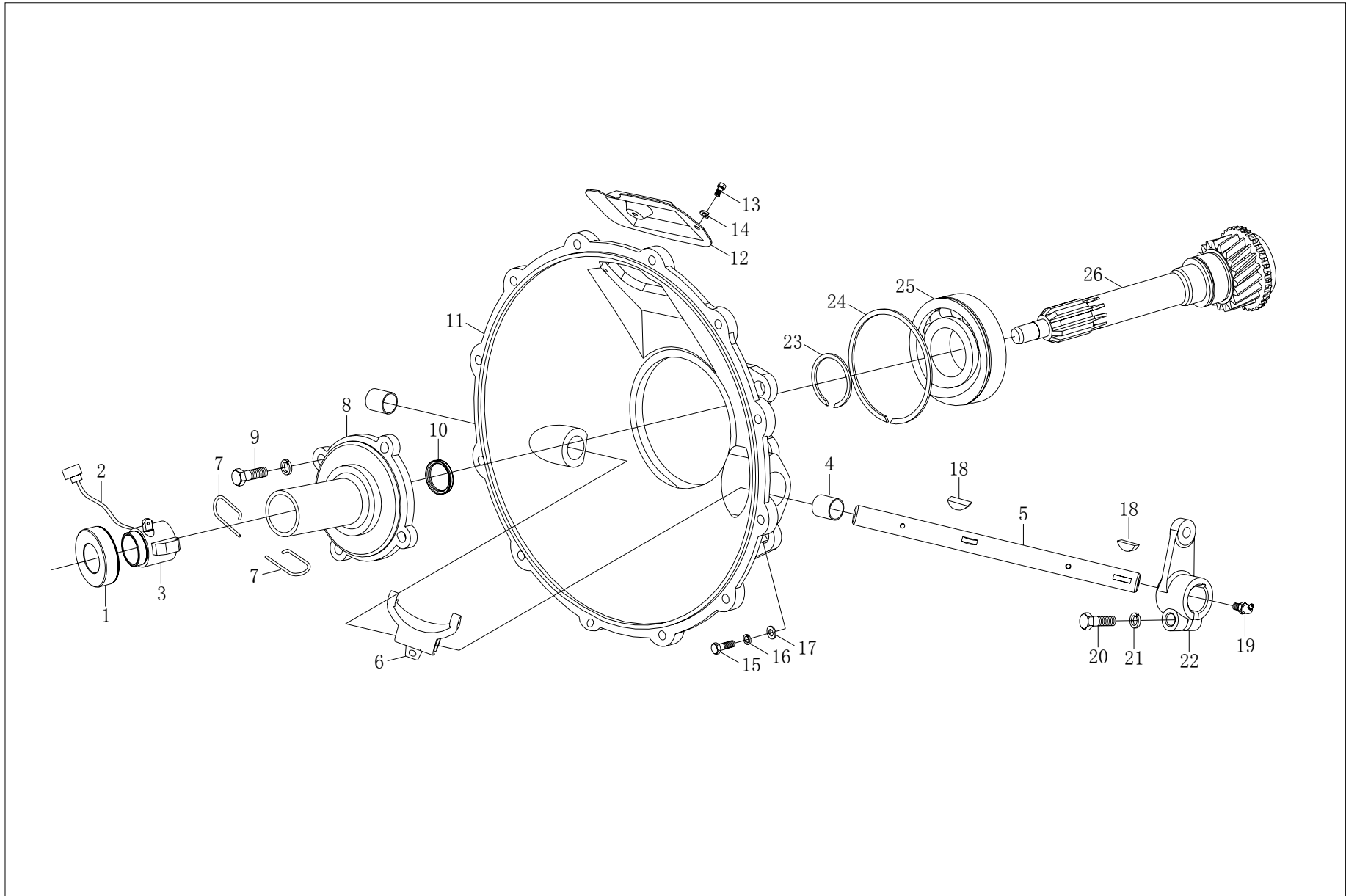
1S10691710115 变速器(壳体及外围件) Transmission(housing and peripheral parts)

序号 No.	零件代号 Part No.	零件名称及规格.	Part Name and Specification	适用车型及用量 (件) Applied Models and Quantity (Piece)					
				用量 Qty.	车型 Models	用量 Qty.	车型 Model	用量 Qty.	车型 Model
	1S10691710115	变速器	Transmission						
	646-0020A1	壳体总成	Housing assy	1					
1	1700N-402	螺塞	Screw plug	1					
2	WTD32X24.5X2	橡胶垫	Rubber gasket	2					
3	Q151B1220	螺栓	Bolt	4					
	Q40312	弹簧垫片	Spring gasket	4					
4	646-2021	中间轴前轴承盖	Front bearing cap, countershaft	1					
5	646-0021	壳体	Housing	1					
6	WB623M24	磁性放油螺塞	Magnetic oil drain plug screw	1					
7	Q5221230	定位销	Locating pin	2					
8	646-0027	支架	Bracket	1	1069VCJEA-0ADA23 1069VCJEA-0ADA25				
9	WTD13X28	隔套	Spacer	2					
10	Q151B1250	螺栓	Bolt	2					
11	Q40312	弹性垫圈	Spring washer	2					
	646-4000	倒档总成	Reverse assy	1					
12	K20X32X32.5	滚针轴承	Needle bearing	1					
13	646-4811	倒档齿轮	Reverse gear	1					
14	646-4011	倒档齿轮轴	Reverse gear shaft	1					
15	17X1.8	O形密封圈	O-ring	1					
16	646-4056	倒档轴锁片	Locking plate for reversing shaft	1					
17	Q40310	弹簧垫圈	Spring washer	1					

1S10691710115 变速器(壳体及外围件) Transmission(housing and peripheral parts)

序号 No.	零件代号 Part No.	零件名称及规格. Part Name and Specification	适用车型及用量 (件) Applied Models and Quantity (Piece)						
			用量 Qty.	车型 Models	用量 Qty.	车型 Model	用量 Qty.	车型 Model	
18	Q151C1016	六角头螺栓	Hex head bolt	1	1069VCJEA-0ADA23 1069VCJEA-0ADA25				
	646-5000A1	二轴后轴承盖总成	Rear bearing cap, main shaft	1					
19	58X75X10TC	骨架油封	Framework oil seal	1					
20	8X15X6TC	骨架油封	Framework oil seal	1					
21	646-5012	里程表软轴接头	Odometer flexible shaft joint	1					
22	WB8X1.25X12	螺栓	Bolt	1					
23	Q40308	弹簧垫圈	Spring washer	1					
24	Q40108	平垫圈	Flat washer	1					
25	21X2.65	O形密封圈	O-ring	1					
26	646-5911F1	里程表从动齿轮	Odometer driven gear	1					
	646-5911F(646-15-00)	里程表从动齿轮	Odometer driven gear	1					
27	646-5022	二轴后轴纸垫	Rear axle paper packing, main shaft	1					
28	646-5021	二轴后轴承盖	Rear bearing cap, main shaft	1					
29	Q40310	弹簧垫圈	Spring washer	8					
30	WB1211033F3S	双头螺柱	Stud bolt	1					
31	Q341C10	螺母	Nut	1					
32	Q151C1035S	六角头螺栓	Hex head bolt	7					

1S10691710132 变速器（一轴及离合器壳） Transmission(primary shaft and clutch housing)



1S10691710132 变速器（一轴及离合器壳） Transmission(primary shaft and clutch housing)

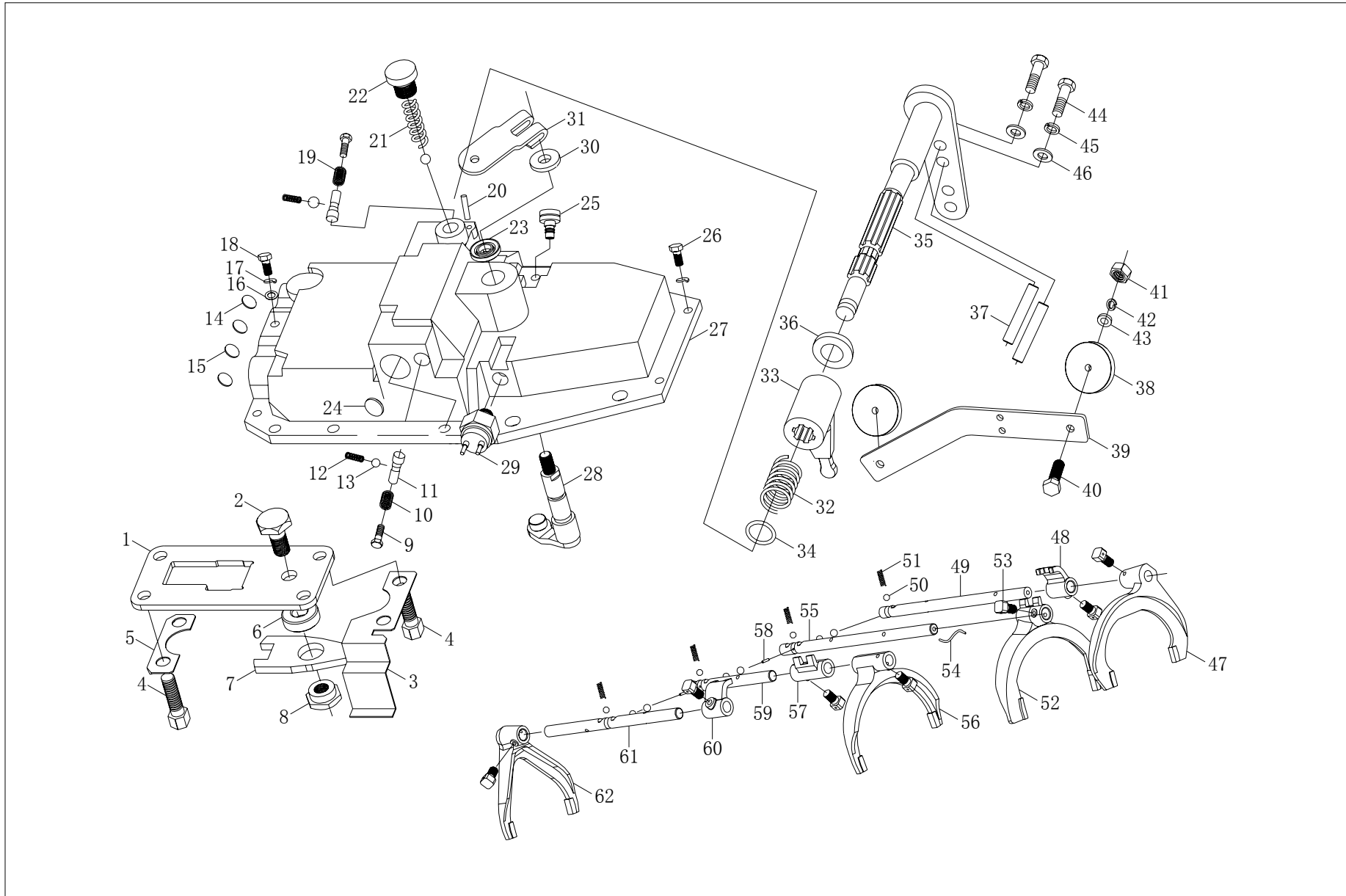
序号 No.	零件代号 Part No.	零件名称及规格.	Part Name and Specification	适用车型及用量（件） Applied Models and Quantity (Piece)					
				用量 Qty.	车型 Models	用量 Qty.	车型 Model	用量 Qty.	车型 Model
	1S10691710132	变速器	Transmission						
1	986813	分离轴承	Release bearing	1					
2	646L-0030	分离轴承润滑 软管总成	Lubrication hose assy for release bearing	1					
3	646L-0040A2	离合器分离轴承座	Clutch release bearing	1					
4	HK2536-2RS	滚针轴承	Needle bearing	2					
5	646L-0011A3	分离叉轴-离合器	Release fork – clutch	1					
6	646L-0041	离合器分离叉	Clutch release fork	1					
7	646L-0031	钢丝卡线	Steel strand	2					
8	646-1021A2	一轴盖	Primary shaft cap	1					
9	Q15101022	六角头螺栓	Hex head bolt	4	1069VCJEA-0ADA24 1069VCJEA-0ADA26 1069VCJEA-0ADA28 1069VCJEA-0ADA30				
	Q40310	弹簧垫圈	Spring washer	4					
10	40X55X7TC	骨架油封	Framework oil seal	1					
11	646L-0021A11	离合器壳体	Clutch housing	1					
12	646L-0015A1	离合器通风挡板	Draught damper of clutch	1					
13	Q150B0612	六角头螺栓	Hex head bolt	2					
14	Q40306	弹簧垫圈	Spring washer	2					
15	Q151B1240	六角头螺栓	Hex head bolt	6					
16	Q40312	弹簧垫圈	Spring washer	6					
17	Q40112	垫圈	Washer	6					
18	Q5500625	半圆键	Woodruff key	2					

1S10691710132 变速器（一轴及离合器壳） Transmission(primary shaft and clutch housing)

序号 No.	零件代号 Part No.	零件名称及规格. Part Name and Specification	Part Name and Specification	适用车型及用量（件） Applied Models and Quantity (Piece)					
				用量 Qty.	车型 Models	用量 Qty.	车型 Model	用量 Qty.	车型 Model
19	Q701B45	弯颈式润脂嘴	Swan neck grease nozzle	3					
20	Q150B1035	六角头螺栓	Hex head bolt						
21	Q40310	弹簧垫圈	Spring washer	2					
22	646L-0027	分离叉臂	Releas fork arm	1					
	646-1000A2	一轴总成	Primary shaft assy	1					
23	WB43345	挡圈	Circlip	1					
24	Q433100	挡圈	Circlip	1					
25	WB6309EN/C3	滚子轴承	Roller bearing	1					
26	646-1010A3	第一轴	Primary shaft	1					
					1069VCJEA-0ADA24				
					1069VCJEA-0ADA26				
					1069VCJEA-0ADA28				
					1069VCJEA-0ADA30				



1S10691710132 变速器（上盖及换档机构） Transmission(Upper cover and gearshift)



1S10691710132 变速器（上盖及换档机构） Transmission(Upper cover and gearshift)

序号 No.	零件代号 Part No.	零件名称及规格. Part Name and Specification	适用车型及用量（件） Applied Models and Quantity (Piece)						
			用量 Qty.	车型 Models	用量 Qty.	车型 Model	用量 Qty.	车型 Model	
	1S10691710132	变速器							
	646-6000A2	上盖总成	1						
	646-6020	导向板总成	1						
1	646-6025	导向板	1						
2	WTM12×1.25×27	螺栓	1						
3	646-6936	锁片	1						
4	Q151C1020	螺栓	4						
5	646-6036	锁片	1						
6	646-6034	隔套	1						
7	646-6577	五、六档转换摇臂	1	1069VCJEA-0ADA24					
8	WTM12×1.25	螺母	1	1069VCJEA-0ADA26					
9	WTM14X1.5X8	螺塞	2	1069VCJEA-0ADA28					
10	WBY152.5X1.4X4	阻力弹簧	1	1069VCJEA-0ADA30					
11	646-6095	阻力销	2						
12	WBY122X1.2X2.7	锁球弹簧	2						
13	Q966079	钢球	3						
14	WB722 24X18	碗形塞片	1						
15	Q72120	塞片	3						
16	Q40110	平垫圈	1						
17	Q40310	弹簧垫圈	1						
18	Q151C1060	六角头螺栓	1						

1S10691710132 变速器（上盖及换挡机构） Transmission(Upper cover and gearshift)

序号 No.	零件代号 Part No.	零件名称及规格. Part Name and Specification	适用车型及用量（件） Applied Models and Quantity (Piece)						
			用量 Qty.	车型 Models	用量 Qty.	车型 Model	用量 Qty.	车型 Model	
19	WBYI50X1.3X3.8	阻力弹簧	Damping spring	1					
20	1700N-328	圆柱销	Cylindrical pin	1					
21	WBYI19.7X1.7X2.75	弹簧	Spring	1					
22	WTM16X1.5X17.5	螺塞	Screw plug	1					
23	19X31X5TC	骨架油封	Framework oil seal	1					
24	Q72217	碗形塞片	Bowl type plug	1					
25	646-6029	通气塞	Breather plug	1					
26	WB1841025	上盖螺栓	Upper cover bolt	10					
27	646-6021	上盖	Upper cover	1					
28	646-6080A1	选档轴总成	Gear selecting shaft assy	1	1069VCJEA-0ADA24				
29	WK-17	倒车灯开关	Back-up lamp switch	1	1069VCJEA-0ADA26				
30	646-6084	平垫	Flat gasket	1	1069VCJEA-0ADA28				
31	646-6087	选档臂	Gear selecting arm	1	1069VCJEA-0ADA30				
32	WBYI34X1.6X9	弹簧	Spring	1					
33		换挡拨头	Shifting block	1					
34	646-6074	平垫	Flat gasket	1					
35	646-6070A2	换挡轴总成	Gear shift shaft assy	1					
36	24X32X5TC	骨架油封	Framework oil seal	1					
37	646-6974A1	隔套	Spacer	2					
38	646-6975	换挡平衡块	Gear shift balance block	2					
39	646-6977	换挡平衡臂	Gear shift balance arm	1					

1S10691710132 变速器（上盖及换档机构）Transmission(Upper cover and gearshift)

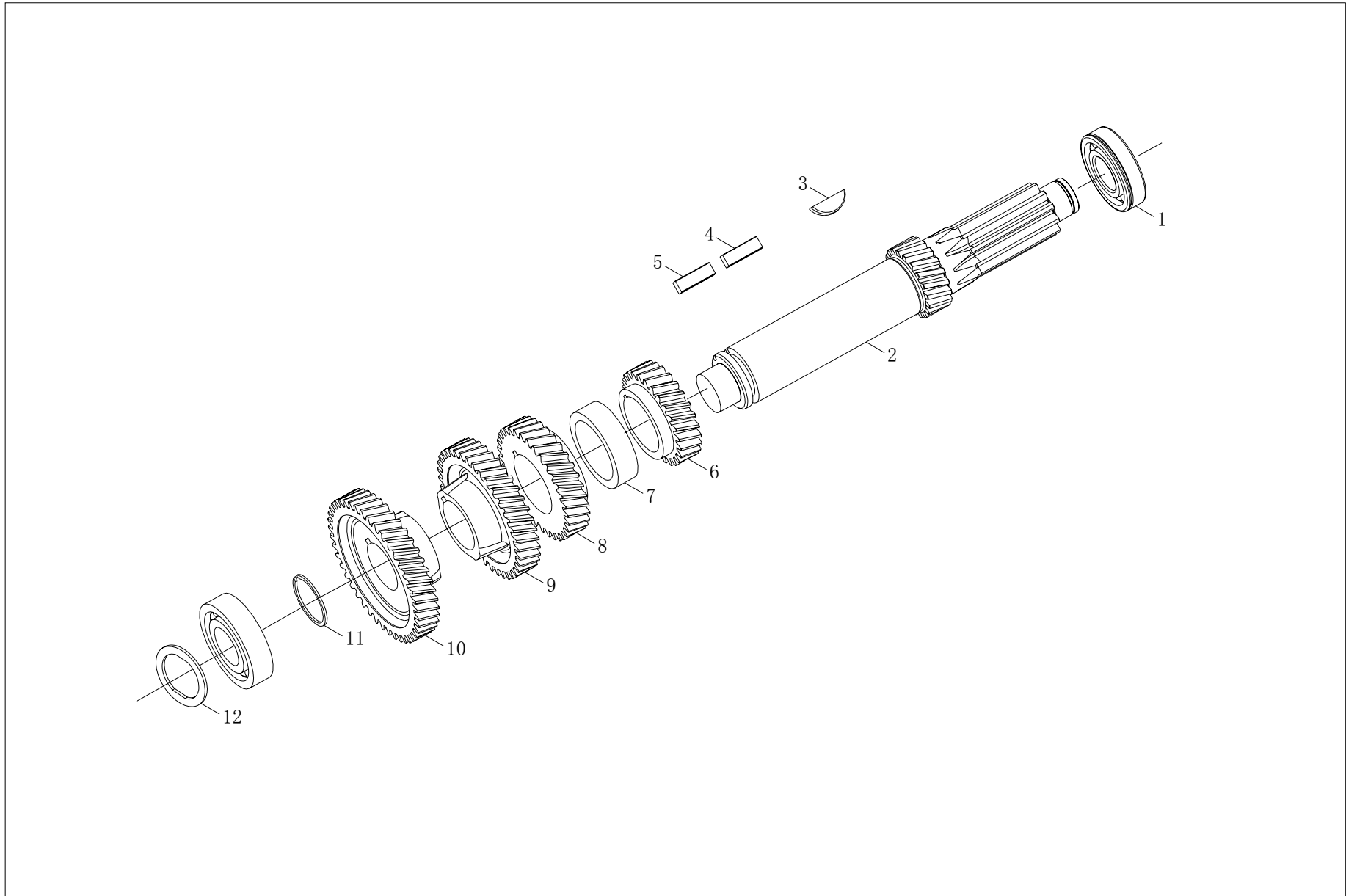
序号 No.	零件代号 Part No.	零件名称及规格. Part Name and Specification	适用车型及用量（件） Applied Models and Quantity (Piece)						
			用量 Qty.	车型 Models	用量 Qty.	车型 Model	用量 Qty.	车型 Model	
40	Q150B1030	螺栓	Bolt	2	1069VCJEA-0ADA24 1069VCJEA-0ADA26 1069VCJEA-0ADA28 1069VCJEA-0ADA30				
41	Q340B10	螺母	Nut	2					
42	Q40310	弹簧垫圈	Spring washer	2					
43	Q40110	平垫圈	Flat washer	2					
44	Q150B0830	螺栓	Bolt	4					
45	Q40308	弹簧垫圈	Spring washer	4					
46	Q40108	平垫圈	Flat washer	4					
47	646-6573	五、六档变速拨叉	5/6 gear shift fork	1					
48	646-6575	五、六档变速导块	5/6 gear shift block	1					
49	646-6571	五、六档变速叉轴	5/6 gear shift fork shaft	1					
50	Q96610319	钢球	Steel ball	10					
51	WBYI34X1.6X2.7	锁球弹簧	Lock ball spring	4					
52	646-6373	三、四档变速拨叉	3/4 gear shift fork	1					
53	WTM8X1.25X17	止动螺栓	Catch bolt	7					
54	Q50512170	钢丝锁线	Steel wire cable	7					
55	646-6371	三、四档变速叉轴	3/4 gear shift fork shaft	1					
56	646-6173	一、二档变速拨叉	1/2 gear shift fork	1					
57	646-6175	一、二档变速导块	1/2 gear shift block	1					
58	646-6045	互锁销	Interlock pin	2					
59	646-6171	一、二档变速叉轴	1/2 gear shift fork shaft	1					
60	646-6875	倒档变速导块	Reverse gear shift block	1					

1S10691710132 变速器（上盖及换档机构）Transmission(Upper cover and gearshift)

序号 No.	零件代号 Part No.	零件名称及规格. Part Name and Specification	适用车型及用量（件） Applied Models and Quantity (Piece)					
			用量 Qty.	车型 Models	用量 Qty.	车型 Model	用量 Qty.	车型 Model
61	646-6871	倒档变速叉轴	1	1069VCJEA-0ADA24 1069VCJEA-0ADA26 1069VCJEA-0ADA28 1069VCJEA-0ADA30				
62	646-6873	倒档变速拨叉	1					



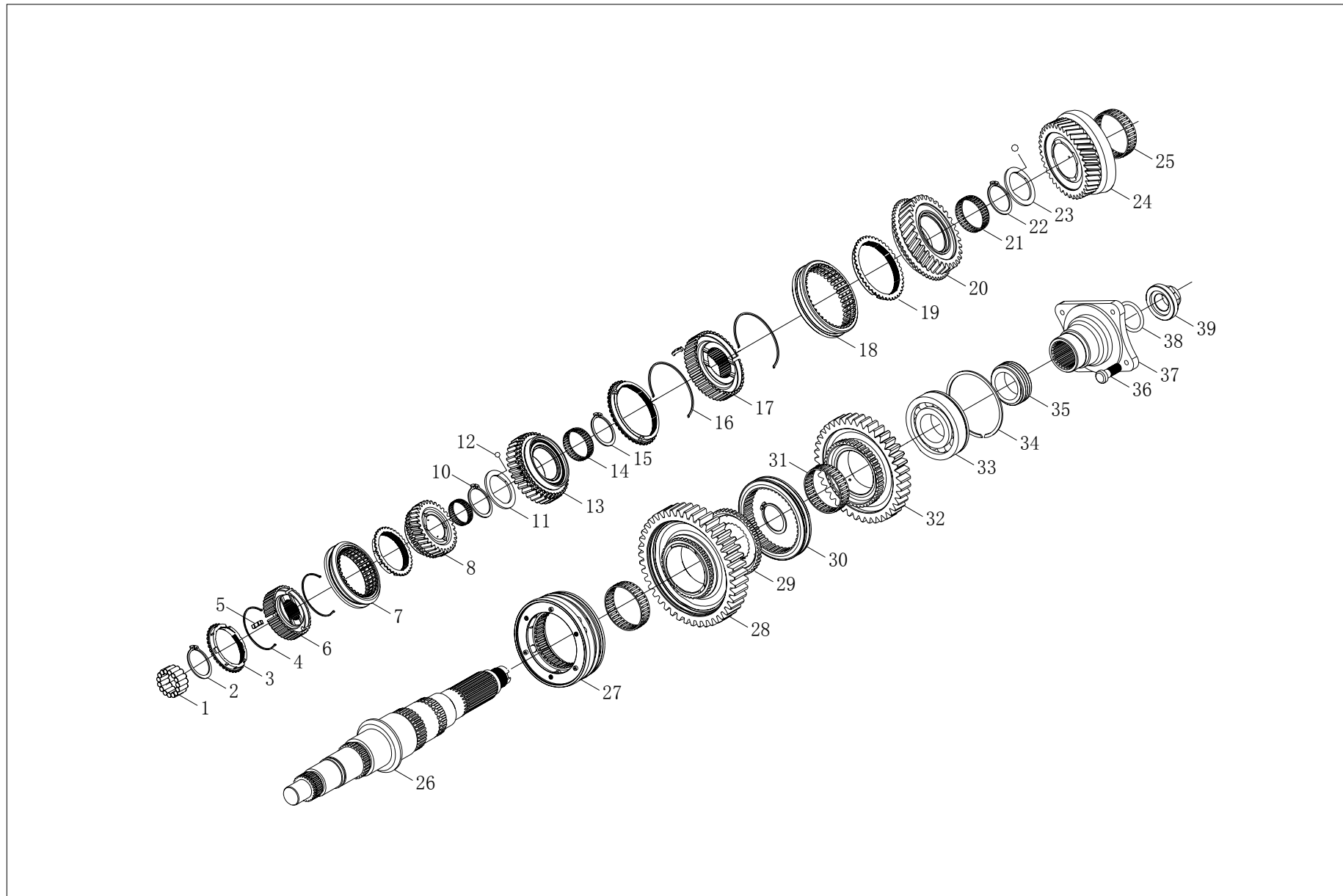
1S10691710132 变速器（中间轴总成） Transmission(countershaft assy)



1S10691710132 变速器（中间轴总成） Transmission(countershaft assy)

序号 No.	零件代号 Part No.	零件名称及规格.	Part Name and Specification	适用车型及用量（件） Applied Models and Quantity (Piece)					
				用量 Qty.	车型 Models	用量 Qty.	车型 Model	用量 Qty.	车型 Model
	1S10691710132	变速器	Transmission						
	646-2000A1	中间轴总成	Countershaft assy	1					
1	NJ307EV	滚子轴承	Roller bearing	2					
2	646-2011	中间轴	Countershaft	1					
3	Q5501032	半圆键	Woodruff key	1					
4	WB551 15X10X78	普通平键	Parallel key	1					
5	WB551 15X10X43	普通平键	Parallel key	1					
6	646-2311	中间轴三档齿轮	Countershaft 3rd gear	1					
7	646-2034	隔套	Spacer	1					
8	646-2411A1	中间轴四档齿轮	Countershaft 4th gear	1	1069VCJEA-0ADA24 1069VCJEA-0ADA26 1069VCJEA-0ADA28 1069VCJEA-0ADA30				
9	646-2611	中间轴六档齿轮	Countershaft 6th gear	1					
10	646-2511	中间轴常啮合齿轮	Countershaft constant mesh gear	1					
11	Q43150	轴用弹性挡圈	Circlip for shaft	1					
12	WTD64X78X0.1	中间轴前轴承 调整垫片	Adjusting shim of front bearing for countershaft	选装 Optional					
	WTD64X78X0.3	中间轴前轴承 调整垫片	Adjusting shim of front bearing for countershaft						
	WTD64X78X0.5	中间轴前轴承 调整垫片	Adjusting shim of front bearing for countershaft						

1S10691710132 变速器（二轴总成） Transmission(main shaft assy)



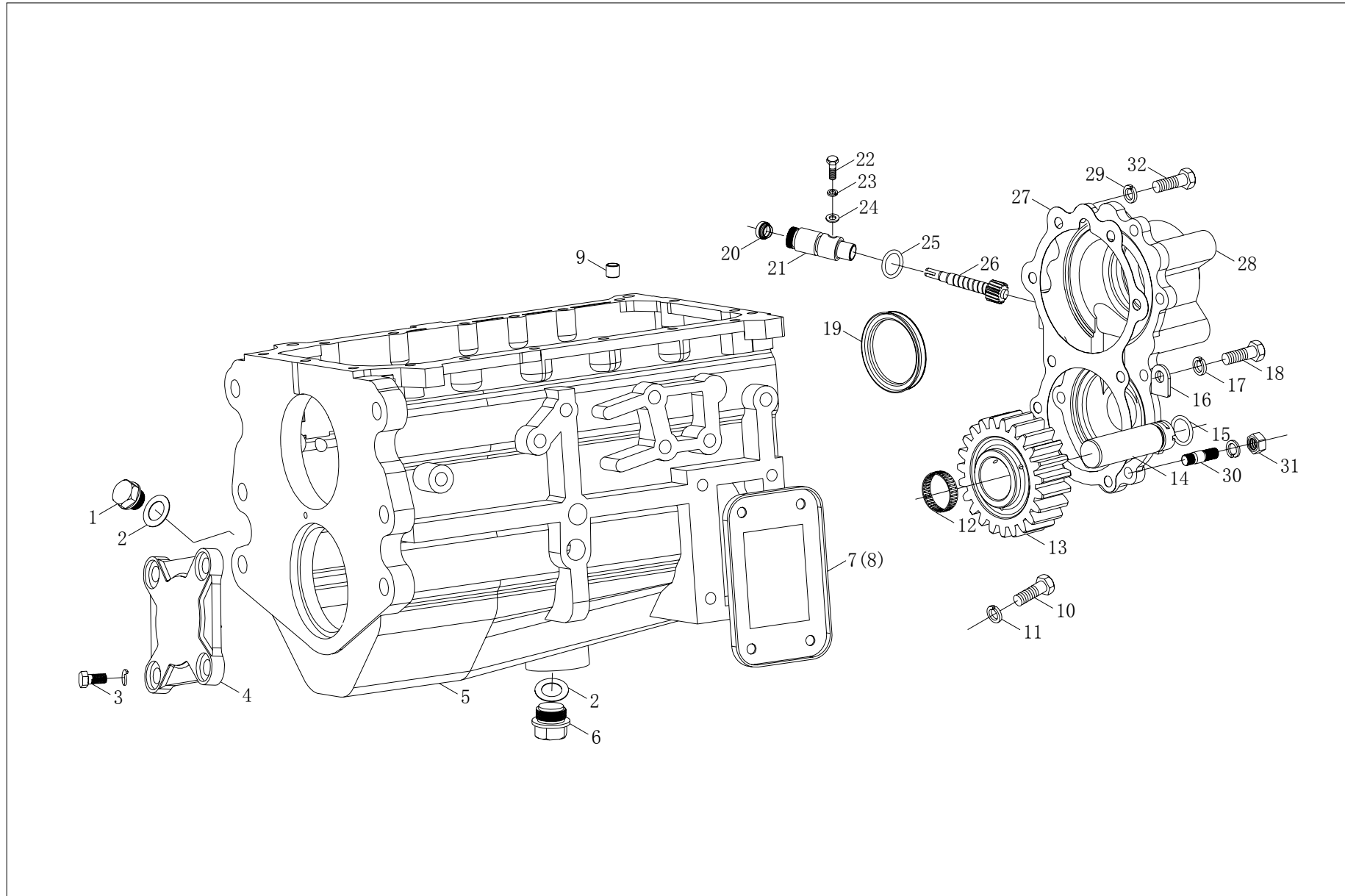
1S10691710132 变速器（二轴总成） Transmission(main shaft assy)

序号 No.	零件代号 Part No.	零件名称及规格.	Part Name and Specification	适用车型及用量（件） Applied Models and Quantity (Piece)					
				用量 Qty.	车型 Models	用量 Qty.	车型 Model	用量 Qty.	车型 Model
	1S10691710132	变速器	Transmission						
	646-3000A1	二轴总成	Main shaft assy						
1	K30X45X30	滚针轴承	Needle bearing						
2	WB43339	挡圈	Circlip	1					
3	646-3562	五六档同步器铜环	5/6 gear synchronizer copper ring	1					
4	WB434 88X1.5	五六档同步器弹簧	5/6 gear synchronizer spring	1					
5	646-3365	同步器滑块	Synchronizer sliding block	2					
6	646-3563	五六档同步器齿座	5/6 gear synchronizer gear seat	2					
7	646-3564	五六档同步器齿套	5/6 gear synchronizer gear sleeve	6					
8	651-3610	二轴六档齿轮	6th gear, main shaft	1	1069VCJEA-0ADA24				
10	WB43340	挡圈	Circlip	1	1069VCJEA-0ADA26				
11	646-3435	止推片	Thrust gasket	1	1069VCJEA-0ADA28				
12	Q96604	钢球	Steel ball	1	1069VCJEA-0ADA30				
13	646-3410A1	二轴四档齿轮合件	4 gear assembly, main shaft	1					
14	K52X58X30.9	滚针轴承	Needle bearing	2					
15	WB43352X2.35	挡圈	Circlip	1					
16	WB434 140X1.5	三四档同步器弹簧	3/4 gear synchronizer spring	2					
17	646-3363	三四档同步器齿座	3/4 gear synchronizer gear seat	1					
18	646-3364	三四档同步器齿套	3/4 gear synchronizer gear sleeve	1					
19	646-3362	三四档同步器铜环	3/4 gear synchronizer copper ring	2					
20	646-3310	二轴三档齿轮合件	3 gear assembly, main shaft	1					

1S10691710132 变速器（二轴总成） Transmission(main shaft assy)

序号 No.	零件代号 Part No.	零件名称及规格. Part Name and Specification	适用车型及用量（件） Applied Models and Quantity (Piece)						
			用量 Qty.	车型 Models	用量 Qty.	车型 Model	用量 Qty.	车型 Model	
21	K57X64X34	滚针轴承	Needle bearing	2					
22	WB43157	挡圈	Circlip	1					
23	646-3235	止推片	Thrust gasket	2					
24	646-3210	二轴二档齿轮合件	2 gear assembly, main shaft	1					
25	K64X71X41.5ZW	滚针轴承	Needle bearing	1					
26	646-3011A1	第二轴	Main shaft	1					
27	646-3160	一二档同步器总成	1/2 gear synchronizer assy	1					
28	646-3110	二轴一档齿轮合件	1st gear assembly, main shaft	1					
29	646-3863	倒档齿座	Reverse gear	1					
30	646-3864	倒档齿套	Reverse gear	1					
31	K52X58X23.5	滚针轴承	Needle bearing	1	1069VCJEA-0ADA24				
32	646-3810	倒档齿轮合件	Reverse gear assy	1	1069VCJEA-0ADA26				
33	6309NC3	深沟球轴承	Deep groove ball bearing	1	1069VCJEA-0ADA28				
34	Q43339	挡圈	Circlip	1	1069VCJEA-0ADA30				
35	646-3911F	里程表主动齿轮	Odometer driving gear	1					
36	1700Q08-173	突缘螺栓	Flange bolt	4					
37	646-3921A2	突缘	Flange	1					
38	38.7X3.55	O形密封圈	O-ring	1					
39	530-816B	螺母	Nut	1					

1S10691710132 变速器（壳体及外围件） Transmission(Housing and peripheral parts)



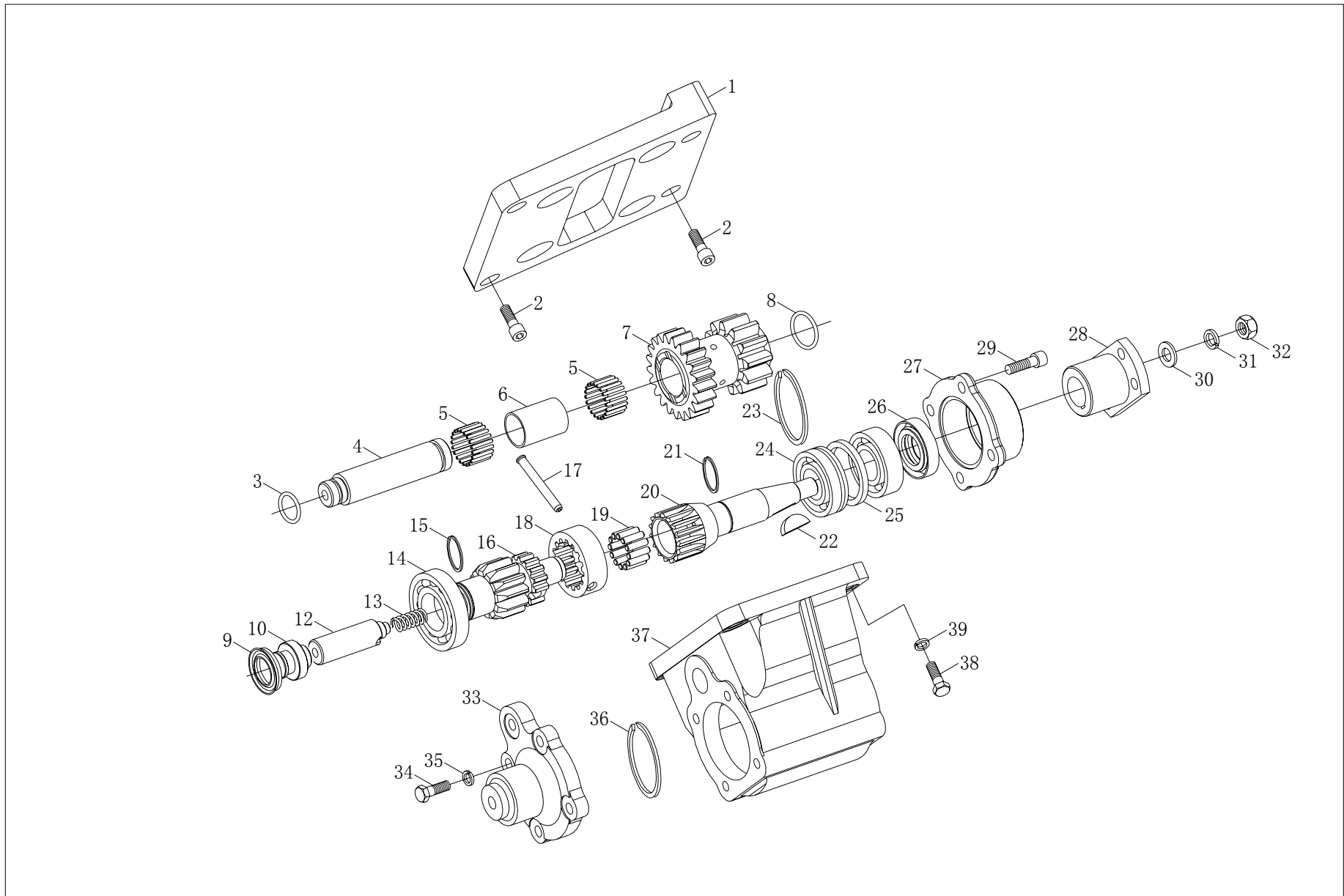
1S10691710132 变速器（壳体及外围件）Transmission(Housing and peripheral parts)

序号 No.	零件代号 Part No.	零件名称及规格.	Part Name and Specification	适用车型及用量（件） Applied Models and Quantity (Piece)					
				用量 Qty.	车型 Models	用量 Qty.	车型 Model	用量 Qty.	车型 Model
	1S10691710132	变速器	Transmission						
1	1700N-402	螺塞	Screw plug	1					
2	WTD32X24.5X2	橡胶垫	Rubber gasket	2					
3	Q151B1220	螺栓	Bolt	4					
	Q40312	弹簧垫片	Spring gasket	4					
4	646-2021	中间轴前轴承盖	Front bearing cap, countershaft	1					
5	646-0021	壳体	Housing	1					
6	WB623M24	磁性放油螺塞	Magnetic oil drain plug screw	1					
7	646-0022	倒档孔纸垫	Paper gasket of reversing gear hole	1					
8		倒档孔盖	Rear gear hole cover	1	1069VCJEA-0ADA24				
9	Q5221230	定位销	Locating pin	2	1069VCJEA-0ADA26				
10	Q151B1220	螺栓	Bolt	1	1069VCJEA-0ADA28				
11	Q40312	弹性垫圈	Spring washer	1	1069VCJEA-0ADA30				
12	K20X32X32.5	滚针轴承	Needle bearing	1					
13	646-4811	倒档齿轮	Reverse gear	1					
14	646-4011	倒档齿轮轴	Reverse gear shaft	1					
15	17X1.8	O形密封圈	O-ring	1					
16	646-4056	倒档轴锁片	Locking plate for reversing shaft	1					
17	Q40310	弹簧垫圈	Spring washer	1					
18	Q151C1016	六角头螺栓	Hex head bolt	1					
19	58X75X10TC	骨架油封	Framework oil seal	1					

1S10691710132 变速器（壳体及外围件）Transmission(Housing and peripheral parts)

序号 No.	零件代号 Part No.	零件名称及规格.	Part Name and Specification	适用车型及用量（件） Applied Models and Quantity (Piece)					
				用量 Qty.	车型 Models	用量 Qty.	车型 Model	用量 Qty.	车型 Model
20	8X15X6TC	骨架油封	Framework oil seal	1					
21	646-5012	里程表软轴接头	Odometer flexible shaft joint	1					
22	WB8X1.25X12	螺栓	Bolt	1					
23	Q40308	弹簧垫圈	Spring washer	1					
24	Q40108	平垫圈	Flat washer	1					
25	21X2.65	O形密封圈	O-ring	1					
26	646-5911F1	里程表从动齿轮	Odometer driven gear	1					
27	646-5022	二轴后轴纸垫	Rear axle paper packing, main shaft	1					
28	646-5021	二轴后轴承盖	Rear bearing cap, main shaft	1					
29	Q40310	弹簧垫圈	Spring washer	8	1069VCJEA-0ADA24				
30	WB1211033F3S	双头螺柱	Stud bolt	1	1069VCJEA-0ADA26				
31	Q341C10	螺母	Nut	1	1069VCJEA-0ADA28				
32	Q151C1035S	六角头螺栓	Hex head bolt	7	1069VCJEA-0ADA30				

1S10691710132 变速器（取力器总成） Transmission(Power take-off assembly)



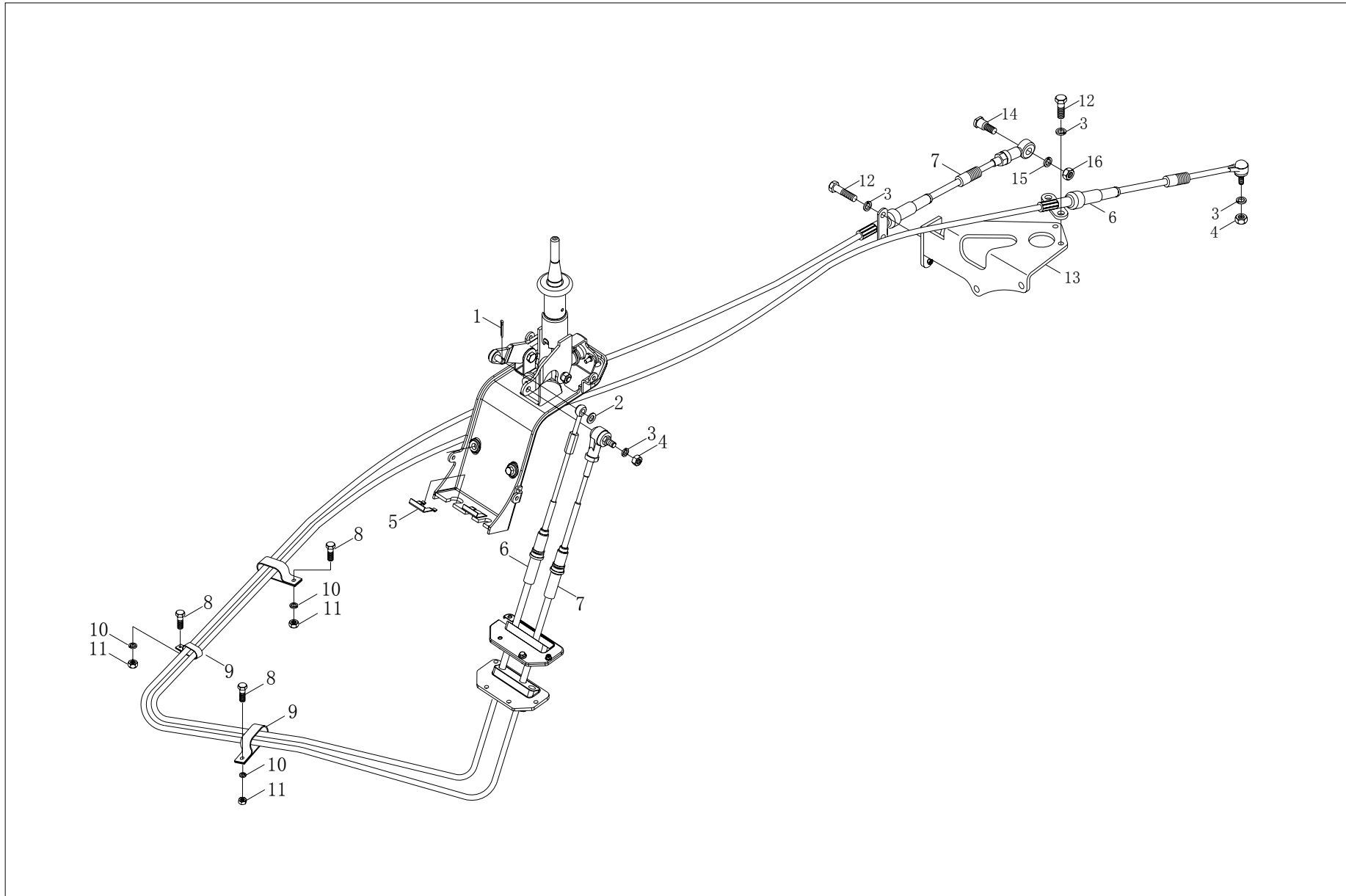
1S10691710132 变速器（取力器总成） Transmission(Power take-off assembly)

序号 No.	零件代号 Part No.	零件名称及规格.	Part Name and Specification	适用车型及用量（件） Applied Models and Quantity (Piece)					
				用量 Qty.	车型 Models	用量 Qty.	车型 Model	用量 Qty.	车型 Model
	1S10691710132	变速器	Transmission						
	646Q-0000B1	取力器总成	Power take-off assembly	1					
1	646Q-0921A1	连接板	Connecting plate	1					
2	WB2581232	内六角沉头螺钉	Hexagon socket countersunk head screw	4					
3	16X1.8	O 形密封圈	O-ring	1					
4	646Q-2911B1	取力器输入轴	Input shaft of power take-off	1					
5	K253020	滚针轴承	Needle bearing	2					
6	646Q-2034	隔套	Spacer	1					
7	646Q-2011	输入轴双联齿轮	Duplicate gear of input shaft	1					
8	φ20.6 X25.4X2.4	O 形密封圈	O-ring	1	1069VCJEA-0ADA24 1069VCJEA-0ADA26 1069VCJEA-0ADA28 1069VCJEA-0ADA30				
9	WB18X30X6	Y 形密封圈	O-ring	1					
10	646Q-3033	活塞	Piston	1					
11	Q966075	钢球	Steel ball	1					
12	646Q-3011	推杆	Push rod	1					
13	WBY1 11.2X1.8X27	回位弹簧	Return spring	1					
14	6206	球轴承	Ball bearing	1					
15	Q43130	轴用弹性挡圈	Circlip for shaft	1					
16	646Q-3111B1	中间轴	Countershaft	1					
17	WB4640655	120°沉头半空心铆钉	120° sunk semitubular rivet	1					
18	646Q-3164	滑动齿套	Slide gear sleeve	1					
19	K202520	滚针轴承	Needle bearing	1					

1S10691710132 变速器（取力器总成） Transmission(Power take-off assembly)

序号 No.	零件代号 Part No.	零件名称及规格. Part Name and Specification	适用车型及用量（件） Applied Models and Quantity (Piece)						
			用量 Qty.	车型 Models	用量 Qty.	车型 Model	用量 Qty.	车型 Model	
20	646Q-3911A2	输出轴	Output shaft	1	1069VCJEA-0ADA24 1069VCJEA-0ADA26 1069VCJEA-0ADA28 1069VCJEA-0ADA30				
21	Q43125	轴用弹性挡圈	Circlip for shaft	1					
22	Q5500625	半圆键	Woodruff key	1					
23	Q43352	轴用压扁钢丝挡圈	Steel wire circlip for shaft	1					
24	6205N	球轴承	Ball bearing	2					
25	646Q-3034	隔套	Spacer	1					
26	25X45X10TC	骨架油封	Framework oil seal	1					
27	646Q-3021	取力器输出盖	Output cover of power take-off	1					
28	646Q-3821	输出法兰	Output flange	1					
29	Q218B0825S	内六角圆柱头螺钉	Hex socket cap head screw	4					
30	Q40114	平垫圈	Flat washer	1					
31	Q40314	弹簧垫圈	Spring washer	1					
32	Q350B14	六角薄螺母	Hex thin nut	1					
33	646Q-3921	汽缸盖	Cylinder head	1					
34	Q150B0830S	螺栓	Bolt	5					
35	Q40308	弹簧垫圈	Spring washer	9					
36	Q43062	孔用弹性挡圈	Circlip for hole	1					
37	646Q-0021	取力器壳体	Power take-off housing	1					
38	Q151B1225	螺栓	Bolt	4					
39	Q40312	弹簧垫圈	Spring washer	4					

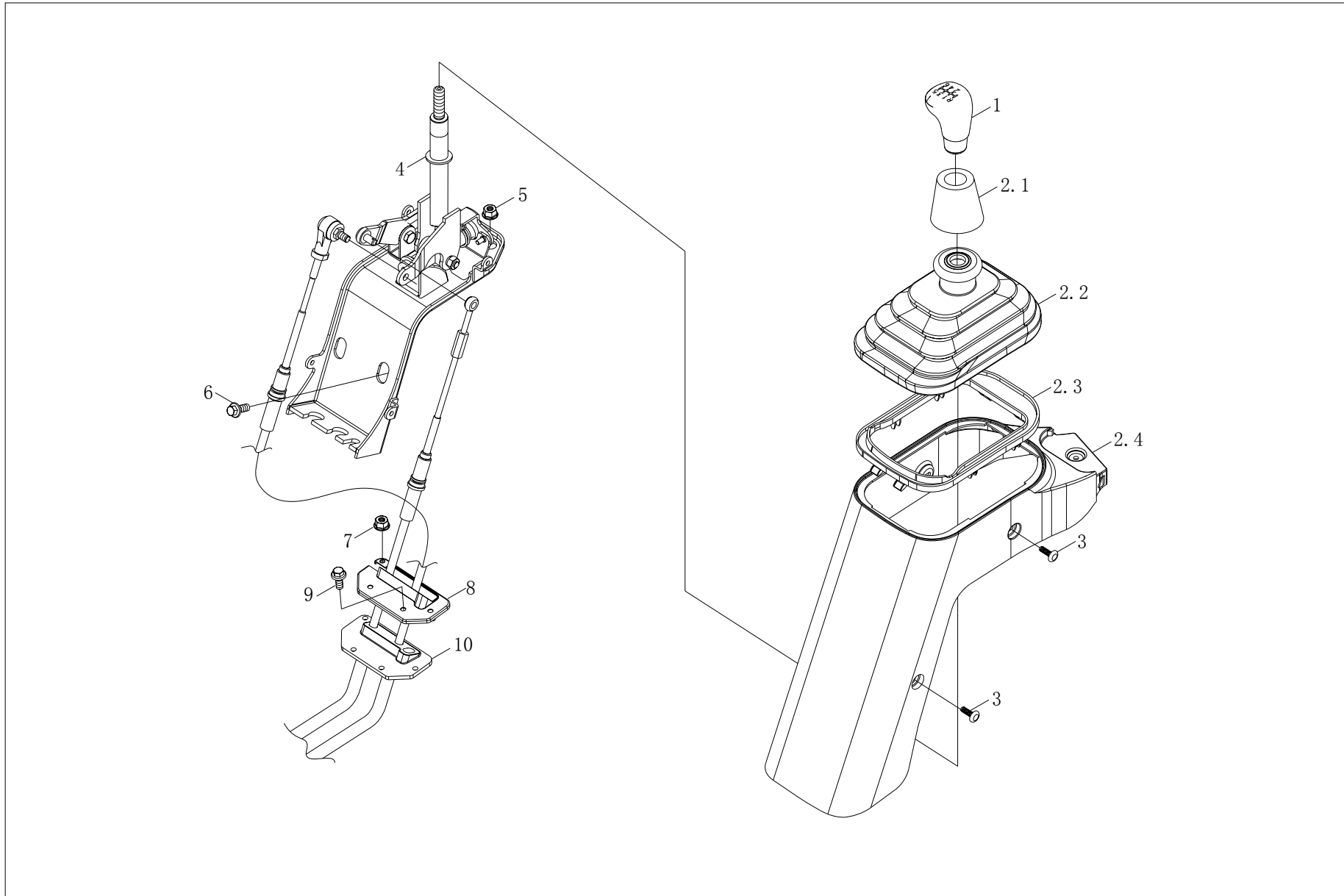
1S10691720205 变速器操纵机构 Gearbox control mechanism



1S10691720205 变速器操纵机构 Gearbox control mechanism

序号 No.	零件代号 Part No.	零件名称及规格. Part Name and Specification	适用车型及用量 (件) Applied Models and Quantity (Piece)						
			用量 Qty.	车型 Models	用量 Qty.	车型 Model	用量 Qty.	车型 Model	
	1S10691720205	变速器操纵机构	Gearbox control mechanism	1					
1	Q5002032	开口销	Cotter pin	1					
2	Q40108	平垫圈	Flat washer	1					
3	Q40308	弹簧垫圈	Spring washer	6					
4	Q340B08	1 型六角螺母	Hexagon nut, type-1	2					
5	1102917200003	锁片 II	Locking plate II	2					
6	1106917200013	换位软轴总成	Gear shift cable assembly	1					
7	1106917200012	换档软轴总成	Gear shift cable assembly	1					
8	Q150B0620	六角头螺栓	Hex head bolt	3					
9	Q687142F4	多管夹片	Multi-pipe clamping piece	3	1069VCJEA-0ADA23				
10	Q40306	弹簧垫圈	Spring washer	3	1069VCJEA-0ADA24				
11	Q340B06	1 型六角螺母	Hexagon nut, type-1	3	1069VCJEA-0ADA25				
12	Q150B0820	六角头螺栓	Hex head bolt	4	1069VCJEA-0ADA26				
13	1106917200016	软轴支架总成	Flexible shaft bracket assembly	1	1069VCJEA-0ADA28				
14	1106617200011	联结销	Coupling pin	1	1069VCJEA-0ADA30				
15	Q40310	弹簧垫圈	Spring washer	1					
16	Q340B10	1 型六角螺母	Hexagon nut, type-1	1					

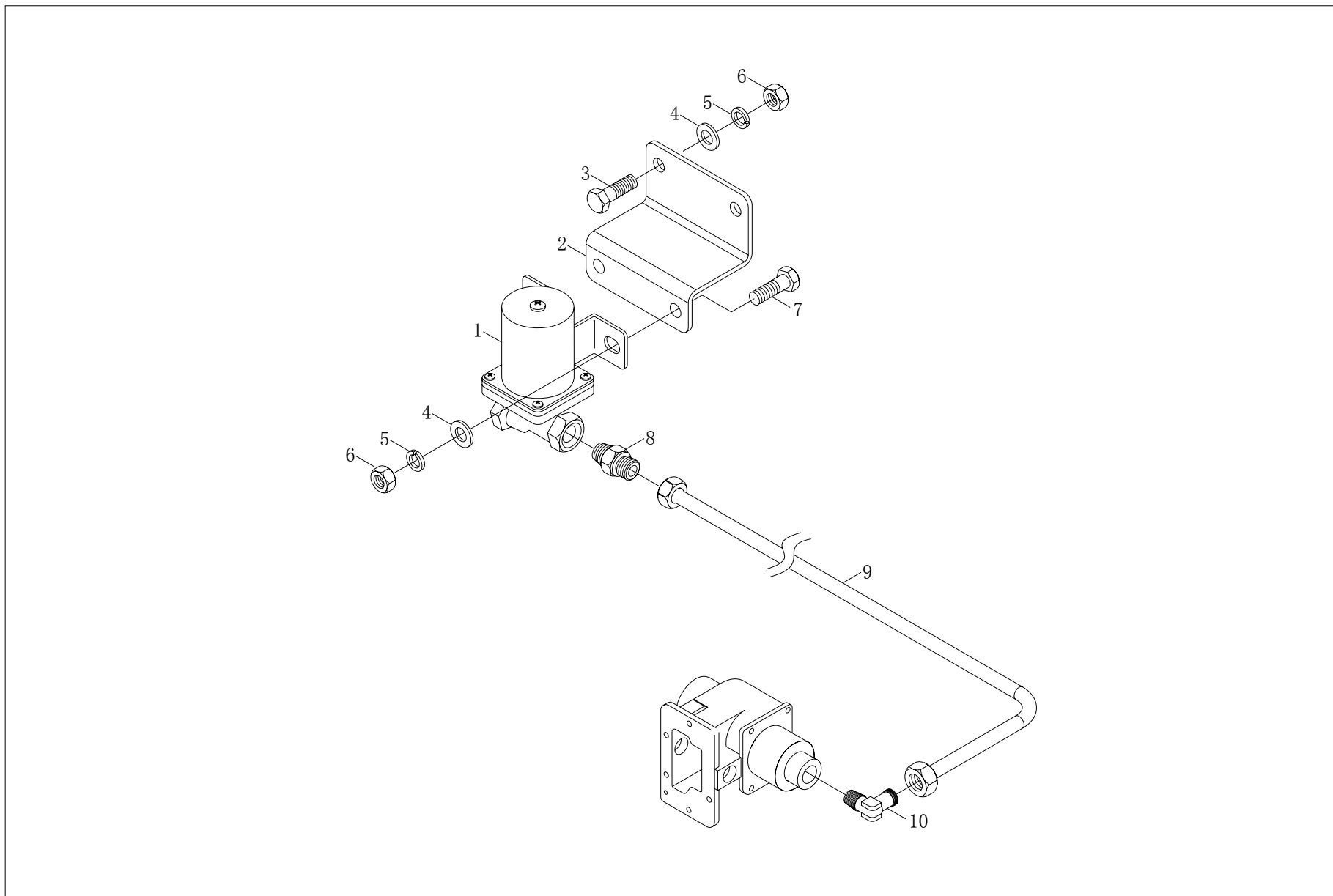
1S10691730206 变速操纵机构 Gearshift control mechanism



1S10691730206 变速操纵机构 Gearshift control mechanism

序号 No.	零件代号 Part No.	零件名称及规格.	Part Name and Specification	适用车型及用量 (件) Applied Models and Quantity (Piece)					
				用量 Qty.	车型 Models	用量 Qty.	车型 Model	用量 Qty.	车型 Model
	1S10691730206	变速操纵机构	Gearshift control mechanism						
1	1106917300006	手柄球总成	Handle ball assy	1					
2	1108917300020	变速操纵护罩总成	Variable-speed control shield assy	1					
2.1	1108917300024	防尘罩固定套	Dust cover fixing sleeve	1					
2.2	1108917300022	操纵杆护套	Control rod sleeve	1					
2.3	1108917300023	护套卡环	Sleeve snap ring	1					
2.4	1108917300021	操纵护壳	Protective casing for control	1					
3	1104917300047	塑料卡钉组合	Plastic attachment clip assy	4					
4	1108917300018	前变速操纵机构总成	Front gearshift control mechanism assy	1					
5	Q33008	全金属六角法兰面锁紧螺母	All-metal hex lock nut with flange	2	1069VCJEA-0ADA23				
6	Q1840820	六角法兰面螺栓	Hex flange bolt	2	1069VCJEA-0ADA24				
7	Q33005	全金属六角法兰面锁紧螺母	All-metal hex lock nut with flange	2	1069VCJEA-0ADA25				
8	1108917300004	压板	Pressure plate	1	1069VCJEA-0ADA26				
9	Q2140516	十字槽盘头螺钉	Cross recessed pan head screw	2	1069VCJEA-0ADA28				
10	1108917300003	软轴密封圈	Flexible shaft sealing ring	1	1069VCJEA-0ADA30				

1S10691740101 取力器操纵 Power takeoff control

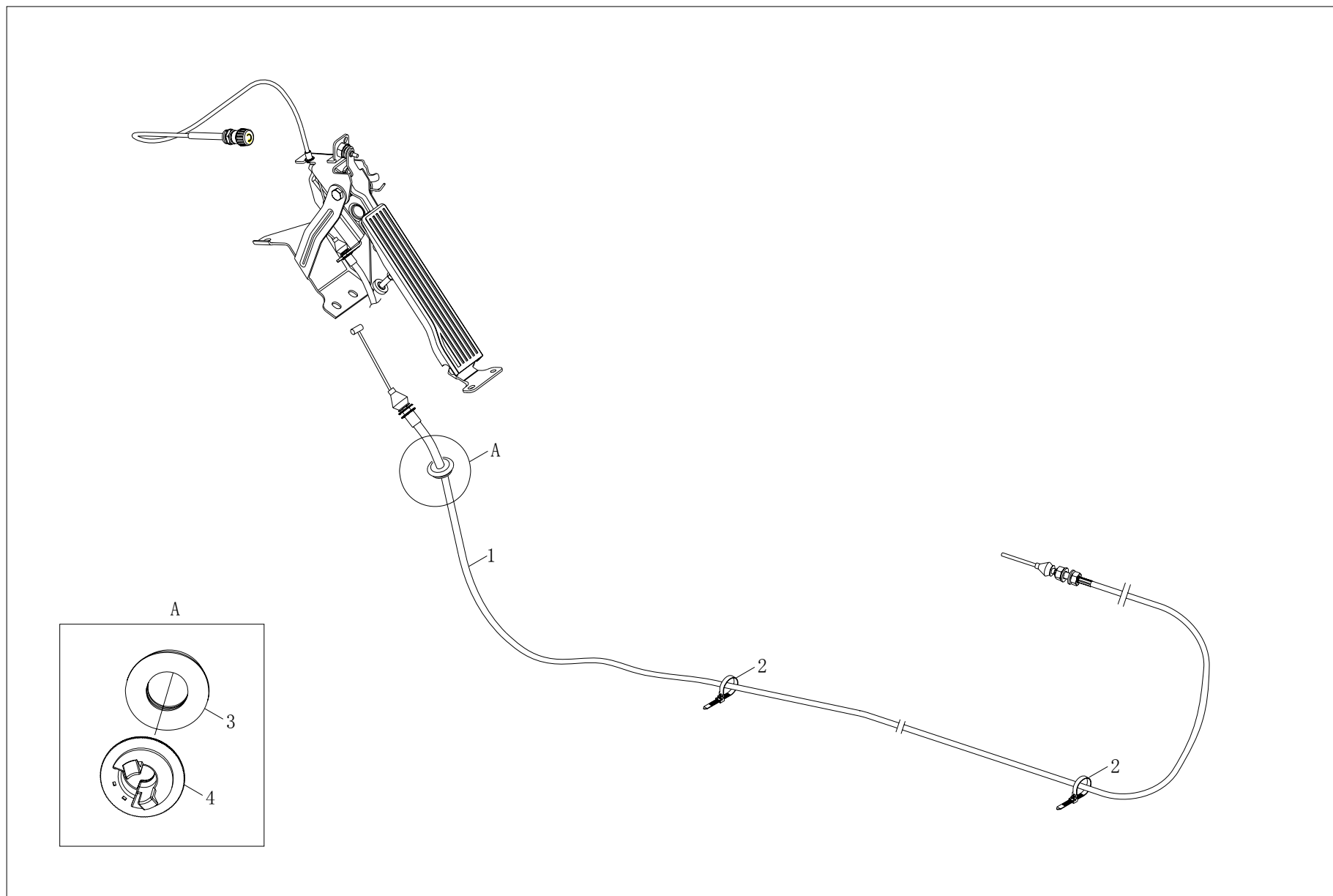


1S10691740101 取力器操纵 Power takeoff control

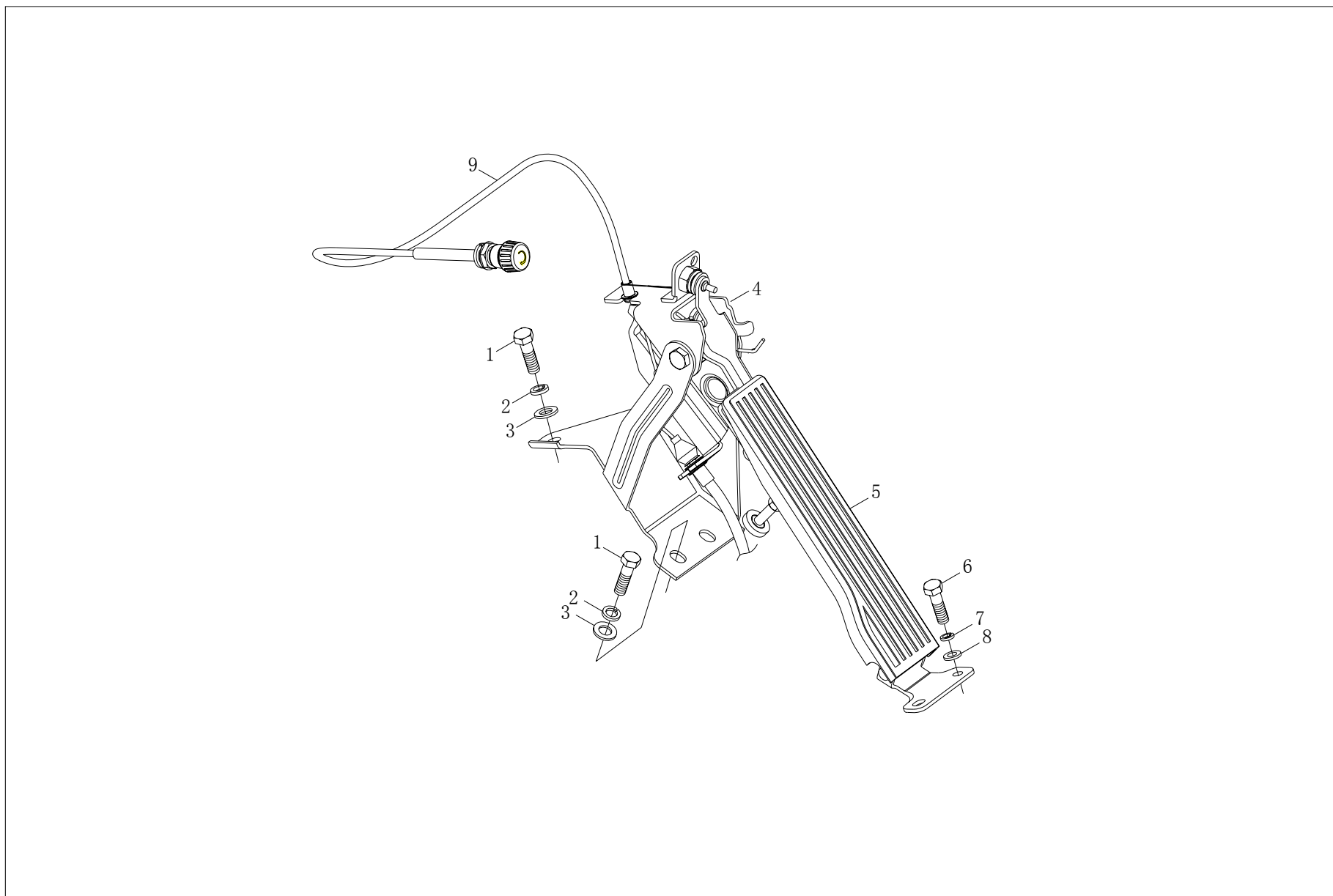
序号 No.	零件代号 Part No.	零件名称及规格.	Part Name and Specification	适用车型及用量 (件) Applied Models and Quantity (Piece)					
				用量 Qty.	车型 Models	用量 Qty.	车型 Model	用量 Qty.	车型 Model
	1S10691740101	取力器操纵	Power takeoff control	1					
1	1104336630011	电磁气阀	Solenoid valve	1					
2	1106917400003	电磁阀支架	Solenoid valve bracket	1					
3	Q150B0825	六角头螺栓	Hex head bolt	2					
4	Q40108	平垫圈	Flat washer	4					
5	Q40308	弹簧垫圈	Spring washer	4					
6	Q340B08	1 型六角螺母	Hexagon nut, type-1	4					
7	Q150B0820	六角头螺栓	Hex head bolt	2					
8	1104635000005	卡套式锥螺纹 直通接头体(一)	Ferrule male connector-body (I)	2					
9	1104335900008	制动阀— 气压表尼龙管总成 (一)	Brake valve- barometer nylon pipe assy (I)	1	1069VCJEA-0ADA24 1069VCJEA-0ADA26 1069VCJEA-0ADA28 1069VCJEA-0ADA30				
10	1106917400002	直角接头体	Right-angle connector	1					



1S10691180104 加速传动装置 Accelerating transmission



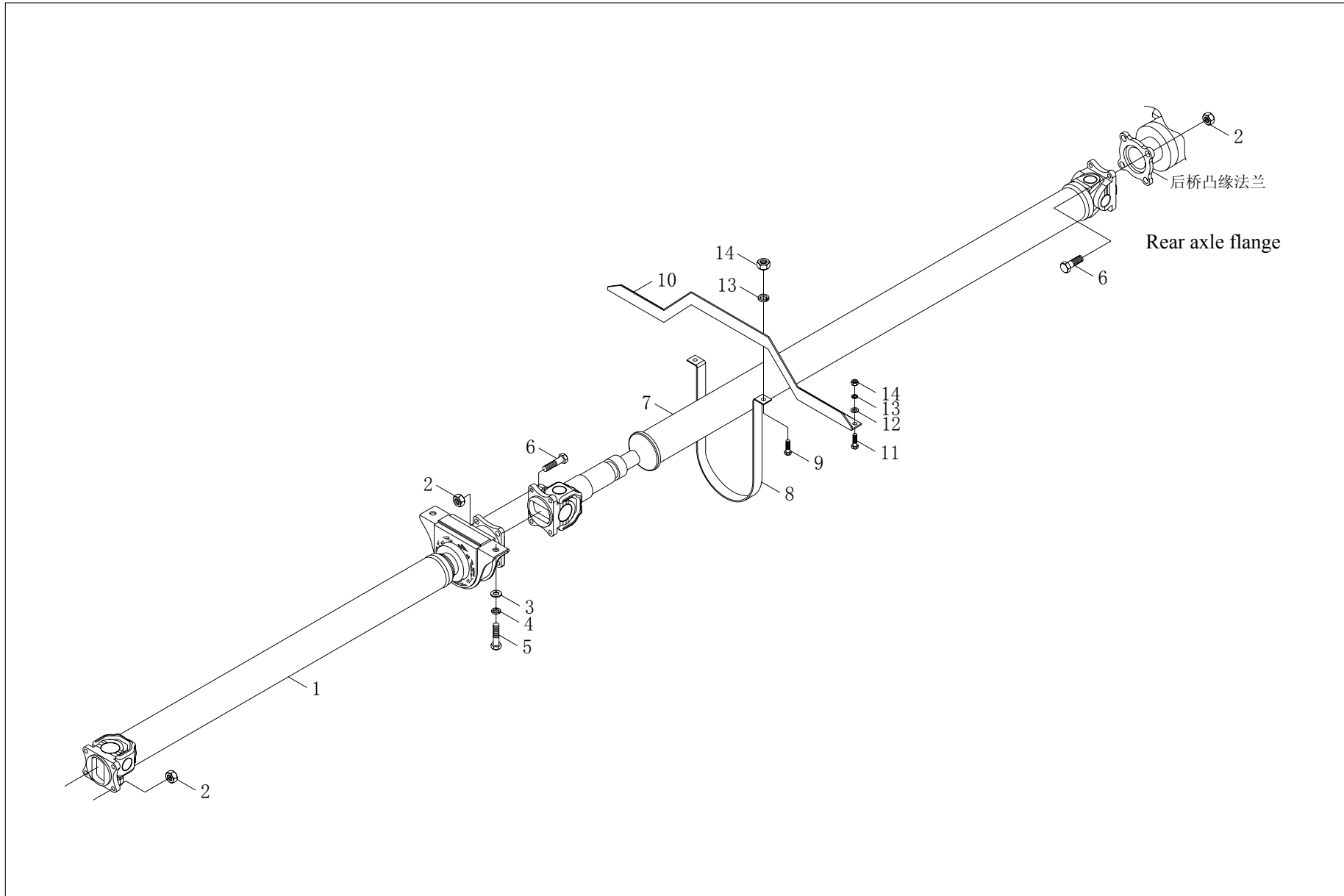
1S10491170103 加速传动装置（驾驶室部分） Accelerating transmission (Cab part)



1S10491170103 加速传动装置（驾驶室部分） Accelerating transmission (Cab part)

序号 No.	零件代号 Part No.	零件名称及规格.	Part Name and Specification	适用车型及用量（件） Applied Models and Quantity (Piece)					
				用量 Qty.	车型 Models	用量 Qty.	车型 Model	用量 Qty.	车型 Model
	1S10491170103	加速传动装置 （驾驶室部分）	Accelerating transmission （Cab part）	1					
1	Q150B0825F30	六角头螺栓	Hex head bolt	3					
2	Q40308F30	弹簧垫圈	Spring washer	3					
3	Q40108F30	平垫圈	Flat washer	3					
4	1104911700001	油门操纵机构总成	Throttle control mechanisms assembly	1					
5	1104911700004	油门踏板组件	Accelerator pedal assembly	1					
6	Q150B0625	六角头螺栓	Hex head bolt	2					
7	Q40306	弹簧垫圈	Spring washer	2					
8	Q40106	平垫圈	Flat washer	2					
9	1104911700017	手油门拉线总成	Throttle cable assembly	1					
					1069VCJEA-0ADA23				
					1069VCJEA-0ADA24				
					1069VCJEA-0ADA25				
					1069VCJEA-0ADA26				
					1069VCJEA-0ADA28				
					1069VCJEA-0ADA30				

1S10692200212 传动轴 Drive shaft

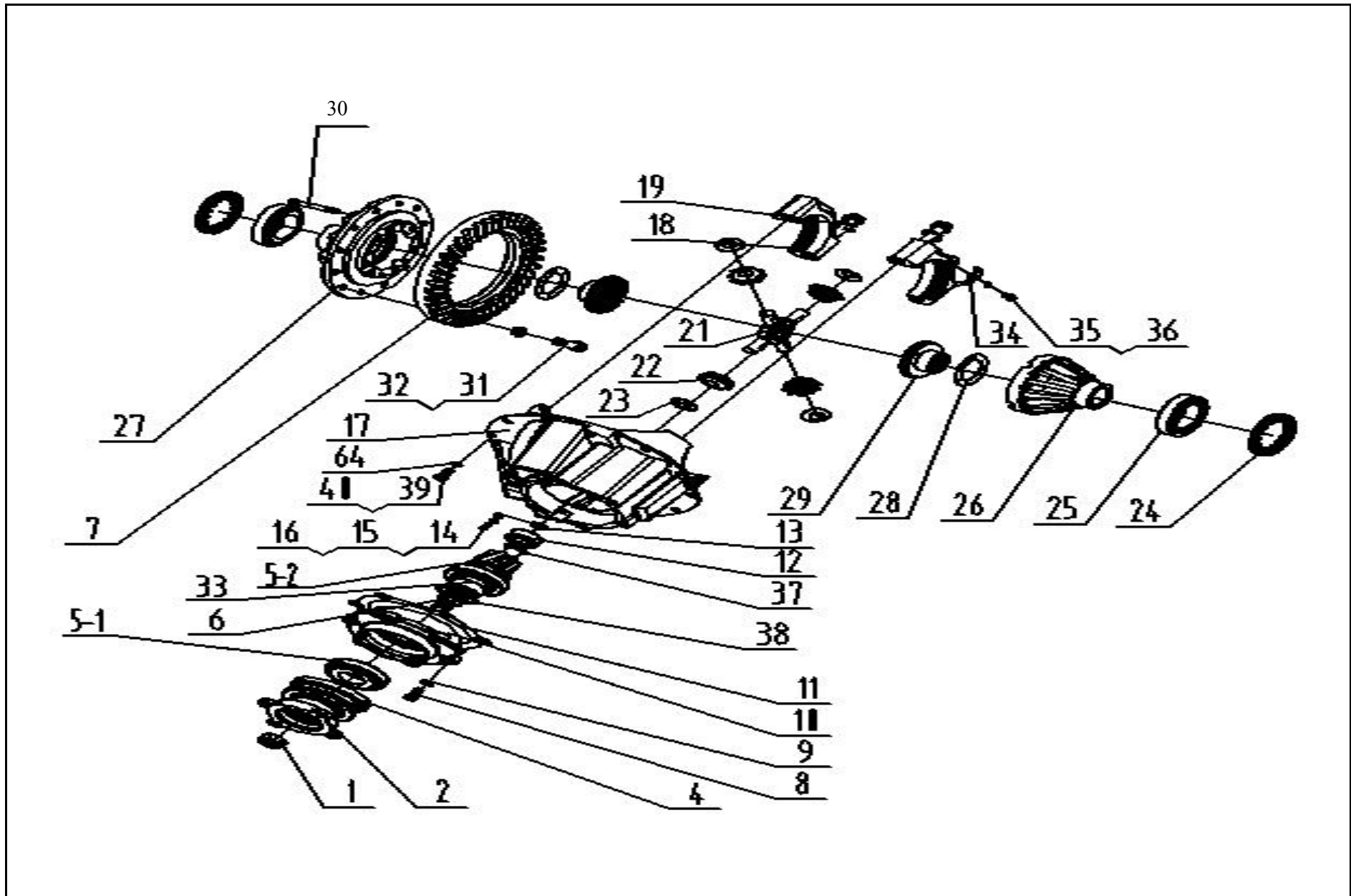


1S10692200212 传动轴 Drive shaft

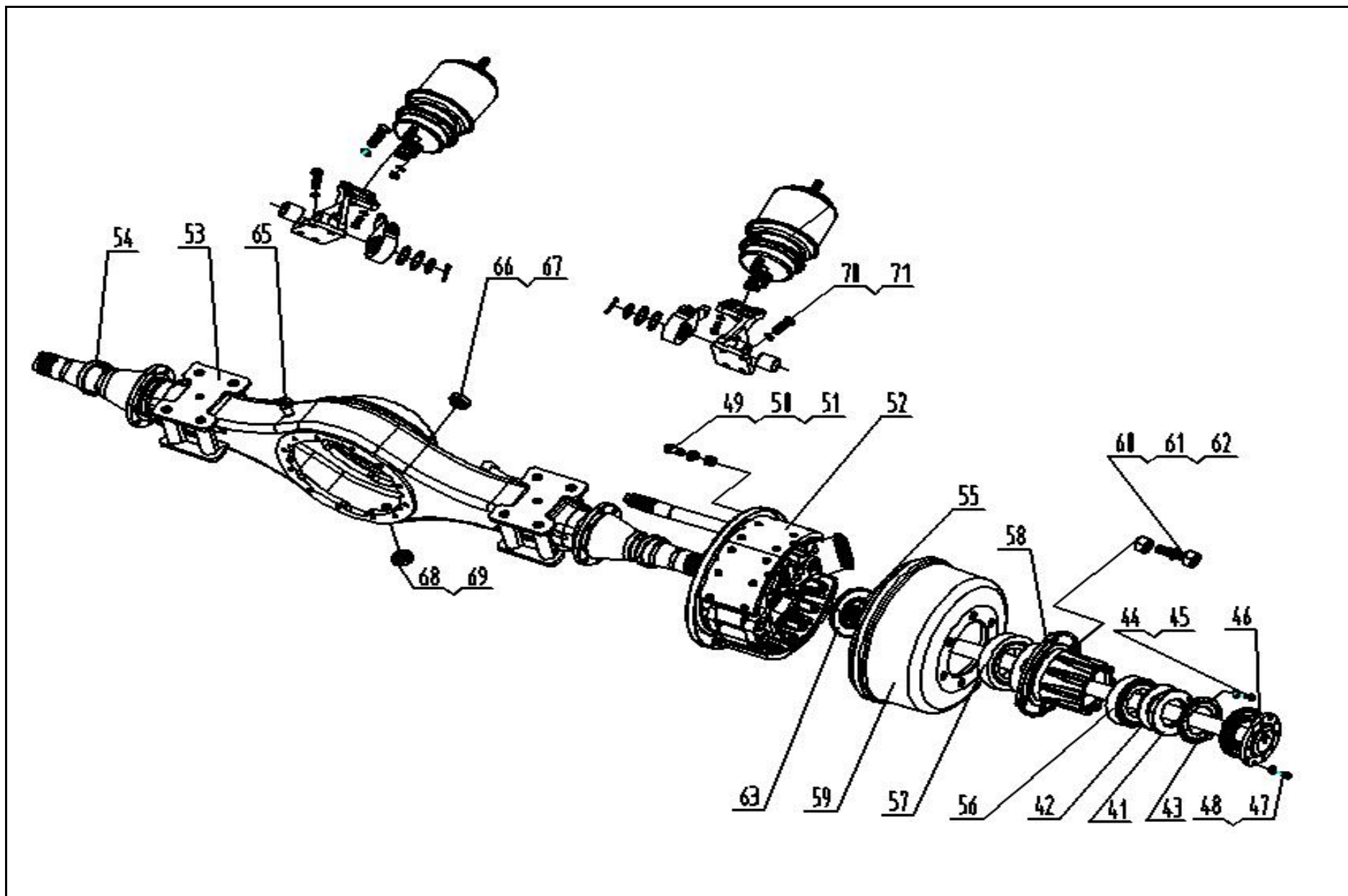
序号 No.	零件代号 Part No.	零件名称及规格. Part Name and Specification	适用车型及用量 (件) Applied Models and Quantity (Piece)						
			用量 Qty.	车型 Models	用量 Qty.	车型 Model	用量 Qty.	车型 Model	
	1S10692200212	传动轴							
1	1106922000009	中间传动轴总成	1						
2	1117022000005	自锁螺母	12						
3	Q40114	平垫圈	2						
4	Q40314	弹簧垫圈	2						
5	Q150B1435	六角头螺栓	2						
6	1106622000006	传动轴螺栓	8						
7	1106922000010	后传动轴总成	1						
8	1106922000030	传动轴护圈	1						
9	Q150B0818	螺栓	2						
10	1106922000032	传动轴护圈横梁	1	1069VCJEA-0ADA23					
				1069VCJEA-0ADA24					
				1069VCJEA-0ADA25					
				1069VCJEA-0ADA26					
				1069VCJEA-0ADA28					
				1069VCJEA-0ADA30					
11	Q150B0822	六角头螺栓	2						
12	Q40108	平垫圈	2						
13	Q40308	弹簧垫圈	4						
14	Q340B08	1 型六角螺母	4						



1S10692400111 后桥 Rear axle



1S10692400111 后桥 Rear axle



1S10692400111 后桥 Rear axle

序号 No.	零件代号 Part No.	零件名称及规格. Part Name and Specification	适用车型及用量 (件) Applied Models and Quantity (Piece)						
			用量 Qty.	车型 Models	用量 Qty.	车型 Model	用量 Qty.	车型 Model	
	1S10692400111	后桥	Rear axle						
1	240205404	主动齿轮接盘 自锁螺母	Self-locking nut, driving gear connecting disc	1					
2	240205007	主动齿轮接盘总成	Driving gear connecting disc assy	1					
3	/	/	/	/					
4	240204004	主动齿轮油封总成	Driving gear oil seal assembly	1					
5-1	27310E	主动齿轮外轴承	Driving gear outer bearing	1					
5-2	27311E	主动齿轮内轴承	Driving gear inner bearing	1					
6	240202124	主动齿轮	Driving gear	1					
7	240202224	从动齿轮	Driven gear	1					
8	Q151C1235	螺栓-减速器壳 与轴承座	Bolt – reducer housing and bearing seat	6	1069VCJEA-0ADA23 1069VCJEA-0ADA24 1069VCJEA-0ADA25 1069VCJEA-0ADA26 1069VCJEA-0ADA28 1069VCJEA-0ADA30				
9	Q40312	弹簧垫圈-减速器壳 轴承座	Spring shim-bearing seat for reducer housing	6					
10	240204606	主动齿轮轴承座	Driving gear bearing seat	1					
11	240204813/14/15	调整垫片-轴承座	Adjusting shim-bearing seat	按需 As required					
12	NU306X2V/C3	主动齿轮导向轴承	Driving gear guide bearing	1					
13	Q40208	导向轴承垫片	Guide bearing shim	2					
14	Q350B08	螺母-导向轴承挡片	Nut-guide bearing retainer	1					
15	Q40308	弹簧垫圈	Spring washer	1					
16	Q150B0835	螺栓-导向轴承	Bolt-guide bearing	1					
17	240201508	主减速器壳	Main reducer housing	1					
18	240201606	轴承盖	Bearing cap	2					



1S10692400111 后桥 Rear axle

序号 No.	零件代号 Part No.	零件名称及规格. Part Name and Specification	适用车型及用量 (件) Applied Models and Quantity (Piece)						
			用量 Qty.	车型 Models	用量 Qty.	车型 Model	用量 Qty.	车型 Model	
19	240201703	轴承盖螺栓	Bearing cap bolt	4					
20	/	/	/	/					
21	240302506	行星齿轮轴	Planetary gear shaft	1					
22	240302206	行星齿轮	Planetary gear	4					
23	240302706	行星齿轮止推垫片	Planetary gear thrust shim	4					
24	240303204	调整螺母- 差速器轴承	Adjusting nut – differential bearing	2					
25	7514E	差速器轴承	Differential bearing	2					
26	240301606	差速器壳 (右)	Differential housing (right)	1					
27	240301506	差速器壳 (左)	Differential housing (left)	1					
28	240302606	半轴齿轮止推垫片	Gear thrust shim for axle shaft	2	1069VCJEA-0ADA23				
29	240302406	半轴齿轮	Axle shaft gear	2	1069VCJEA-0ADA24				
30	240301104	螺栓-差速器壳	Bolt – differential housing	12	1069VCJEA-0ADA25				
31	240202404	螺母-从动齿轮	Nut – driven gear	12	1069VCJEA-0ADA26				
32	240202305	螺栓-从动齿轮	Bolt – driven gear	12	1069VCJEA-0ADA28				
33	240203706	隔套	Spacer	1	1069VCJEA-0ADA30				
34	240303304/305	锁片左/右- 调整螺母	Locking plate (left/right)- adjusting nut	2					
35	Q150B0816	调整锁片螺栓	Bolt for adjusting locking plate	2					
36	Q40308	弹簧垫圈	Spring washer	2					
37	240202607	导向轴承弹簧挡圈	Circlip for guide bearing	1					
38	QT340D1- 2402038-1~7	主齿调整垫片	Adjusting shim for main gear	按需 As required					

1S10692400111 后桥 Rear axle

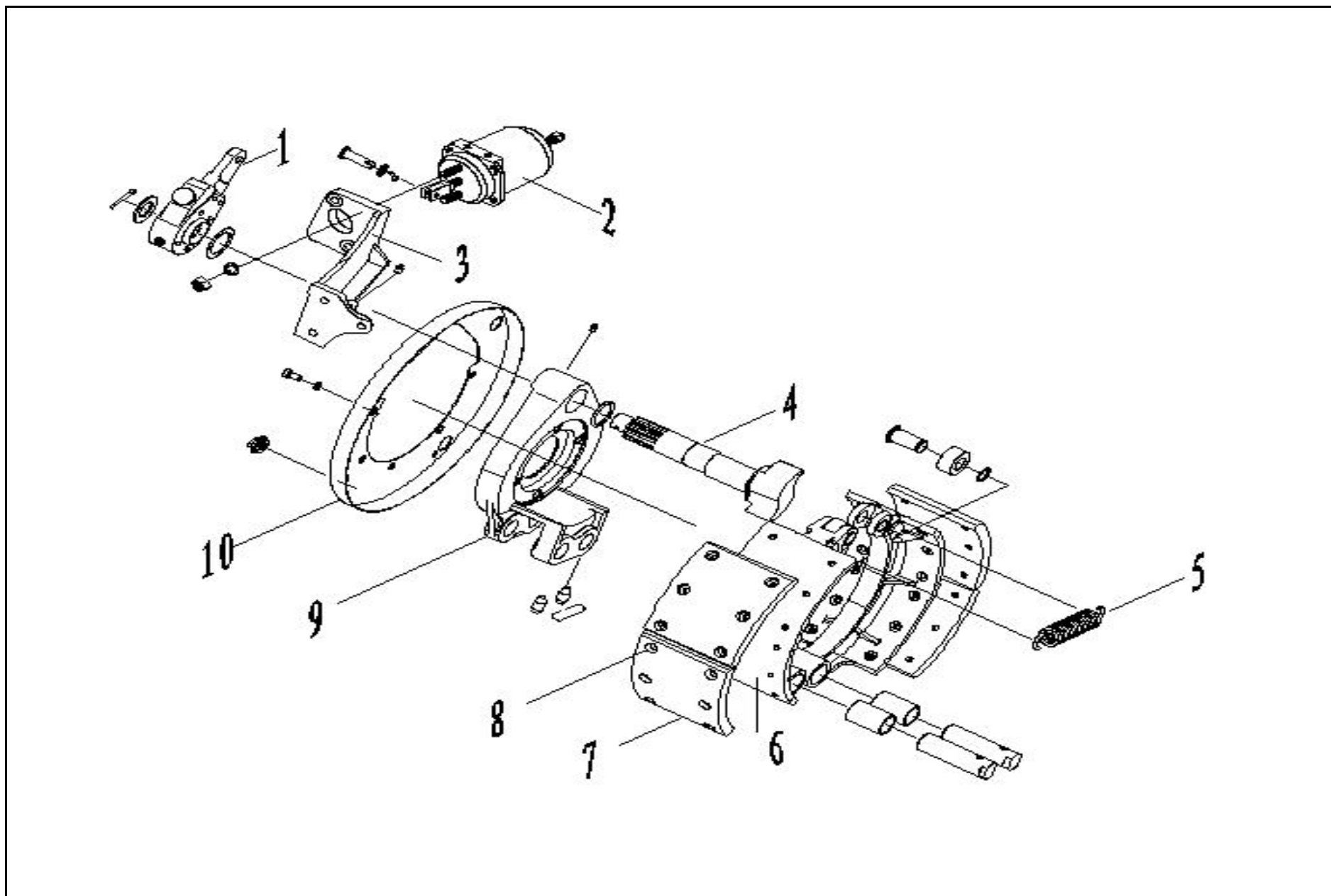
序号 No.	零件代号 Part No.	零件名称及规格. Part Name and Specification	适用车型及用量 (件) Applied Models and Quantity (Piece)						
			用量 Qty.	车型 Models	用量 Qty.	车型 Model	用量 Qty.	车型 Model	
39	Q150C1245	减壳螺栓	Reducer housing bolt	4	1069VCJEA-0ADA23 1069VCJEA-0ADA24 1069VCJEA-0ADA25 1069VCJEA-0ADA26 1069VCJEA-0ADA28 1069VCJEA-0ADA30				
40	Q150C1230	减壳螺栓	Reducer housing bolt	10					
41	240309103	轮毂轴承锁紧螺母	Locking nut for hub bearing	2					
42	240309206	调整螺母垫片	Adjusting nut locking plate	2					
43	240309203A	锁止垫圈	Locking shim	2					
44	Q1420616	小六角头螺栓	Small hex head bolt	4					
45	Q40306	弹簧垫圈	Spring washer	4					
46	310404005	后轮毂外油封	Outer oil seal, rear wheel hub	2					
47	Q150B1060TF2	后桥半轴螺栓	Rear axle shaft bolt	24					
48	Q40310	弹簧垫圈	Spring washer	24					
49	Q151B1445TF2	制动器底板螺栓	Brake base plate bolt	12					
50	Q341B14	螺母	Nut	12					
51	Q40314	弹簧垫圈	Spring washer	12					
52	QT310X130-3502010/20	后制动器总成(左/右)	Rear brake assy (left/right)	各 1 Each 1					
53	QT340D8-2401020	后桥壳总成	Rear axle housing assy	1					
54	310406105	油封座圈	Oil seal seat ring	2					
55	240305122A	半轴	Axle shaft	2					
56	7513E	轴承	Bearing	2					
57	7515E	轴承	Bearing	2					
58	310401120	后轮毂	Rear hub	2					

1S10692400111 后桥 Rear axle

序号 No.	零件代号 Part No.	零件名称及规格.	Part Name and Specification	适用车型及用量 (件) Applied Models and Quantity (Piece)					
				用量 Qty.	车型 Models	用量 Qty.	车型 Model	用量 Qty.	车型 Model
59	350216120	后制动鼓	Rear brake drum	2					
60	310402120	轮胎螺栓	Tire bolt	12					
61	Q30020F3	轮胎外螺母	Outer nut for tire	12					
62	Q341B20	后轮毂内螺母	Nut in rear hub	12					
63	310403005	后轮毂内油封	Rear hub inner oil seal	2					
64		弹簧垫圈	Spring washer	12					
65	240101001A	常开式通气塞	Stationary-opened breather plug	1					
66	240111301	加油塞	Oil filler plug	1					
67	240111401A	加油塞密封垫圈	Seal shim for oil filler plug	1					
68	240103503	放油塞	Oil drain plug	1	1069VCJEA-0ADA23				
69	240111201A	放油塞密封垫圈	Drain plug seal washer	1	1069VCJEA-0ADA24				
70	Q151B1435	气制动支架固定螺栓	Fixed bolt for air brake bracket	8	1069VCJEA-0ADA25				
71	Q40314	弹簧垫圈	Spring washer	8	1069VCJEA-0ADA26				
					1069VCJEA-0ADA28				
					1069VCJEA-0ADA30				



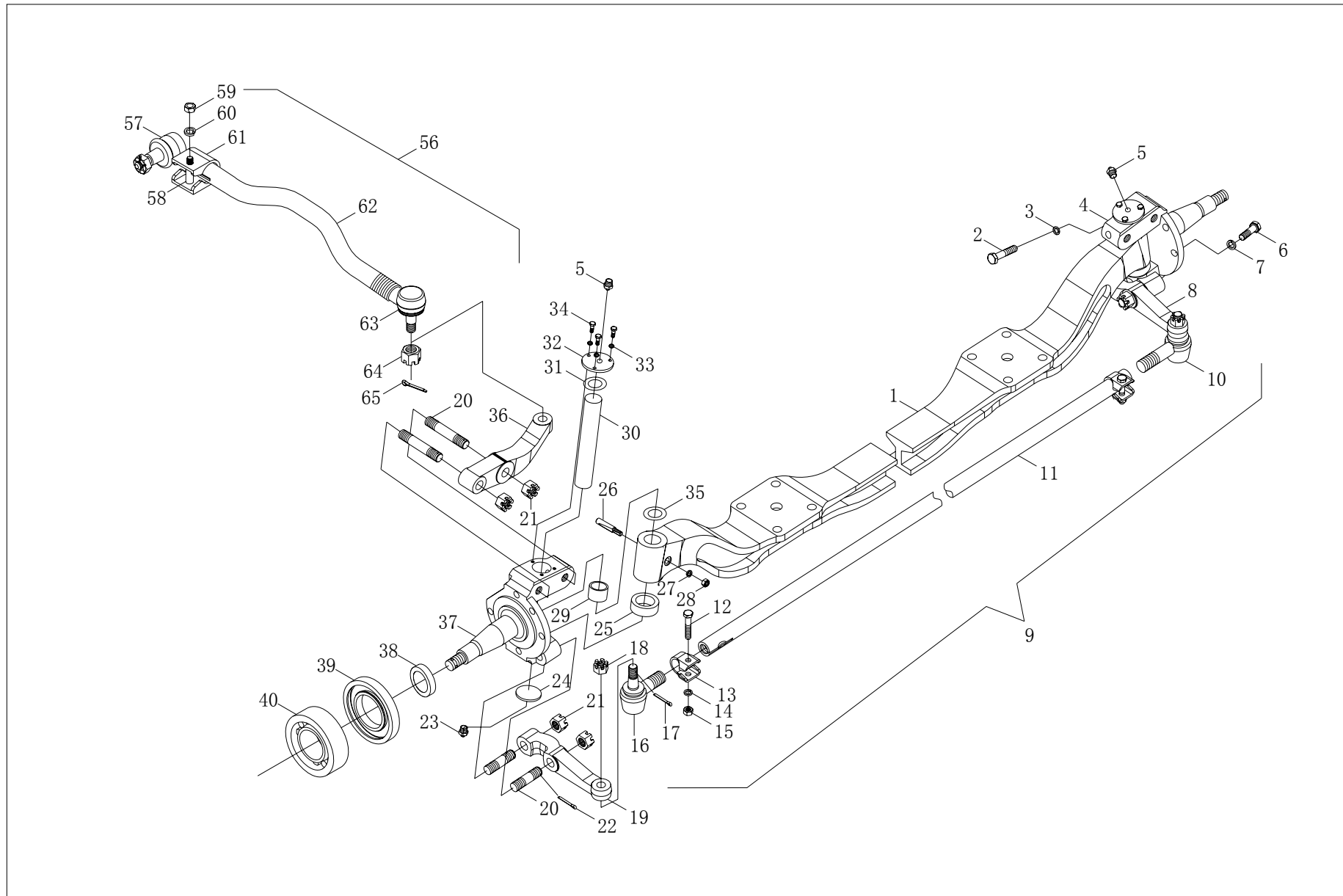
1S10692400111 后桥（制动器） Rear axle(brake)



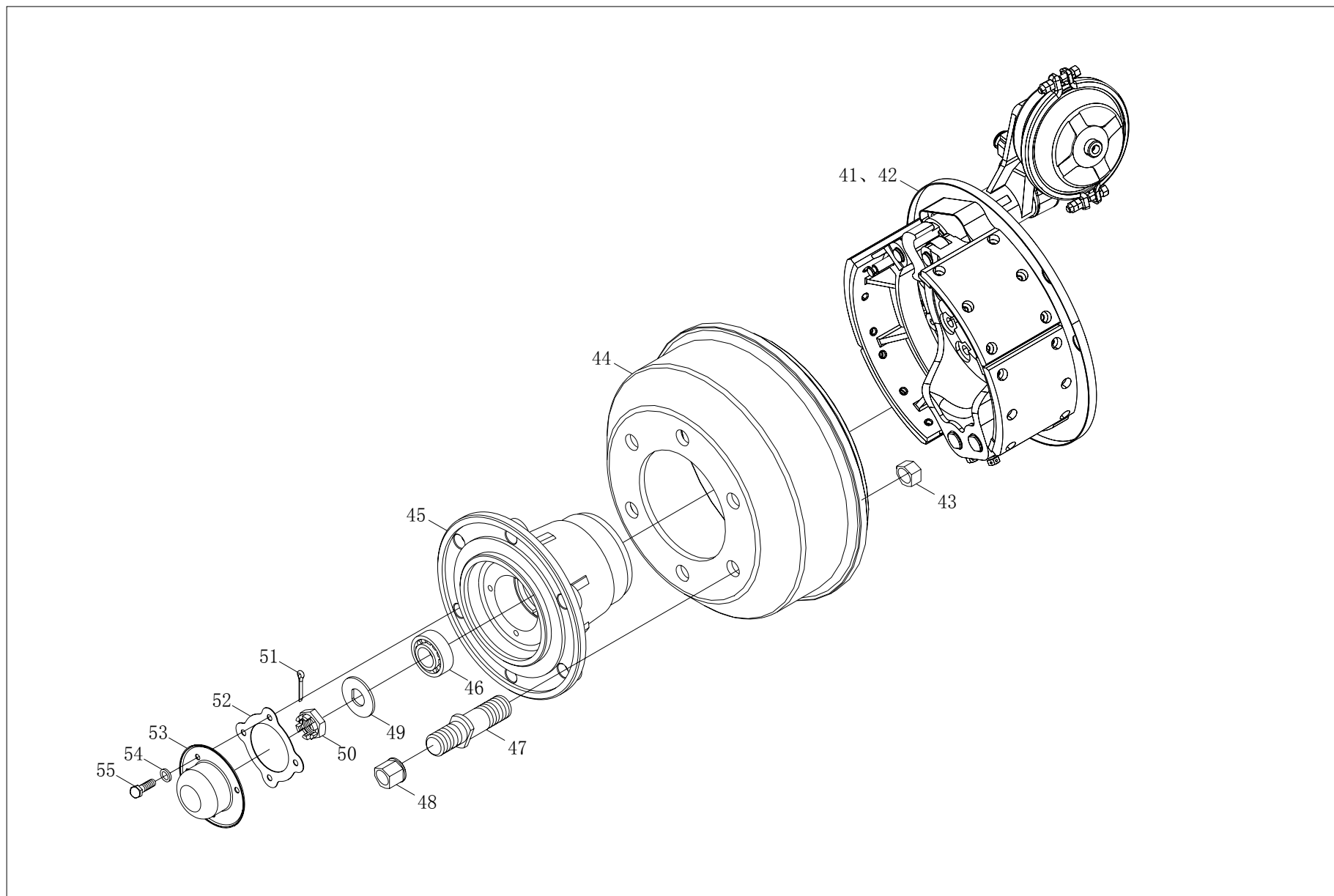
1S10692400111 后桥（制动器） Rear axle(brake)

序号 No.	零件代号 Part No.	零件名称及规格.	Part Name and Specification	适用车型及用量（件） Applied Models and Quantity (Piece)					
				用量 Qty.	车型 Models	用量 Qty.	车型 Model	用量 Qty.	车型 Model
	1S10692400111	后桥	Rear axle						
1	QT1061-3502205	调整臂	Adjusting arm	2					
2	QT340D15-3519010A/20A	制动气室总成 (左/右)	Brake chamber assembly (left/right)	各 1 Each 1					
3	350204307/407	气制动支架 (左/右)	Air brake bracket (left/right)	各 1 Each 1					
4	QT310X130X497-3502051/52	凸轮轴 (左/右)	Camshaft (left/right)	各 1 Each 1					
5	110663-3501177	回位弹簧	Return spring	1					
6	104324-41-TF3502021	后制动蹄	Rear brake shoe	4					
7	104324-41-TF3502022	摩擦片	Friction disc	4					
8	Q4640818	铆钉	Rivet	24	1069VCJEA-0ADA23				
9	104324-41-TF3502011	后制动底板	Rear brake base plate	2	1069VCJEA-0ADA24				
10	104324-41-TF3501102	防尘罩左	Left dust cover	1	1069VCJEA-0ADA25				
	104324-41-TF3501202	防尘罩右	Right dust cover	1	1069VCJEA-0ADA26				
					1069VCJEA-0ADA28				
					1069VCJEA-0ADA30				

1S10693000102 前轴-1 Front axle-1



1S10693000102 前轴-2 Front axle-2



1S10693000102 前轴 Front axle

序号 No.	零件代号 Part No.	零件名称及规格.	Part Name and Specification	适用车型及用量 (件) Applied Models and Quantity (Piece)					
				用量 Qty.	车型 Models	用量 Qty.	车型 Model	用量 Qty.	车型 Model
	1S10693000102	前轴	Front axle	1					
	1106930000028	前桥总成	Front axle assembly	1					
1	1106930000005	前轴	Front axle	1					
2	GB/T5786	六角头螺栓 M14×1.5×30	Hexagon head bolt M14×1.5×30	12					
3	GB/T93	弹簧垫圈 14	Spring washer 14	16					
4	1106930000030	右转向节带衬套总成	Right knuckle with bush assy	1					
5	JB/T7940.2	45° 接头式 油杯 M10×1	45° Connector-typed forced filling oil cup M10×1	2					
6	1106630001043	限位螺栓	Limiting bolt	2					
7	GB/T6171	I 型六角螺母 M14×1.5	Hex nut, type I M14×1.5	2	1069VCJEA-0ADA23				
8	1106930000010	右转向臂	Right steering arm	1	1069VCJEA-0ADA24				
9	1106930002004	横拉杆总成	Tie rod assembly	1	1069VCJEA-0ADA25				
10	BJ1046E6-3003070C	转向横拉杆右接头总成	Right joint assembly, steering tie rod	1	1069VCJEA-0ADA26				
11	1106930002104	横拉杆	Tie rod	1	1069VCJEA-0ADA28				
12	GB/T5782-M10X50	螺栓	Bolt	2	1069VCJEA-0ADA30				
13	1029E-3003022	接头夹	Connector clamp	2					
14	GB/T93-10	垫圈	Washer						
15	GB/T6170-M10	螺母	Nut						
16	BJ1046E6-3003060C	转向横拉杆右接头总成	Right joint assembly, steering tie rod	1					
17	GB/T 91-4X28	开口销	Cotter pin	2					
18	Q387B16	螺母	Nut	2					

1S10693000102 前轴 Front axle

序号 No.	零件代号 Part No.	零件名称及规格.	Part Name and Specification	适用车型及用量 (件) Applied Models and Quantity (Piece)					
				用量 Qty.	车型 Models	用量 Qty.	车型 Model	用量 Qty.	车型 Model
19	1106930000009	左转向臂	Left steering arm	1					
20	1106630002006	螺柱	Stud	6					
21	GB/T9459	六角开槽螺母 M18×1.5	Hexagon slotted nut M18×1.5	6					
22	GB/T91	开口销 4×36	Split pin 4×36	6					
23	JB/T7940.2	45°接头式 油杯 M6	45° Connector- typed forced filling oil cup M6	2					
24	1056PE-3501030	主销堵盖总成	King pin plug assembly	2					
25	ZZ032062	阻尼止推轴承	Damping thrust bearing	2					
26	1056PE-35010368	转向节锁销	Lock latch for knuckle pin	2					
27	GB/T6171	I型六角螺母 M10×1	Hexagon nut, type I M10×1	2	1069VCJEA-0ADA23				
28	GB/T93	弹簧垫圈 10	Spring washer 10	2	1069VCJEA-0ADA24				
29	1056PE-3001032	转向节衬套	Knuckle bush	4	1069VCJEA-0ADA25				
30	1056PE-3001064	转向节销	Knuckle pin	2	1069VCJEA-0ADA26				
31	1056PE-3001065	主销盖垫	Cap shim for king pin	2	1069VCJEA-0ADA28				
32	1056PE-3001063	主销盖	King pin cap	2	1069VCJEA-0ADA30				
33	GB/T93	弹簧垫圈 6	Spring washer 6	6					
34	GB/T5783	螺栓 M6×12	Bolt M6×12	6					
35	1056PE-3001069	转向节调整垫圈	Adjusting washer for knuckle	2					
36	1106930000008	转向节臂	Knuckle arm	1					
37	1106930000029	左转向节	Left knuckle	1					
38	ZCA1061-3001062	油封圈	Oil seal ring	2					

1S10693000102 前轴 Front axle

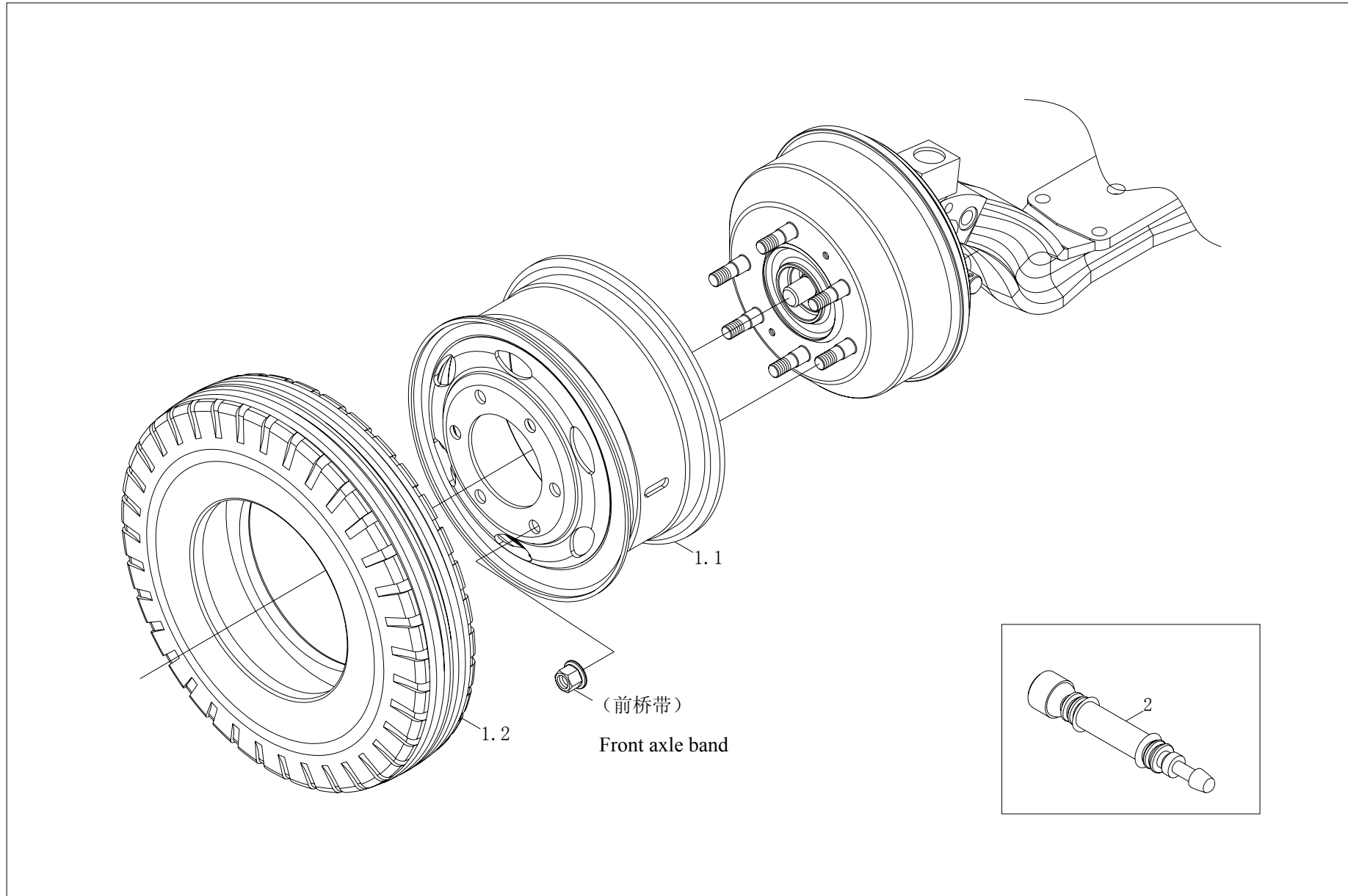
序号 No.	零件代号 Part No.	零件名称及规格. Part Name and Specification	适用车型及用量 (件) Applied Models and Quantity (Piece)						
			用量 Qty.	车型 Models	用量 Qty.	车型 Model	用量 Qty.	车型 Model	
39	GB/T9877.1-(F)B85X105X12	油封	Oil seal	2	1069VCJEA-0ADA23 1069VCJEA-0ADA24 1069VCJEA-0ADA25 1069VCJEA-0ADA26 1069VCJEA-0ADA28 1069VCJEA-0ADA30				
40	T2ED050	圆锥滚子轴承	Tapered roller bearing	2					
41	1106930000016	前制动器总成左	Front brake assy (left)	1					
42	1106930000015	前制动器总成右	Front brake assy (right)	1					
43	GB/T6171-M20X1.5	紧固螺母	Fastening nut	2					
44	1106930003204	制动鼓	Brake drum	2					
45	1106930005228	前轮毂	Front hub	2					
46	GB/T297-32307	圆锥滚子轴承	Tapered roller bearing	2					
47	1106930003304	轮胎螺栓	Tire bolt	12					
48	1106930003404	轮胎螺母	Tire nut	12					
49	3066-3001075	转向节螺母锁紧垫片	Lock washer for knuckle nut	2					
50	3066-3001076	转向节螺母	Knuckle nut	2					
51	GB/T91	开口销 5×40	Split pin 5×40	2					
52	3066-3001061	前轮毂盖垫	Shim for front hub cover	2					
53	3066-3001060	前轮毂盖	Front hub cover	2					
54	GB/T5783	六角头螺栓 M8×10	Hexagon head bolt M8×10	8					
55	GB/T93	弹簧垫圈	Spring washer	8					
56	1106930000011	转向直拉杆总成	Steering drag link assy	1					
57	1106630001015	转向直拉杆前接头总成	Steering drag link front connector assy	1					
58	GB/T 5782-M14X65	螺栓	Bolt	1					

1S10693000102 前轴 Front axle

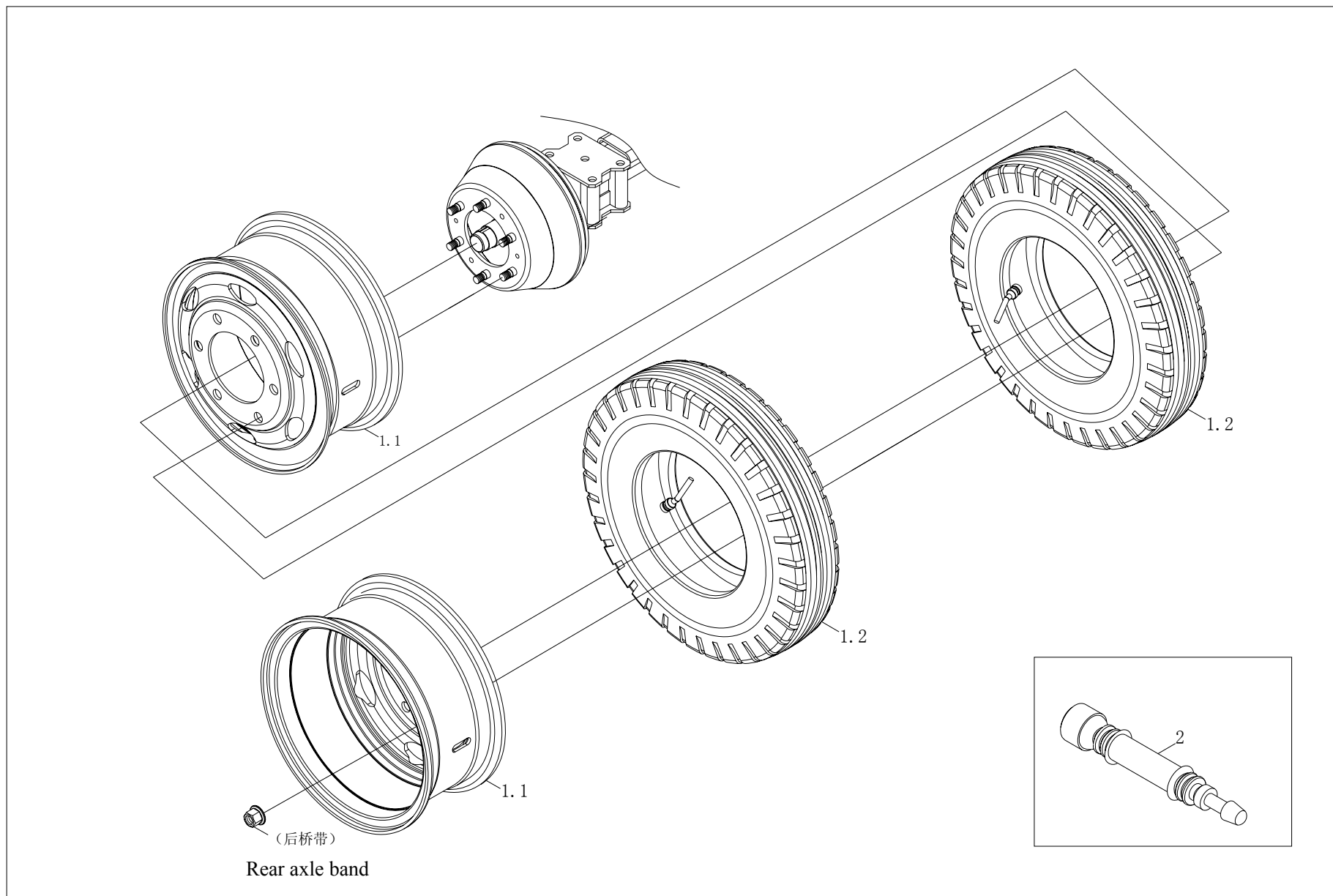
序号 No.	零件代号 Part No.	零件名称及规格.	Part Name and Specification	适用车型及用量 (件) Applied Models and Quantity (Piece)					
				用量 Qty.	车型 Models	用量 Qty.	车型 Model	用量 Qty.	车型 Model
59	GB/T 6170-M14	螺母	Nut	1	1069VCJEA-0ADA23 1069VCJEA-0ADA24 1069VCJEA-0ADA25 1069VCJEA-0ADA26 1069VCJEA-0ADA28 1069VCJEA-0ADA30				
60	GB/T 93-14	弹簧垫圈	Spring washer	1					
61	3030CE-3000301	接头夹	Connector clamp	1					
62	1106930000012	转向直拉杆	Steering linkage	1					
63	1106630001016	后接头总成	Rear joint assy	1					
64	Q38718	六角开槽薄螺母 M16X1.5	Slotted hexagon thin nut M16X1.5	2					
65	Q5004040	开口销	Cotter pin	2					



1S10693110108 车轮及轮胎-1 Wheels & tires-1



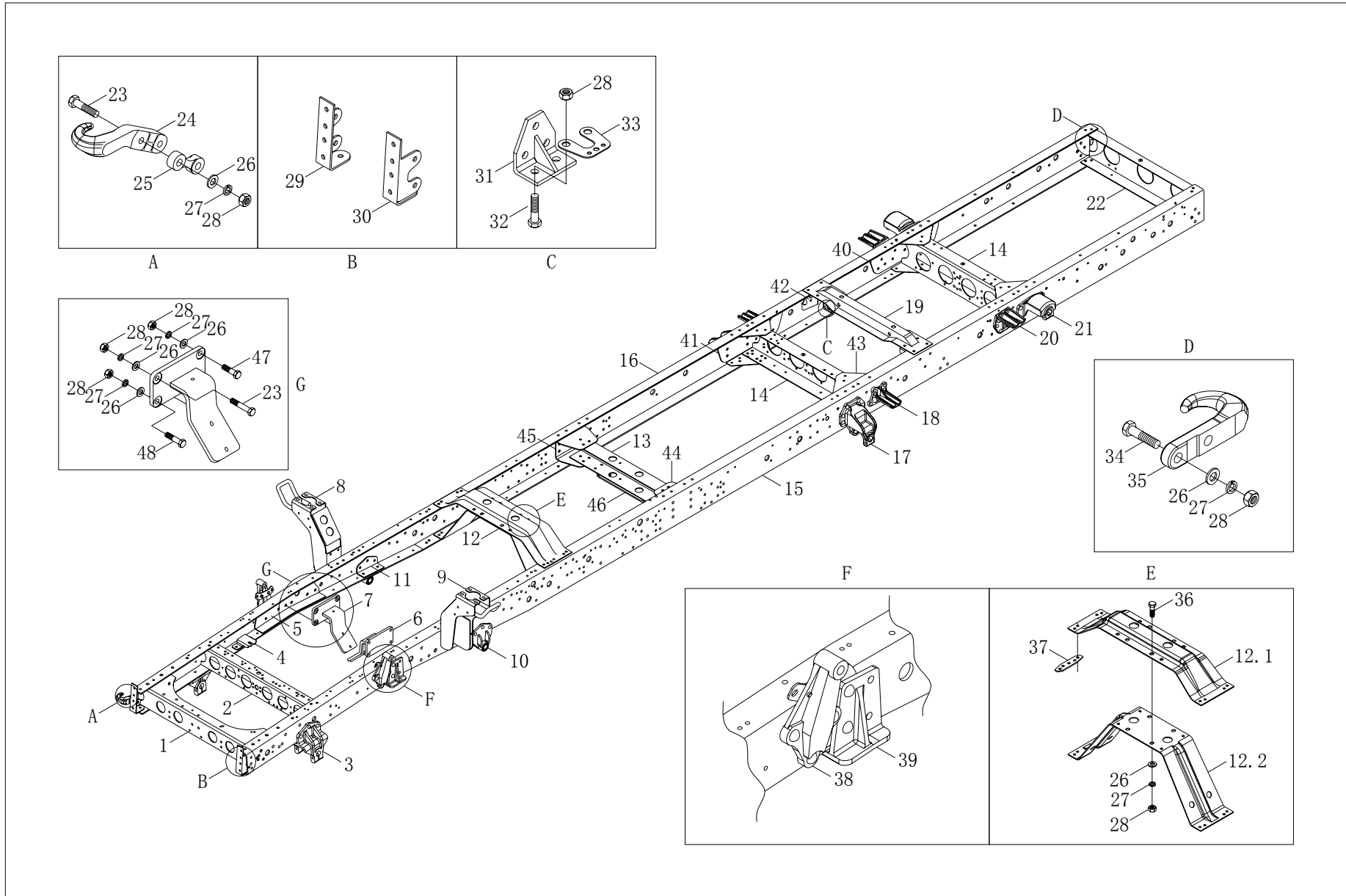
1S10693110108 车轮及轮胎-2 Wheels & tires-2



1S10693110108 车轮及轮胎 Wheels & tires

序号 No.	零件代号 Part No.	零件名称及规格. Part Name and Specification	适用车型及用量 (件) Applied Models and Quantity (Piece)						
			用量 Qty.	车型 Models	用量 Qty.	车型 Model	用量 Qty.	车型 Model	
	1S10693110108	车轮及轮胎							
1	1106931100031	车轮总成	7						
1.1	1106931100011	轮辋总成	1						
1.2	L7.50-1612L	轮胎	1						
2	1417031100003	气嘴延伸管 及护帽	2						
					1069VCJEA-0ADA23				
					1069VCJEA-0ADA24				
					1069VCJEA-0ADA25				
					1069VCJEA-0ADA26				
					1069VCJEA-0ADA28				
					1069VCJEA-0ADA30				

1S10692800130 车架 Frame



1S10692800130 车架 Frame

序号 No.	零件代号 Part No.	零件名称及规格.	Part Name and Specification	适用车型及用量 (件) Applied Models and Quantity (Piece)					
				用量 Qty.	车型 Models	用量 Qty.	车型 Model	用量 Qty.	车型 Model
	1S10692800130	车架	Frame						
	1106928000271	车架总成	Frame assembly						
1	1106928000030	一横梁	1st beam	1					
2	1106928000048	二横梁	2nd beam	1					
3	1106928000040	前钢板弹簧 固定端支架	Fixed bracket, front leaf spring	2					
4	1106928000031	散热器左支架	Left bracket, radiator	1					
	1106928000032	散热器右支架	Right bracket, radiator	1					
5	1106928000018	左加强板— 前减震器	LH reinforcement plate – front shock absorber	1					
	1106928000019	右加强板— 前减震器	RH reinforcement plate – front shock absorber	1	1069VCJEA-0ADA23				
6	1106910100031	发动机前悬置左支架	Left front suspension bracket, engine	1	1069VCJEA-0ADA24				
7	1106910100032	发动机前悬置右支架	Right front suspension bracket, engine	1	1069VCJEA-0ADA25				
8	1B20050100040	右车身固定支架总成	Fixing bracket assy, right vehicle body	1	1069VCJEA-0ADA26				
9	1B20050100030	左车身固定支架总成	Fixing bracket assy, left vehicle body	1	1069VCJEA-0ADA28				
10	1106928000041	前钢板弹簧吊耳 支架总成	Front leaf spring lug bracket assy	2	1069VCJEA-0ADA30				
11	1106628000027	加强板— 前悬后支架	Reinforcement plate – rear bracket for front suspension	2					
12	1106628000033	发动机后悬置横梁总成	Beam assy of rear suspension for engine	1					
12.1	1106628000034	横梁上片- 发动机后悬置	Crossbeam upper- rear suspension of engine	1					
12.2	1106628000035	横梁下片— 发动机后悬置	Crossbeam lower- rear suspension of engine	1					
13	1106928000250	第四横梁	4th cross beam	1					

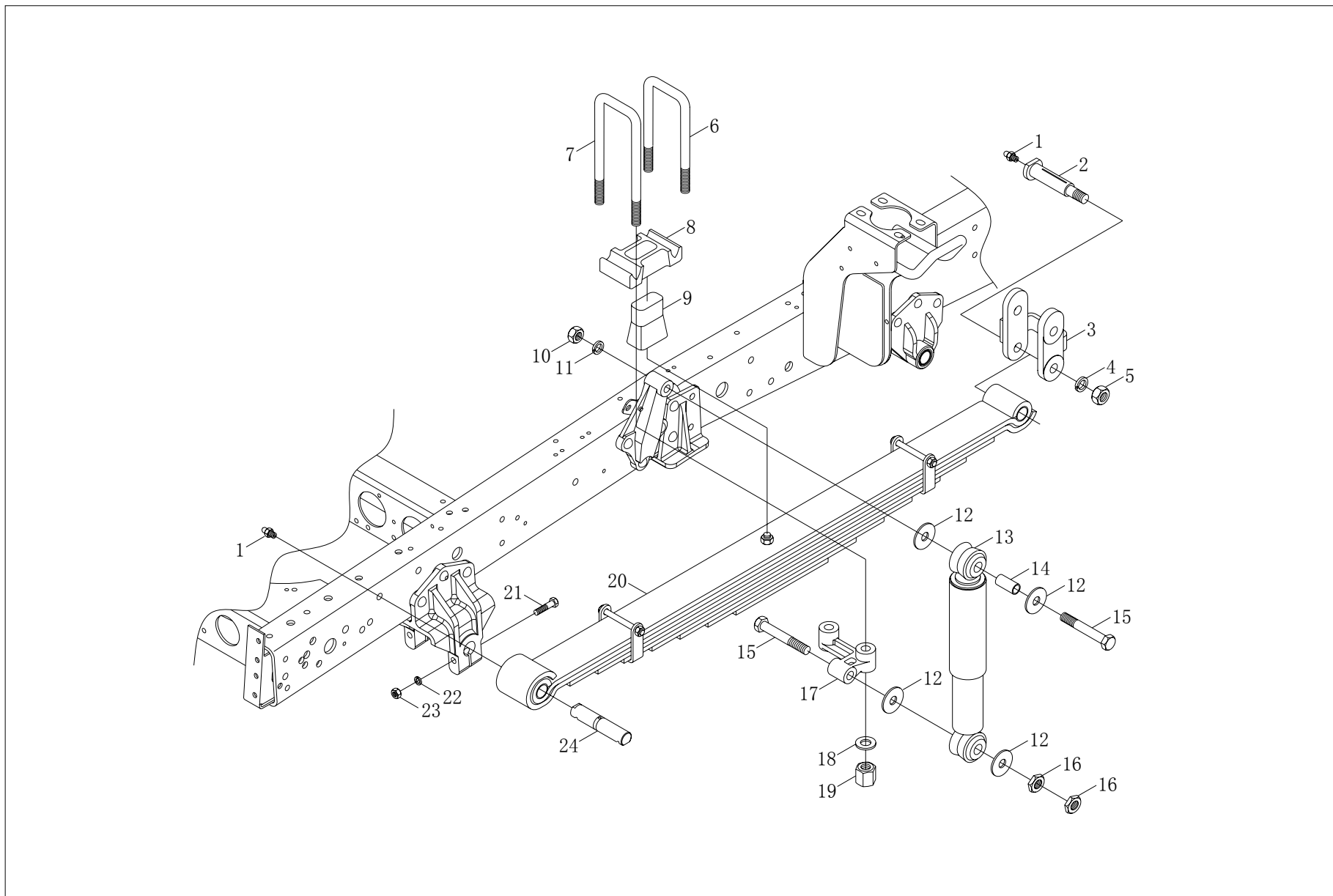
1S10692800130 车架 Frame

序号 No.	零件代号 Part No.	零件名称及规格.	Part Name and Specification	适用车型及用量 (件) Applied Models and Quantity (Piece)					
				用量 Qty.	车型 Models	用量 Qty.	车型 Model	用量 Qty.	车型 Model
14	1106928000012	横梁—后钢板弹簧	Cross beam – rear leaf spring	2	1069VCJEA-0ADA23 1069VCJEA-0ADA24 1069VCJEA-0ADA25 1069VCJEA-0ADA26 1069VCJEA-0ADA28 1069VCJEA-0ADA30				
15	1106928000211	左纵梁	Left longitudinal beam	1					
16	1106928000212	右纵梁	Right longitudinal beam	1					
17	1106628000023	后钢板弹簧 固定端支架	Fixed bracket, rear leaf spring	2					
18	1106628000025	副簧前托架	Front bracket, auxiliary leaf spring	2					
19	1106628000042	横梁—后减震器	Cross beam – rear shock absorber	1					
20	1106628000026	副簧后托架	Rear bracket, auxiliary leaf spring	2					
21	1106628000024	后钢板弹簧 吊耳端支架	Rear leaf spring lug bracket	2					
22	1106928000013	后横梁	Rear cross beam	1					
23	Q150B1265	六角头螺栓	Hex head bolt	3					
24	1103328000025	拖车钩	Towing hook	1					
25	1106928000278	拖车钩垫块	Towing hook block	1					
26	Q40112	平垫圈	Flat washer	12					
27	Q40312	弹簧垫圈	Spring washer	12					
28	Q340B12	1 型六角螺母	Hexagon nut, type-1	14					
29	1106928000037	保险杠右支架焊合	Right bracket weldment of bumper	1					
30	1106928000035	保险杠左支架焊合	Left bracket weldment of bumper	1					
31	1108328000064	缓冲块支架焊合	Bracket weldment of buffer block	2					
32	Q150B1220	六角头螺栓	Hex head bolt	2					
33	1106928000050	支架-后缓冲块	Bracket-rear buffer block	2					

1S10692800130 车架 Frame

序号 No.	零件代号 Part No.	零件名称及规格. Part Name and Specification	适用车型及用量 (件) Applied Models and Quantity (Piece)						
			用量 Qty.	车型 Models	用量 Qty.	车型 Model	用量 Qty.	车型 Model	
34	Q150B1255	六角头螺栓	Hex head bolt	2	1069VCJEA-0ADA23 1069VCJEA-0ADA24 1069VCJEA-0ADA25 1069VCJEA-0ADA26 1069VCJEA-0ADA28 1069VCJEA-0ADA30				
35	1106328000011	前拖车钩	Front towing hook	1					
36	Q150B1230	六角头螺栓	Hex head bolt	4					
37	1106928000208	三横梁连接板	Connecting plate of 3rd beam	4					
38	1106928000042	前减振器上支架总成	Upper bracket assy for front damper	2					
39	1106928000043	左缓冲块限位块	Stop block for left buffer block	1					
	1106928000044	缓冲块限位块(右)	Stop block for buffer block(right)	1					
40	1106328000305	加强板-后簧后支架	Reinforcement plate – rear bracket for rear spring	2					
41	1106328000306	加强板—后簧前支架	Reinforcement plate – rear bracket for front suspension	2					
42	1106628000043	后减震器横梁支架	Beam bracket, rear bumper	2					
43	1106628000142	连接板—后钢板弹簧横梁	Connecting plate—spring crossbeam of rear steel plate	8					
44	1106928000251	四横梁左连接板	Connecting plate of 4th beam(left)	1					
45	1106928000252	四横梁右连接板	Connecting plate of 4th beam(right)	1					
46	1108928000046	传动轴中间支架焊合	Intermediate bracket weldment, drive shaft	1					
47	Q150B1245	六角头螺栓	Hex head bolt	2					
48	Q150B1250	六角头螺栓	Hex head bolt	1					

1S10692920109 前悬架 Front suspension



1S10692920109 前悬架 Front suspension

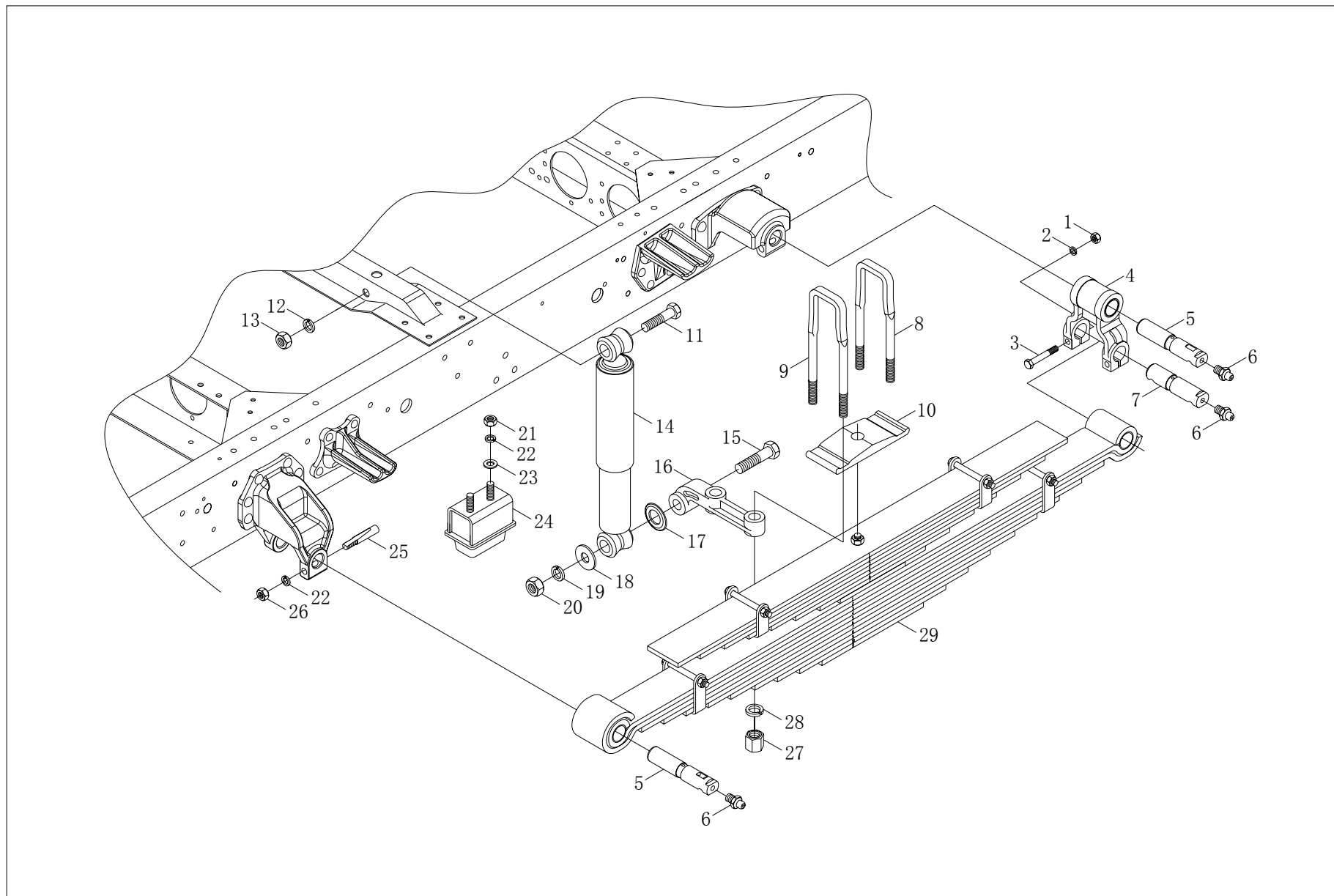
序号 No.	零件代号 Part No.	零件名称及规格.	Part Name and Specification	适用车型及用量 (件) Applied Models and Quantity (Piece)					
				用量 Qty.	车型 Models	用量 Qty.	车型 Model	用量 Qty.	车型 Model
	1S10692920109	前悬架	Front suspension						
1	1106629200028	接头式压注油杯	Connector-typed forced filling oil cup	6					
2	1106629200011	吊耳销	Lug pin	4					
3	1106629200009	吊耳(左)	Lug (left)	1					
	1106629200010	吊耳(右)	Lug (right)	1					
4	Q40318	弹簧垫圈	Spring washer	4					
5	Q341B18	1 型六角螺母-细牙	1-type hexagon nut-fine thread	4					
6	1105329200006	U 形螺栓(后)	U bolt (rear)	2					
7	1105329200005	U 形螺栓(前)	U bolt (front)	2					
8	1106929200006	前板簧盖板	Cover plate, front leaf spring	2	1069VCJEA-0ADA23				
9	1105329200004	限位块	Limiting block	2	1069VCJEA-0ADA24				
10	Q341B16	1 型六角螺母	Hexagon nut, type-1	2	1069VCJEA-0ADA25				
11	Q40316	弹簧垫圈	Spring washer	2	1069VCJEA-0ADA26				
12	Q40216	大垫圈	Big washer	8	1069VCJEA-0ADA28				
13	1106629200012	减振器带套总成	Damper assy with sleeve	2	1069VCJEA-0ADA30				
14	1106629200015	减振器销套	Damper pin sleeve	4					
15	Q151B16115TF3	六角头螺栓-细牙	Hexagon head bolt - fine thread	4					
16	Q351B16	六角薄螺母-细牙	Hexagon thin nut- fine thread	4					
17	1105929200055	左前减振器下支架	Lower bracket for F.L. damper	1					
	1105929200056	右前减振器下支架	Lower bracket for F.R. damper	1					
18	Q40116	平垫圈	Flat washer	8					

1S10692920109 前悬架 Front suspension

序号 No.	零件代号 Part No.	零件名称及规格.	Part Name and Specification	适用车型及用量 (件) Applied Models and Quantity (Piece)					
				用量 Qty.	车型 Models	用量 Qty.	车型 Model	用量 Qty.	车型 Model
19	Q363B16	螺母	Nut	8	1069VCJEA-0ADA23 1069VCJEA-0ADA24 1069VCJEA-0ADA25 1069VCJEA-0ADA26 1069VCJEA-0ADA28 1069VCJEA-0ADA30				
20	1106929200070	前钢板弹簧总成	Front leaf spring assembly	2					
21	1106629200003	弹簧销定位螺栓	Locating bolt for spring bolt	4					
22	Q40310	弹簧垫圈	Spring washer	4					
23	Q341B10	1 型六角螺母-细牙	1-type hexagon nut-fine thread	4					
24	1106629200004	前钢板弹簧销	Front leaf spring pin	2					



1S10692950109 后悬架 Rear suspension



1S10692950109 后悬架 Rear suspension

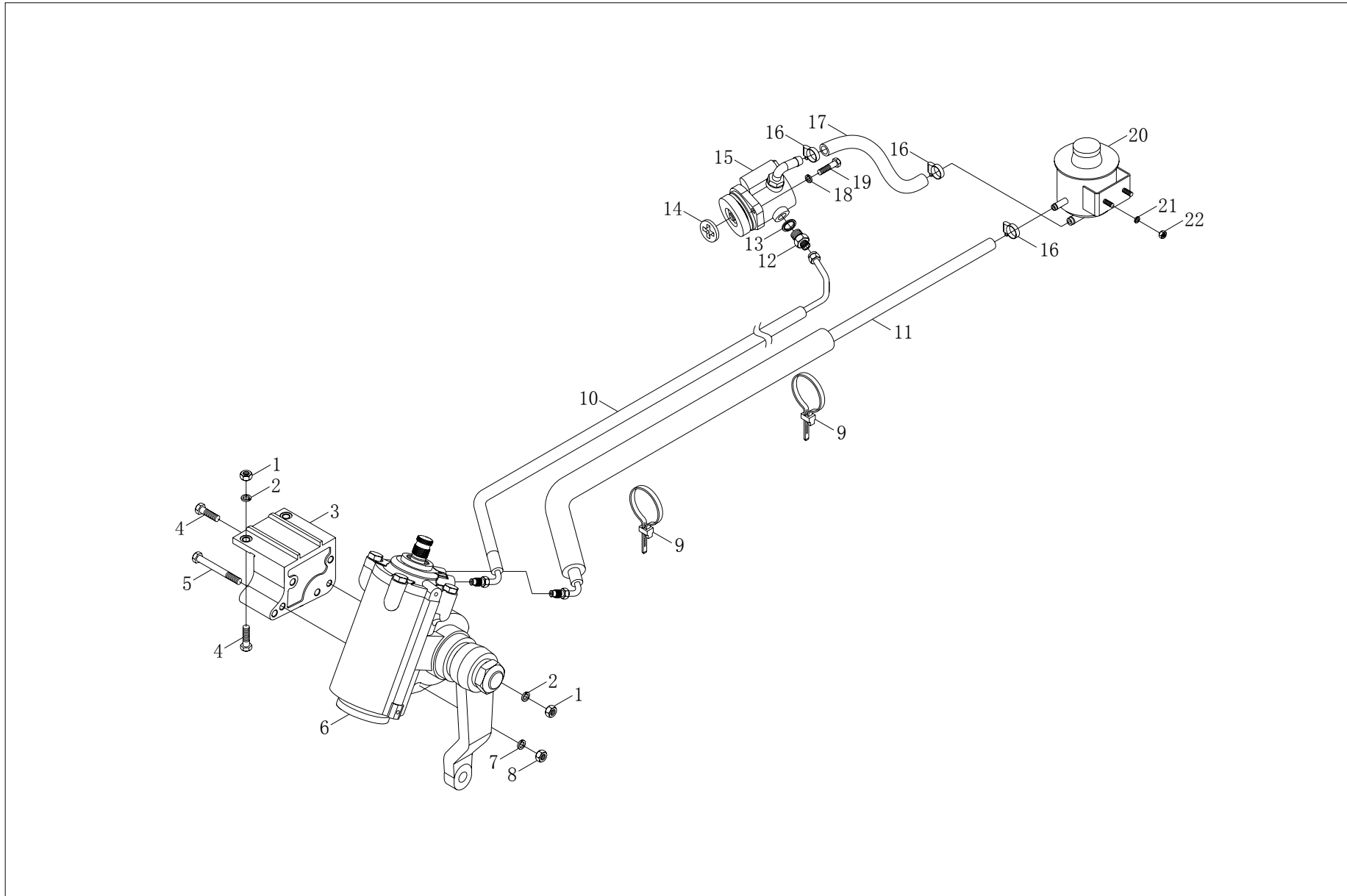
序号 No.	零件代号 Part No.	零件名称及规格. Part Name and Specification	适用车型及用量 (件) Applied Models and Quantity (Piece)						
			用量 Qty.	车型 Models	用量 Qty.	车型 Model	用量 Qty.	车型 Model	
	1S10692950109	后悬架	Rear suspension						
1	Q341B10	1 型六角螺母-细牙	1-type hexagon nut-fine thread	4					
2	Q40310	弹簧垫圈	Spring washer	4					
3	Q151B1060	六角头螺栓--细牙	Hexagon head bolt - fine thread	4					
4	1106629500011	吊耳带套总成	Lug with sleeve assy	2					
5	1106629500005	钢板弹簧销-后悬架 固定端	Leaf spring pin-fixed end for rear suspension	4					
6	1102922000075	直通式压注油杯	Straight forced filling oil cup	6					
7	1106629500006	钢板弹簧销	Steel strip spring pin	2					
8	1106929500042	后簧骑马螺栓	U bolt for rear spring	2	1069VCJEA-0ADA23				
9	1106629500003	U 型螺栓(后)	U bolt (rear)	2	1069VCJEA-0ADA24				
10	1106929500043	盖板	Cover plate	2	1069VCJEA-0ADA25				
11	Q151B1675	六角头螺栓-细牙	Hexagon head bolt - fine thread	2	1069VCJEA-0ADA26				
12	Q40316	弹簧垫圈	Spring washer	2	1069VCJEA-0ADA28				
13	Q341B16	1 型六角螺母	Hexagon nut, type-1	2	1069VCJEA-0ADA30				
14	1106929500039	减振器总成带套	Damper assy with sleeve	2					
15	1106929500025	减振器下销	Damper lower pin	2					
16	1106629500039	减振器下支架	Damper lower bracket	2					
17	1108929500038	碗形垫片(Φ20xΦ53)	Bowl-shaped pad (Φ20xΦ53)	2					
18	Q40218	大垫圈	Big washer	2					
19	Q40318	弹簧垫圈	Spring washer	2					

1S10692950109 后悬架 Rear suspension

序号 No.	零件代号 Part No.	零件名称及规格.	Part Name and Specification	适用车型及用量 (件) Applied Models and Quantity (Piece)					
				用量 Qty.	车型 Models	用量 Qty.	车型 Model	用量 Qty.	车型 Model
20	Q341B18	1 型六角螺母-细牙	1-type hexagon nut-fine thread	2	1069VCJEA-0ADA23 1069VCJEA-0ADA24 1069VCJEA-0ADA25 1069VCJEA-0ADA26 1069VCJEA-0ADA28 1069VCJEA-0ADA30				
21	Q340B12	1 型六角螺母	Hexagon nut, type-1	4					
22	Q40312	弹簧垫圈	Spring washer	8					
23	Q40112	平垫圈	Flat washer	4					
24	1105329500012	后缓冲块总成	Rear buffer block assy	2					
25	1108929500103	楔形锁销	Wedge-shaped lockpin	4					
26	Q341B12	1 型六角螺母-细牙	1-type hexagon nut-fine thread	4					
27	Q363B20	六角厚螺母	Hex thick nut	8					
28	Q40520	弹簧垫圈	Spring washer	8					
29	1106929500059	后钢板弹簧总成	Rear leaf spring assembly	2					



1S10693400105 转向器及附件 Steering gear and accessories



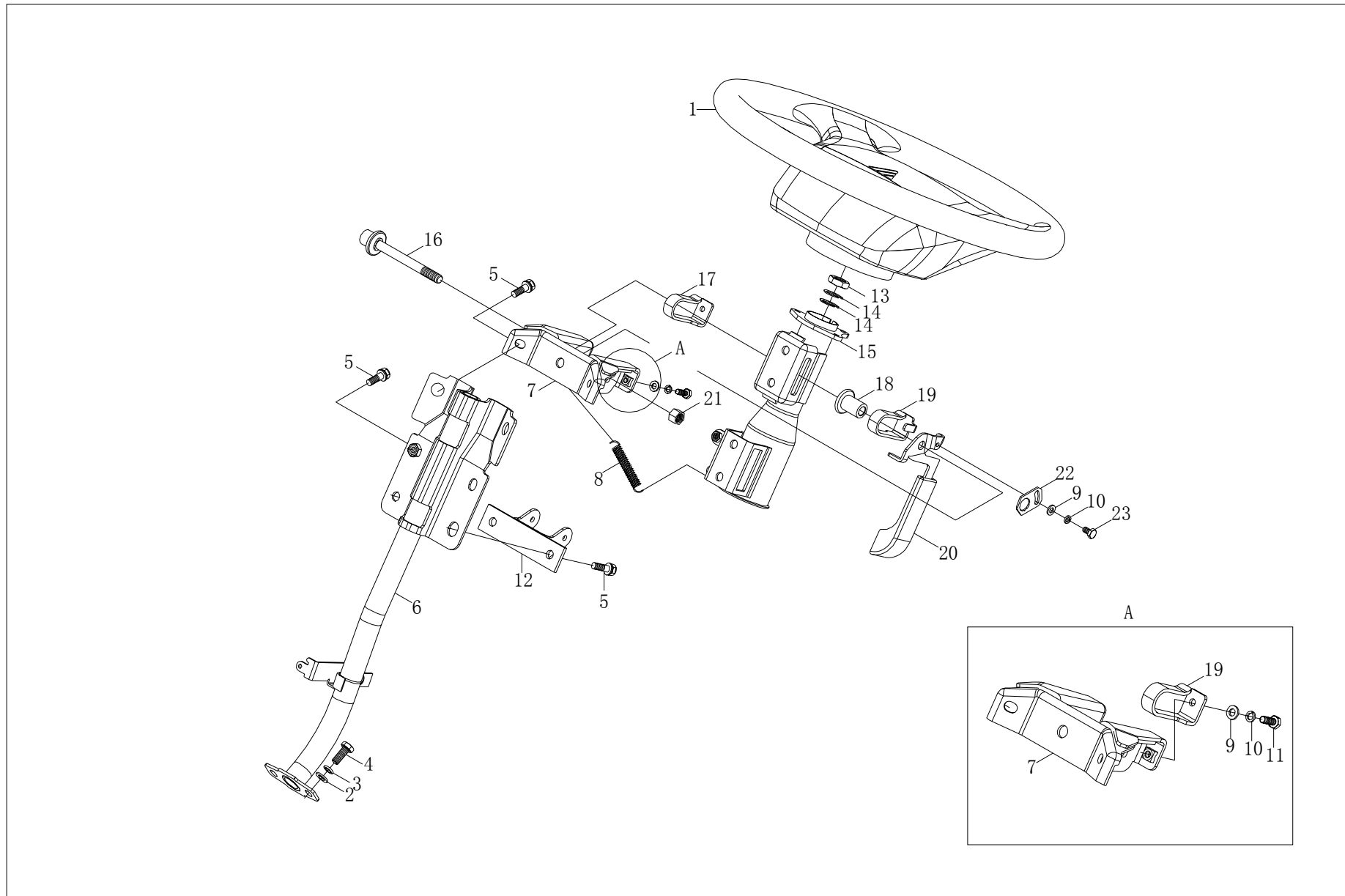
1S10693400105 转向器及附件 Steering gear and accessories

序号 No.	零件代号 Part No.	零件名称及规格.	Part Name and Specification	适用车型及用量 (件) Applied Models and Quantity (Piece)					
				用量 Qty.	车型 Models	用量 Qty.	车型 Model	用量 Qty.	车型 Model
	1S10693400105	转向器及附件	Steering gear and accessories						
1	Q340B12	1 型六角螺母	Hexagon nut, type-1	3					
2	Q40312	弹簧垫圈	Spring washer	3					
3	1106934000025	转向器支架	Bracket of steering gear	1					
4	Q150B1240	六角头螺栓	Hex head bolt	3					
5	Q150B12120TF3	六角头螺栓	Hex head bolt	3					
6	1106934000028	转向器带摇臂总成	Steering gear, with rocker arm assy	1					
7	Q40512	重型弹簧垫圈	Heavy-duty spring washer	3					
8	Q340B12T13F3	1 型六角螺母	Hexagon nut, type-1	3	1069VCJEA-0ADA23				
9	Q67407200	塑料紧固带	Plastic fixing straps	5	1069VCJEA-0ADA24				
10	1106934000037	高压油管总成	High-pressure oil pipe assembly	1	1069VCJEA-0ADA25				
11	1106934000038	低压油管总成	Low-pressure fuel pipe assembly	1	1069VCJEA-0ADA26				
12	1106934000043	卡套式端直通接头体	Bulkhead union body	1	1069VCJEA-0ADA28				
13	1106934000068	组合密封垫圈(Φ20)	Combined sealing washer (Φ20)	1	1069VCJEA-0ADA30				
14	1106934000034	传动套	Drive sleeve	1					
15	1106934000035	转向油泵总成	Steering oil reservoir assembly	1					
16	Q67627	B 型蜗杆传动式 软管环箍	B-type worm drive hose clip	3					
17	1106934000036	油泵进油管总成	Fuel pump inlet pipe assembly	1					
18	Q40310	弹簧垫圈	Spring washer	2					
19	Q150B1030	六角头螺栓	Hex head bolt	2					

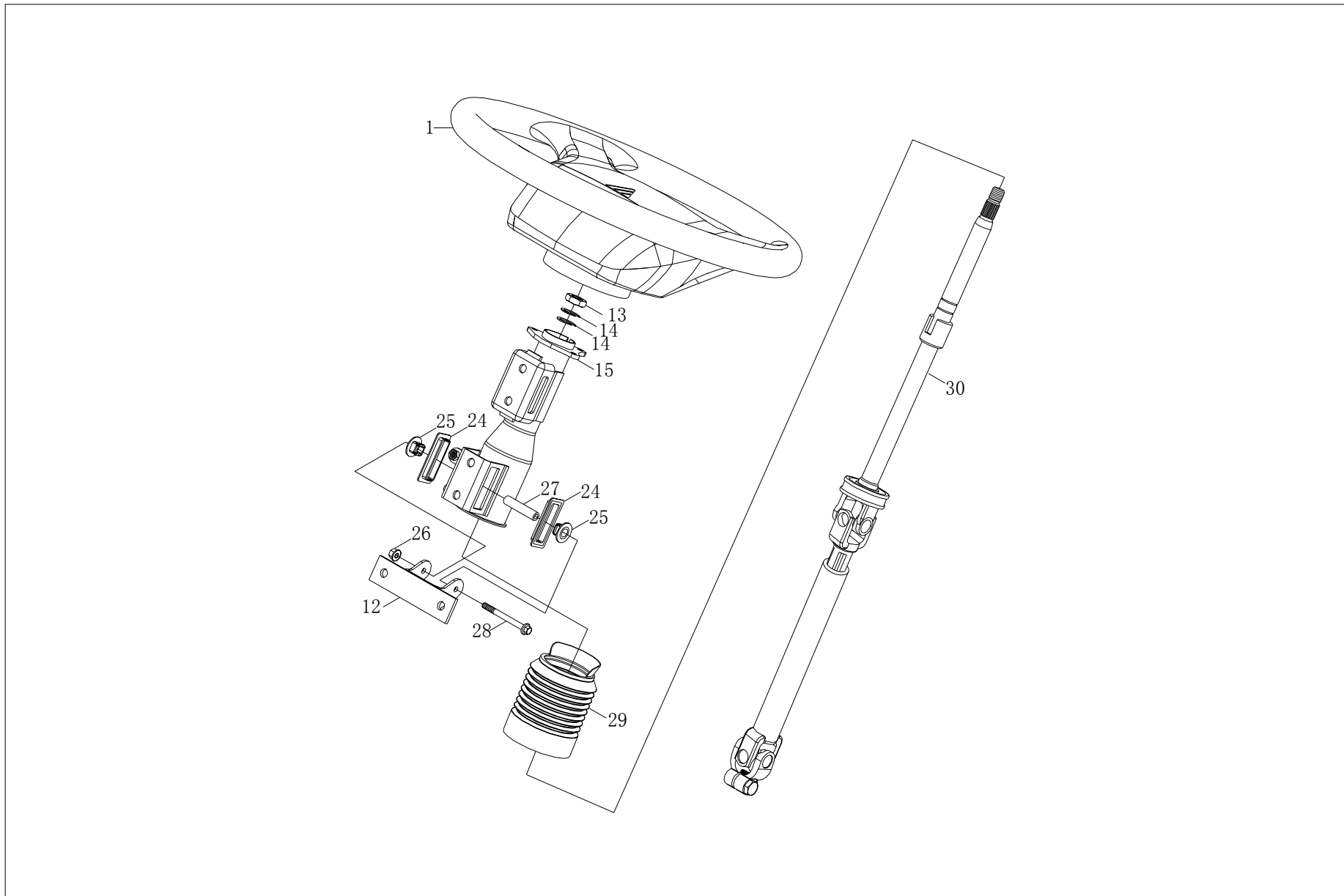
1S10693400105 转向器及附件 Steering gear and accessories

序号 No.	零件代号 Part No.	零件名称及规格. Part Name and Specification	适用车型及用量 (件) Applied Models and Quantity (Piece)						
			用量 Qty.	车型 Models	用量 Qty.	车型 Model	用量 Qty.	车型 Model	
20	1106934000045	转向油罐总成	Steering oil reservoir assembly	1	1069VCJEA-0ADA23 1069VCJEA-0ADA24 1069VCJEA-0ADA25 1069VCJEA-0ADA26 1069VCJEA-0ADA28 1069VCJEA-0ADA30				
21	Q40308	弹簧垫圈	Spring washer	2					
22	Q340B08	1 型六角螺母	Hexagon nut, type-1	2					

1S10493420105 转向传动装置-1 Steering transmission-1



1S10493420105 转向传动装置-2 Steering transmission-2



1S10493420105 转向传动装置 Steering transmission

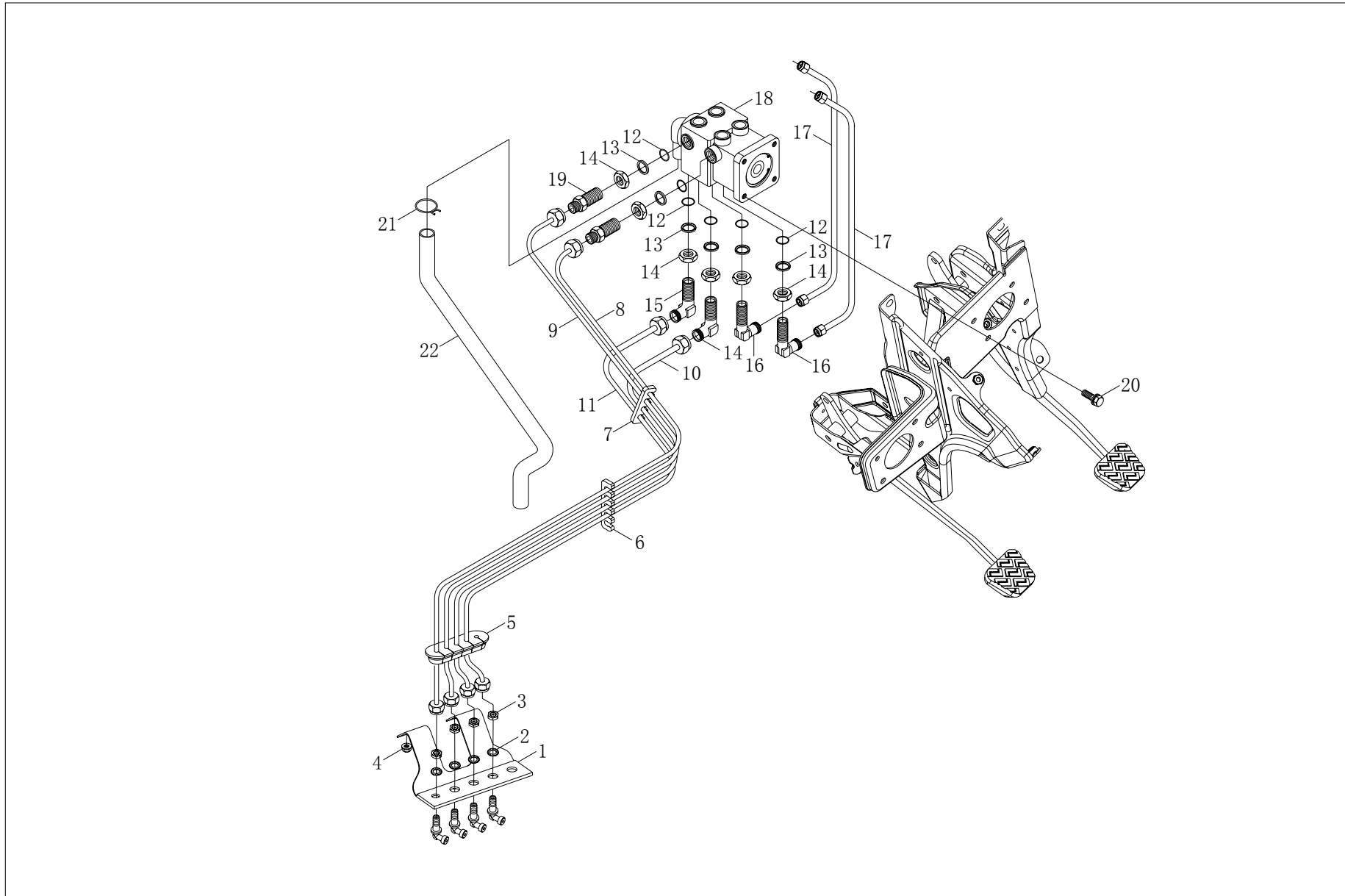
序号 No.	零件代号 Part No.	零件名称及规格.	Part Name and Specification	适用车型及用量 (件) Applied Models and Quantity (Piece)					
				用量 Qty.	车型 Models	用量 Qty.	车型 Model	用量 Qty.	车型 Model
	1S10493420105	转向传动装置	Steering transmission						
1	1104934200110	转向盘带喇叭按钮总成	Steering wheel with horn button assy	1					
2	Q40108	平垫圈	Flat washer	8					
3	Q40308	弹簧垫圈	Spring washer	8					
4	Q174B0820	螺栓	Bolt	2					
5	Q1460825	六角头螺栓、弹簧垫圈和平垫组合件	Hexagon head bolt, spring washer and flat washer assembly	6					
6	1104934200125	转向管柱支架焊合	Bracket weldment for steering column	1					
	1104934200102	转向操纵机构总成	Steering mechanism assy	1					
7	1104934200115	转向可调支架焊合	Steering adjustable bracket weldment	1	1069VCJEA-0ADA23				
8	1104934200136	弹簧	Spring	1	1069VCJEA-0ADA24				
9	Q40106	平垫圈	Flat washer	3	1069VCJEA-0ADA25				
10	Q40306	弹簧垫圈	Spring washer	3	1069VCJEA-0ADA26				
11	Q150B0616	六角头螺栓	Hex head bolt	2	1069VCJEA-0ADA28				
12	1104934200120	下调整支架焊合	Lower adjusting bracket weldment	1	1069VCJEA-0ADA30				
13	Q351C14	螺母	Nut	1					
14	1104934200143	挡圈	Circlip	2					
15	1104934200150	转向管柱焊合	Steering column weldment	1					
16	1104934200130	锁紧螺栓	Locking bolt	1					
17	1104934200132	右限位支架	Limit bracket(right)	1					
18	1104934200131	锁紧套	Locking sleeve	1					

1S10493420105 转向传动装置 Steering transmission

序号 No.	零件代号 Part No.	零件名称及规格.	Part Name and Specification	适用车型及用量 (件) Applied Models and Quantity (Piece)					
				用量 Qty.	车型 Models	用量 Qty.	车型 Model	用量 Qty.	车型 Model
19	1104934200133	左限位支架	Limit bracket(left)	1	1069VCJEA-0ADA23 1069VCJEA-0ADA24 1069VCJEA-0ADA25 1069VCJEA-0ADA26 1069VCJEA-0ADA28 1069VCJEA-0ADA30				
20	1104934200140	调整手柄	Adjusting handle	1					
21	1104934200135	螺母	Nut	1					
22	1104934200134	防松垫片	Check washer	1					
23	Q150B0610	六角头螺栓	Hex head bolt	1					
24	1104934200156	固定垫圈	Fixed washer	2					
25	1104934200157	滑块	Sliding block	2					
26	Q33006	全金属六角法兰面 锁紧螺母	All-metal hex lock nut with flange	1					
27	1104934200158	滑动轴	Sliding axle	1					
28	Q1840665	六角法兰面螺栓	Hex flange bolt	1					
29	1104934200191	防尘套	Dust cover	1					
30	1104934200160	转向传动轴总成	Steering drive shaft assembly	1					



1S10693590101 制动管路（车身） Brake pipeline -(body)



1S10693590101 制动管路（车身） Brake pipeline -(body)

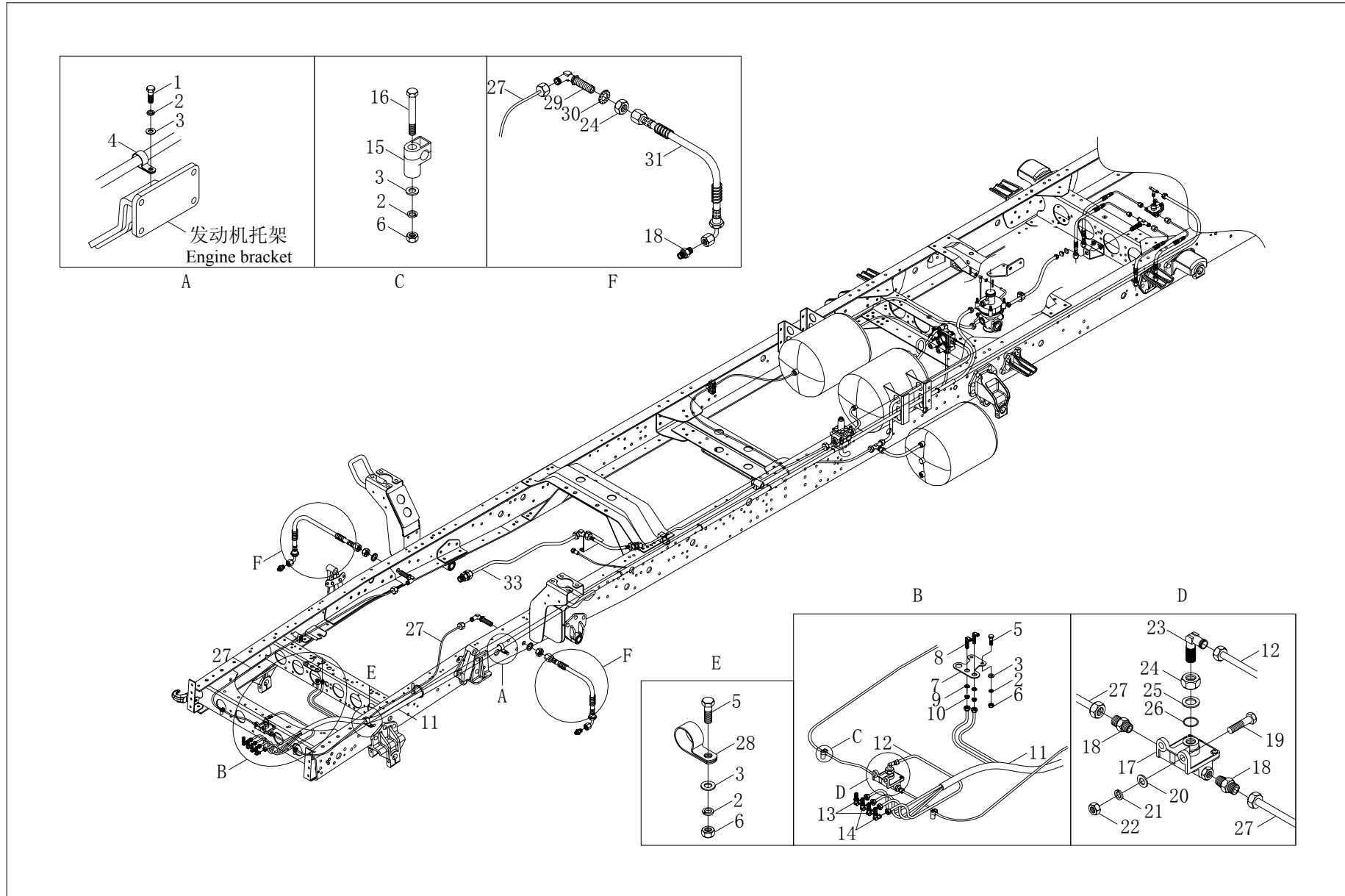
序号 No.	零件代号 Part No.	零件名称及规格.	Part Name and Specification	适用车型及用量（件） Applied Models and Quantity (Piece)					
				用量 Qty.	车型 Models	用量 Qty.	车型 Model	用量 Qty.	车型 Model
	1S10693590101	制动管路（车身）	Brake pipeline -(body)						
1	1104335900028	固定支架总成	Fixed bracket assy	1					
2	Q41214	外锯齿锁紧垫圈	External teeth serrated lock washer	4					
3	Q351B14	六角薄螺母—细牙	Hexagon thin nut - fine thread	4					
4	Q32010F30	六角法兰面螺母	Hex flange nut	2					
5	1104335900024	密封圈	Sealing ring	1					
6	1104335900026	五管卡	5-pipe clamp	1					
7	1104335900025	四管卡	4-pipe clamp	1					
8	1104335900020	后储气筒-制动阀 尼龙管总成	Rear air-reservoir tank- nylon pipe assy for brake valve	1	1069VCJEA-0ADA23 1069VCJEA-0ADA24 1069VCJEA-0ADA25 1069VCJEA-0ADA26 1069VCJEA-0ADA28 1069VCJEA-0ADA30				
9	1104335900021	前储气筒-制动阀 尼龙管总成	Front air-reservoir tank- nylon pipe assy for brake valve	1					
10	1104335900023	继动阀-制动阀 尼龙管总成	Relay valve -nylon pipe assy for brake valve	1					
11	1104335900022	快放阀-制动阀 尼龙管总成	Quick release valve - nylon pipe assy for brake valve	1					
12	1104635900011	O型密封圈 16	O-ring 16	6					
13	1104635900010	密封垫	Sealing gasket	6					
14	Q80216	六角薄螺母—细牙	Hexagon thin nut - fine thread	6					
15	1104635900002	卡套式端直角接头体	Ferrule right angle elbow body	2					
16	1106635600039	直角接头体(二)	Right angle elbow-body (II)	2					
17	1104335900008	制动阀—气压表 尼龙管总成（一）	Brake valve-barometer nylon pipe assy (I)	2					
18	1104335900027	串列式双腔制动阀总成	Series dual-chamber brake valve assy	1					
19	1104335900019	卡套式隔壁直通接头体	Ferrule bulkhead union body	2					

1S10693590101 制动管路（车身） Brake pipeline -(body)

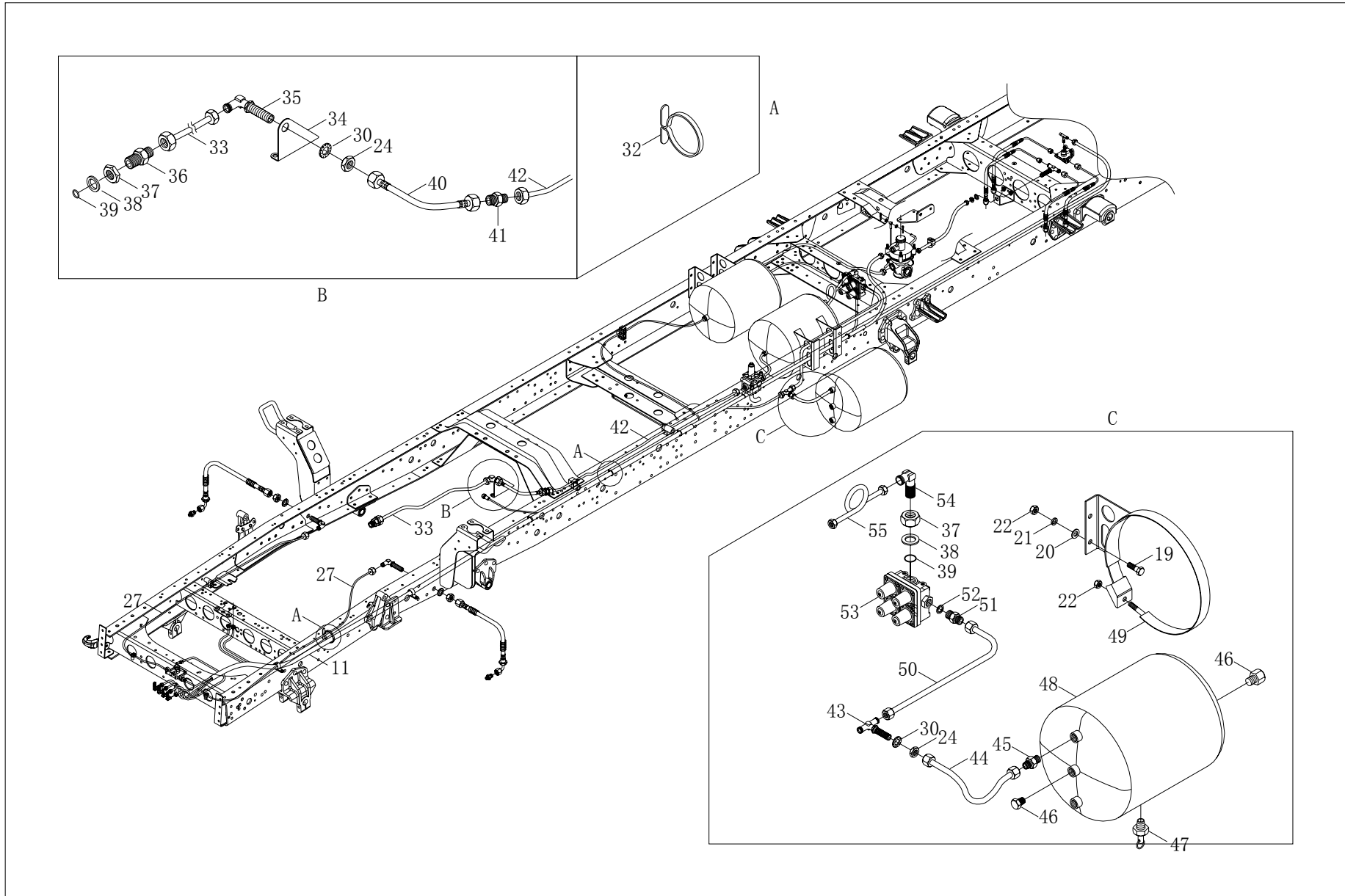
序号 No.	零件代号 Part No.	零件名称及规格.	Part Name and Specification	适用车型及用量（件） Applied Models and Quantity (Piece)					
				用量 Qty.	车型 Models	用量 Qty.	车型 Model	用量 Qty.	车型 Model
20	Q1460830F30	六角头螺栓、弹簧垫圈 和平垫圈组合件	Hex head bolt, spring washer and flat washer assembly	4	1069VCJEA-0ADA23 1069VCJEA-0ADA24 1069VCJEA-0ADA25 1069VCJEA-0ADA26 1069VCJEA-0ADA28 1069VCJEA-0ADA30				
21	Q671B20	钢丝型弹性环箍	Steel wire elastic hoop	1					
22	1104335900018	放气弯管	Outlet elbow	1					



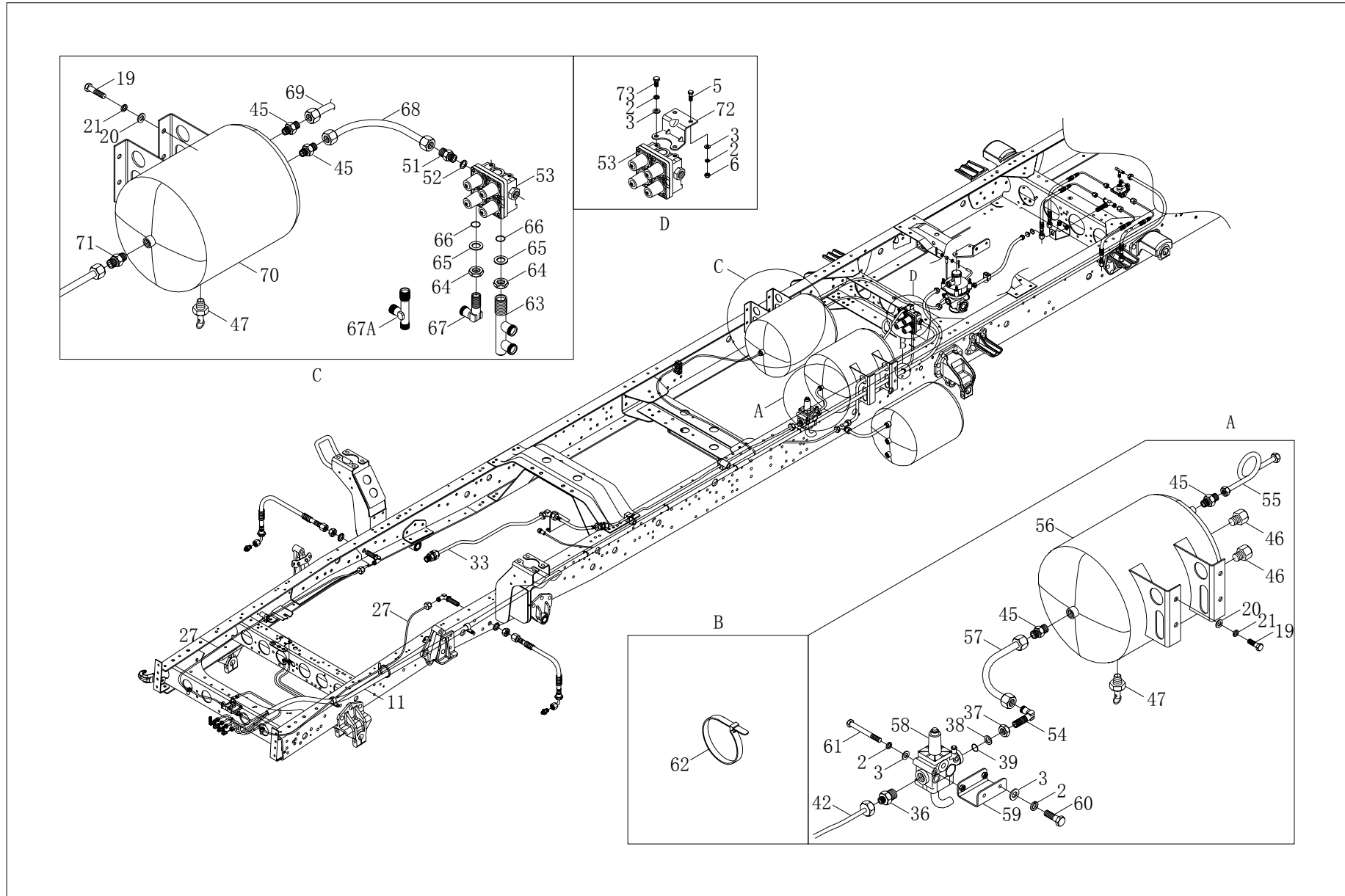
1S10693560171、1S10693560176 制动管路-底盘部分-1 Brake pipeline- chassis part-1



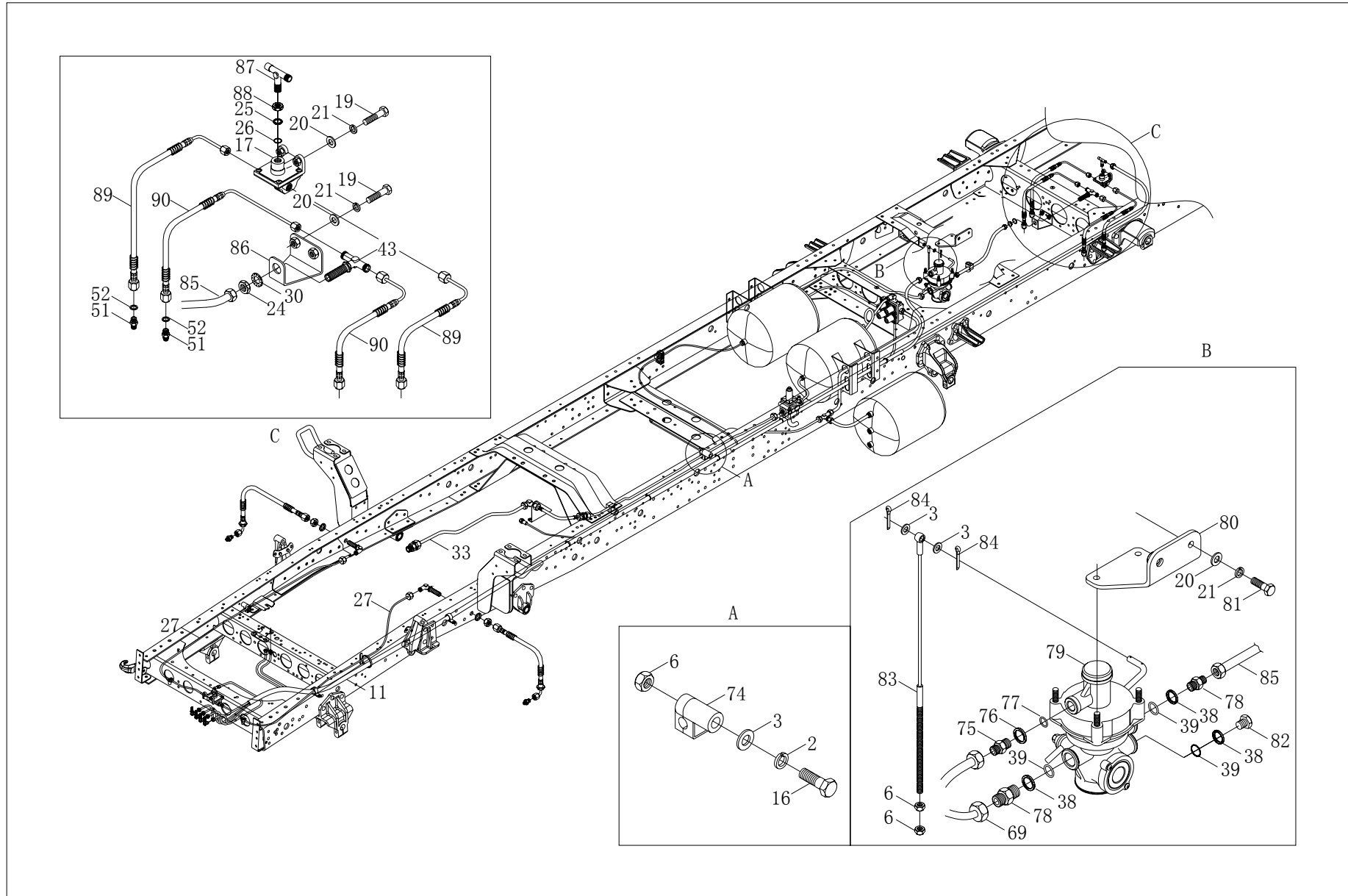
1S10693560171、1S10693560176 制动管路-底盘部分-2 Brake pipeline- chassis part-2



1S10693560171、1S10693560176 制动管路-底盘部分-3 Brake pipeline- chassis part-3



1S10693560171、1S10693560176 制动管路-底盘部分-4 Brake pipeline- chassis part-4



1S10693560171、1S10693560176 制动管路-底盘部分 Brake pipeline- chassis part

序号 No.	零件代号 Part No.	零件名称及规格	Part Name and Specification	适用车型及用量 (件) Applied Models and Quantity (Piece)					
				用量 Qty.	车型 Models	用量 Qty.	车型 Model	用量 Qty.	车型 Model
	1S10693560171	制动管路-底盘部分	Brake pipeline- chassis part	1					
	1S10693560176	制动管路-底盘部分	Brake pipeline- chassis part			1			
1	Q150B0850	六角头螺栓	Hex head bolt	1		1			
2	Q40308	弹簧垫圈	Spring washer	18		18			
3	Q40108	平垫圈	Flat washer	20		20			
4	1106935600024	管束卡子	Bundle clamp	1		1			
5	Q150B0825	六角头螺栓	Hex head bolt	5		5			
6	Q340B08	1型六角螺母	Hexagon nut, type-1	13		13			
7	L0162060013A0	离合软管支架	Clutch hose bracket	1		1			
8	1104635600011	卡套式隔壁 直角接头体(一)	Ferrule bulkhead union elbow body (I)	2	1069VCJEA-0ADA23 1069VCJEA-0ADA25	2	1069VCJEA-0ADA24 1069VCJEA-0ADA26 1069VCJEA-0ADA28 1069VCJEA-0ADA30		
9	Q41214	外锯齿锁紧垫圈	External teeth serrated lock washer	2		2			
10	Q351B14	六角薄螺母—细牙	Hexagon thin nut - fine thread	2		2			
11	1106935600275	制动尼龙管束总成	Nylon pipe bundle assy for brake	1					
11	L0356014053A0	制动尼龙管束总成	Nylon pipe bundle assy for brake			1			
12	1104635600031	前气室胶管总成	Hose assembly for front gas chamber	1		1			
13	L0356011059A0	接头	Connector	2		2			
14	L0356011060A0	接头	Connector	2		2			
15	1104635600061	一管夹组件	1st Pipe clamp assy	3		3			
16	Q150B0860	六角头螺栓	Hex head bolt	6		6			

1S10693560171、1S10693560176 制动管路-底盘部分 Brake pipeline- chassis part

序号 No.	零件代号 Part No.	零件名称及规格	Part Name and Specification	适用车型及用量 (件) Applied Models and Quantity (Piece)					
				用量 Qty.	车型 Models	用量 Qty.	车型 Model	用量 Qty.	车型 Model
17	1104635600007	快放阀	Quick release valve	2	1069VCJEA-0ADA23 1069VCJEA-0ADA25	2	1069VCJEA-0ADA24 1069VCJEA-0ADA26 1069VCJEA-0ADA28 1069VCJEA-0ADA30		
18	1104635600008	卡套式锥螺纹直通接头体(一)	Ferrule male connector-body (I)	6		6			
19	Q150B1025	六角头螺栓	Hex head bolt	18		14			
20	Q40110	平垫圈	Flat washer	20		20			
21	Q40310	弹簧垫圈	Spring washer	20		20			
22	Q340B10	1 型六角螺母	Hexagon nut, type-1	12		12			
23	1104635600009	卡套式端直角接头体	Ferrule straight thread elbow body	1		1			
24	Q351B18	六角薄螺母-细牙	Hexagon thin nut- fine thread	6		6			
25	1104635600029	密封垫	Sealing gasket	2		2			
26	1104635600056	O 型密封圈 18	O-ring 18	2		2			
27	1104935600204	调压阀-湿储气筒尼龙管总成	Regulator - wet reservoir nylon pipe assy.	2		2			
28	L0356007015A0	管卡	Pipe clamp	1		1			
29	1116335600042	卡套式隔壁直角接头体	Bulkhead union elbow – body	2		2			
30	Q41218	外锯齿锁紧垫圈	External teeth serrated lock washer	4		4			
31	1106935600105	前制动胶管总成	Hose assy for front brake	2		2			
32	1102936200061	线卡子 1	Cable clip 1	12	12				
33	1106935600068	空压机钢管总成	Steel pipe assy for air compressor	1	1				
34	1106935600074	固定支架	Fixing bracket	1	1				
35	1104635600021	卡套式隔壁直角接头体(二)	Ferrule bulkhead union elbow-body (II)	1	1				

1S10693560171、1S10693560176 制动管路-底盘部分 Brake pipeline- chassis part

序号 No.	零件代号 Part No.	零件名称及规格	Part Name and Specification	适用车型及用量 (件) Applied Models and Quantity (Piece)					
				用量 Qty.	车型 Models	用量 Qty.	车型 Model	用量 Qty.	车型 Model
36	1105335600008	卡套式端直通接头体	Bulkhead union body	2	1069VCJEA-0ADA23 1069VCJEA-0ADA25	2	1069VCJEA-0ADA24 1069VCJEA-0ADA26 1069VCJEA-0ADA28 1069VCJEA-0ADA30		
37	Q80222	卡套式管接头 用六角薄螺母	Hexagon thin nut for ferrule pipe connector	4		4			
38	1417035600120	密封垫	Sealing gasket	7		7			
39	NMO20X2.65G	O 型橡胶密封圈	O-ring	7		7			
40	1108935600077	连接胶管总成	Connecting hose assy	1		1			
41	1104635600012	卡套式直通接头体	Ferrule straight thread connector-body	1		1			
42	1106935600232	调压阀钢管总成	Steel pipe assy for pressure regulating valve	1		1			
43	1105335600013	卡套式隔壁 三通接头体	Ferrule bulkhead three-way connector-body	2		2			
44	1106935600053	前储气筒尼龙管总成 1	Front reservoir nylon pipe assy 1	1		1			
45	1104635600015	卡套式锥螺纹 直通接头体(三)	Male connector- Body (III)	5		5			
46	1104635600059	六角头锥形螺塞	Hex head tapered screw plug	4		4			
47	1104635600006	放水阀	Water drain valve	3		3			
48	1106635613001	储气筒	Air reservoir	1		1			
49	1104635600055	储气筒支架总成 (三)	Air reservoir bracket assy. (III)	2		2			
50	1104335600425	调压阀- 湿储气筒尼龙管总成	Regulator - wet reservoir nylon pipe assy.	1		1			
51	1105335600011	卡套式端直通接头体	Bulkhead union body	6		6			
52	1104635900014	紫铜平垫	Copper flat washer	6		6			
53	1106935600222	四回路保护阀总成	Four circuit protection valve assembly	1		1			
54	1104335600172	卡套式隔壁直角接头体	Bulkhead union elbow - body	2		2			

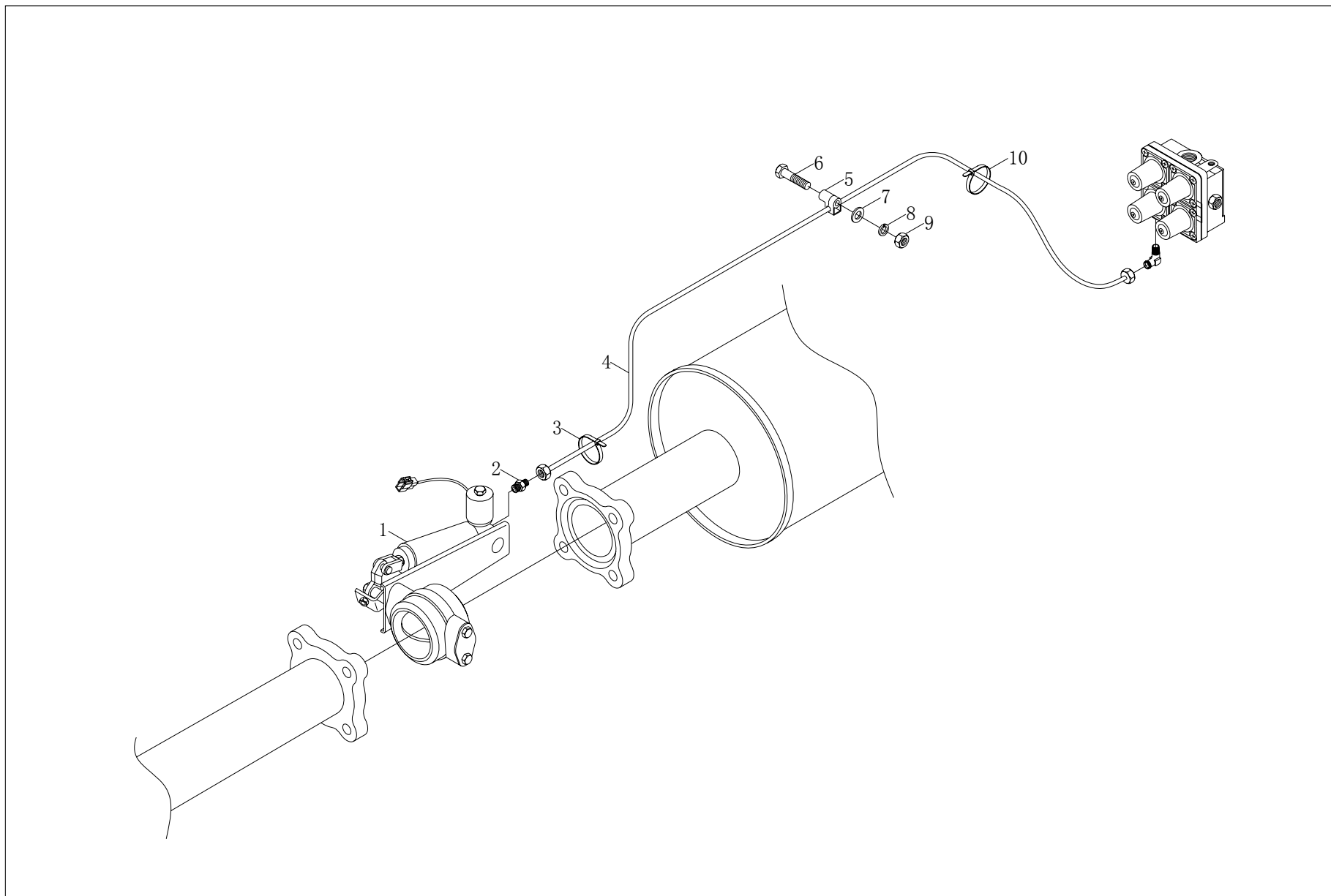
1S10693560171、1S10693560176 制动管路-底盘部分 Brake pipeline- chassis part

序号 No.	零件代号 Part No.	零件名称及规格	Part Name and Specification	适用车型及用量 (件) Applied Models and Quantity (Piece)					
				用量 Qty.	车型 Models	用量 Qty.	车型 Model	用量 Qty.	车型 Model
55	1106935600221	尼龙管总成	Nylon pipe assy	1	1069VCJEA-0ADA23 1069VCJEA-0ADA25	1	1069VCJEA-0ADA24 1069VCJEA-0ADA26 1069VCJEA-0ADA28 1069VCJEA-0ADA30		
56	1106935600199	储气筒总成	Air reservoir assy.	1		1			
57	1108935600109	主储气筒-前副储气筒尼龙管总成	Nylon pipe assy.-main reservoir to front auxiliary reservoir	1		1			
58	1104335600149	调压阀总成	Pressure regulator valve assy.	1		1			
59	1104335600163	调压阀支架总成	Pressure adjusting valve bracket assy.	1		1			
60	Q150B0822	六角头螺栓	Hex head bolt	2		2			
61	Q150B0875	六角头螺栓	Hex head bolt	2		2			
62	Q67407200	塑料紧固带	Plastic wrapping strap	1		1			
63	L0356011043A0	卡套式 F 型三通接头	F-type ferrule tee	1		1			
64	Q80216	六角薄螺母—细牙	Hexagon thin nut - fine thread	2		2			
65	1104635900010	密封垫	Sealing gasket	2		2			
66	1104635900011	O 型密封圈 16	O-ring 16	2		2			
67	1106635600039	直角接头体(二)	Straight thread elbow-body (II)	1					
67A	1106935600060	卡套式直角三通接头体	Body, ferrule right-angle tee fitting joint body			1			
68	1104335600483	四回路保护阀-后储气筒尼龙管总成	Four circuit protection valve - air reservoir nylon pipe assy	1		1			
69	1106935600277	后储气筒-感载阀尼龙管总成	Rear air-reservoir tank-nylon pipe assy for brake valve	1		1			
70	1104335600486	储气筒总成	Air reservoir assy.	1		1			
71	1104635600019	卡套式锥螺纹直通接头体(五)	Male connector-Body (V)			1			
72	13076356X0089	四回路保护阀支架	Four circuit protection valve bracket	1		1			

1S10693560171、1S10693560176 制动管路-底盘部分 Brake pipeline- chassis part

序号 No.	零件代号 Part No.	零件名称及规格	Part Name and Specification	适用车型及用量 (件) Applied Models and Quantity (Piece)					
				用量 Qty.	车型 Models	用量 Qty.	车型 Model	用量 Qty.	车型 Model
73	Q150B0816	六角头螺栓	Hex head bolt	2	1069VCJEA-0ADA23 1069VCJEA-0ADA25	2	1069VCJEA-0ADA24 1069VCJEA-0ADA26 1069VCJEA-0ADA28 1069VCJEA-0ADA30		
74	1106635600093	一管夹组件(-)	Pipe clamp componets (I)	3		3			
75	1417035600176	卡套式端直通变径接头	Ferrule straight thread reducing connector	1		1			
76	1417035600121	密封垫	Sealing gasket	1		1			
77	NMO14X2.65G	O 型橡胶密封圈	O-ring	1		1			
78	1417035600174	卡套式端直通异径接头体	Ferrule straight thread reducing connector-Body	2		2			
79	1104935600188	感载比例阀总成	LSPV (load sensing proportioning valve) assy	1		1			
80	1104135600034	感载比例阀支架总成	LSPV (load sensing proportioning valve) assy	1		1			
81	Q150B1035	六角头螺栓	Hex head bolt	2		2			
82	Q617B22	六角头螺塞	Hex head bolt	1					
83	1414135629002	拉丝总成-感载阀	Drawing assy-loading sensing valve	1		1			
84	Q5001620	开口销	Cotter pin	2		2			
85	1106935600278	感载阀-三通尼龙管总成	Loading sensing valve -three-way nylon pipe assy	1		1			
86	1104135600035	快放阀支架总成	Bracket assy for quick release valve	1		1			
87	1108935600052	卡套式三通接头体	Ferrule three-way connector body	1		1			
88	Q80218	卡套式管接头用六角薄螺母	Hexagon thin nut for ferrule pipe connector	1		1			
89	1104635600168	后气室胶管总成	Hose assy for rear gas chamber	2		2			
90	1106935600142	连接胶管总成	Connecting hose assy	2		2			
91	Q150B1030	六角头螺栓	Hex head bolt			4			

1S10693500103 辅助制动 Auxiliary brake

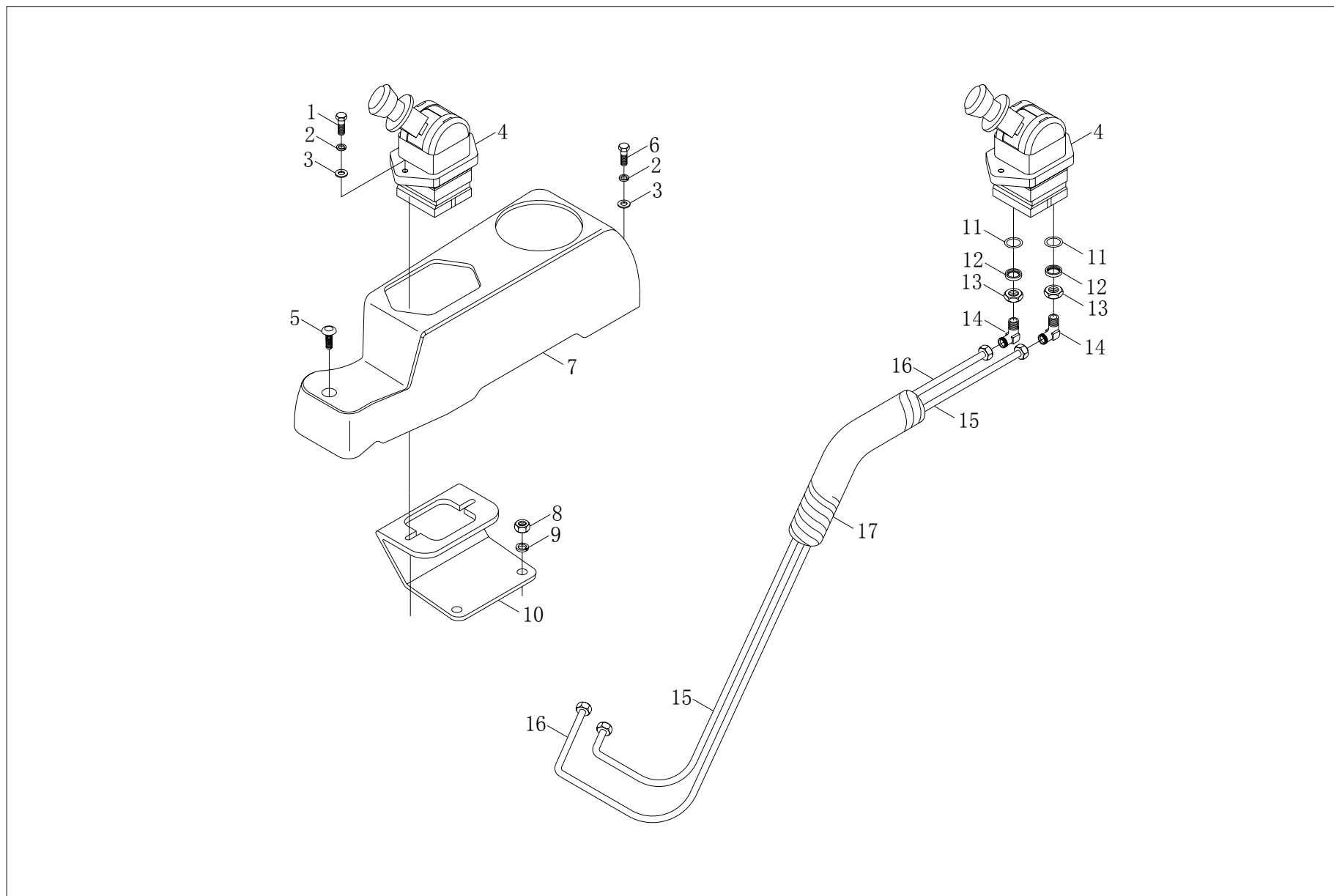


1S10693500103 辅助制动 Auxiliary brake

序号 No.	零件代号 Part No.	零件名称及规格.	Part Name and Specification	适用车型及用量 (件) Applied Models and Quantity (Piece)					
				用量 Qty.	车型 Models	用量 Qty.	车型 Model	用量 Qty.	车型 Model
	1S10693500103	辅助制动	Auxiliary brake	1					
1	1106935000019	排气制动阀	Exhaust brake valve	1					
2	1104635000006	卡套式锥螺纹直通接头体(二)	Male connector-Body (II)	1					
3	Q67407100	塑料紧箍带	Plastic band	2					
4	1104335000061	电磁阀-四回路阀 尼龙管总成	Solenoid vavle - four circuit protection valve nylon pipe assy	1					
5	1106616200005	一管夹组件(二)	1 pipe clamp assy (II)	4					
6	Q150B0660	六角头螺栓	Hex head bolt	4					
7	Q40106	平垫圈	Flat washer	4					
8	Q40306	弹簧垫圈	Spring washer	4					
9	Q340B06	1 型六角螺母	Hexagon nut, type-1	4	1069VCJEA-0ADA23 1069VCJEA-0ADA24 1069VCJEA-0ADA25 1069VCJEA-0ADA26 1069VCJEA-0ADA28 1069VCJEA-0ADA30				
10	Q67407200	塑料紧固带	Plastic fixing straps	1					



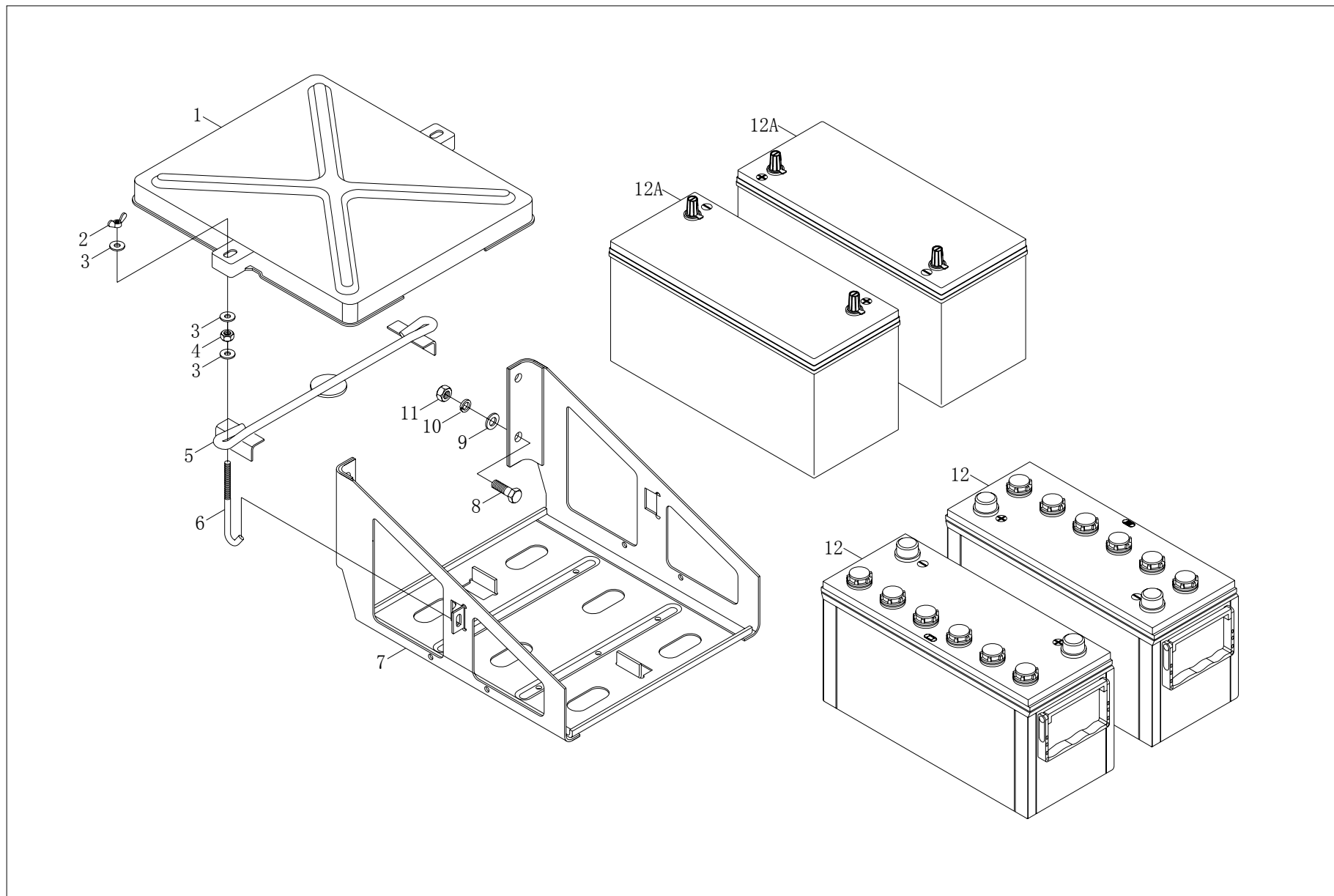
1S10693530201 驻车制动操纵机构 Parking brake control mechanism



1S10693530201 驻车制动操纵机构 Parking brake control mechanism

序号 No.	零件代号 Part No.	零件名称及规格.	Part Name and Specification	适用车型及用量 (件) Applied Models and Quantity (Piece)					
				用量 Qty.	车型 Models	用量 Qty.	车型 Model	用量 Qty.	车型 Model
	1S10693530201	驻车制动操纵机构	Parking brake control mechanism						
1	Q150B0625	六角头螺栓	Hex head bolt	2					
2	Q40306	弹簧垫圈	Spring washer	3					
3	Q40106	平垫圈	Flat washer	3					
4	1315035300005	手制动阀总成	Hand brake valve assembly	1					
5	1104935300006	固定卡钉	Fixing screw	1					
6	Q150B0620	六角头螺栓	Hex head bolt	1					
7	L0353100002A0	手制动阀护罩	Shield for manual braking valve	1					
8	Q340B08	1型六角螺母	Hexagon nut, type-1	2					
9	Q40308	弹簧垫圈	Spring washer	2	1069VCJEA-0ADA23				
10	L0353140005A0	手制动阀支架	Bracket for manual braking valve	1	1069VCJEA-0ADA24				
11	NMO16×2.65G	O型密封圈	O-ring	2	1069VCJEA-0ADA25				
12	1417035600121	密封垫	Sealing gasket	2	1069VCJEA-0ADA26				
13	Q351B16	六角薄螺母-细牙	Hexagon thin nut- fine thread	2	1069VCJEA-0ADA28				
14	1104635900002	卡套式端直角接头体	Ferrule straight thread elbow body	2	1069VCJEA-0ADA30				
15	1106935300007	手制动尼龙管总成 2	Manual braking nylon pipe assy 2	1					
16	1106935300006	手制动尼龙管总成 1	Manual braking nylon pipe assy 1	1					
17	1104635600076	护套(四)	Sleeve (IV)	3					

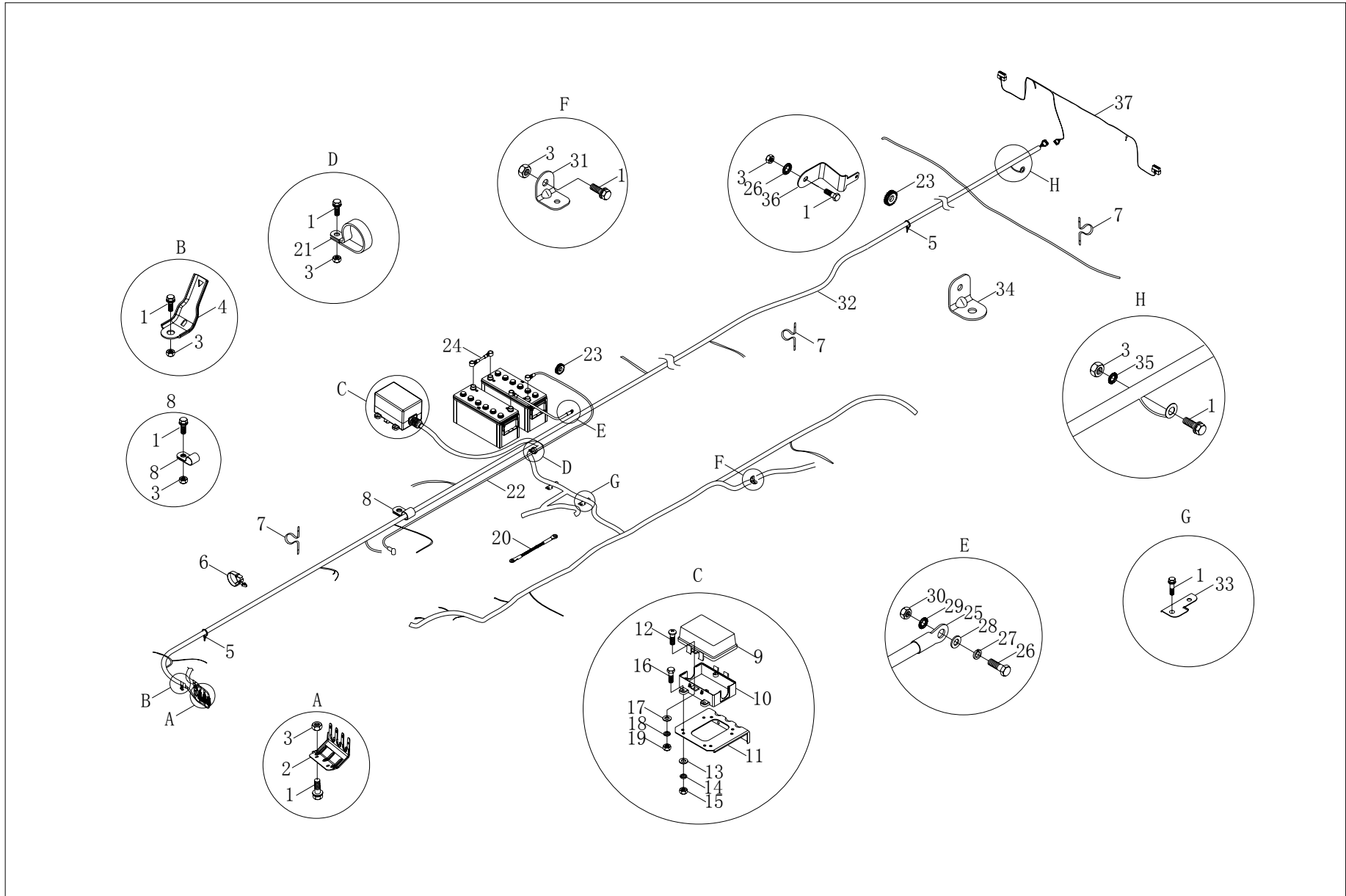
1S10693613001、1S10693613003 蓄电池 Battery



1S10693613001、1S10693613003 蓄电池 Battery

序号 No.	零件代号 Part No.	零件名称及规格. Part Name and Specification	适用车型及用量 (件) Applied Models and Quantity (Piece)						
			用量 Qty.	车型 Models	用量 Qty.	车型 Model	用量 Qty.	车型 Model	
	1S10693613001	蓄电池	Battery	1					
	1S10693613003	蓄电池	Battery			1			
1	1104336100024	防护盖	Protective cover	1		1			
2	Q39008	蝶形螺母	Butterfly nut	2		2			
3	Q40208	大垫圈	Big washer	6		6			
4	Q340B08	1 型六角螺母	Hexagon nut, type-1	2		2			
5	1103636100115	蓄电池压板	Battery pressure plate	1		1			
6	1104336110020	蓄电池固定拉杆	Battery fixing pull rod	2		2			
7	1106936100020	电瓶架焊合总成	Battery tray bracket weldment assy	1		1			
8	Q150B1235	六角头螺栓	Hex head bolt	4	1069VCJEA-0ADA23	4	1069VCJEA-0ADA28		
9	Q40112	平垫圈	Flat washer	4	1069VCJEA-0ADA24	4	1069VCJEA-0ADA30		
10	Q40312	弹簧垫圈	Spring washer	4	1069VCJEA-0ADA25	4			
11	Q340B12	1 型六角螺母	Hexagon nut, type-1	4	1069VCJEA-0ADA26	4			
12	1110836100001	蓄电池	Battery	2					
12A	1102236100103	蓄电池总成	Battery assy			2			

1S10693623001、1S10693623049 底盘线束 Chassis harness



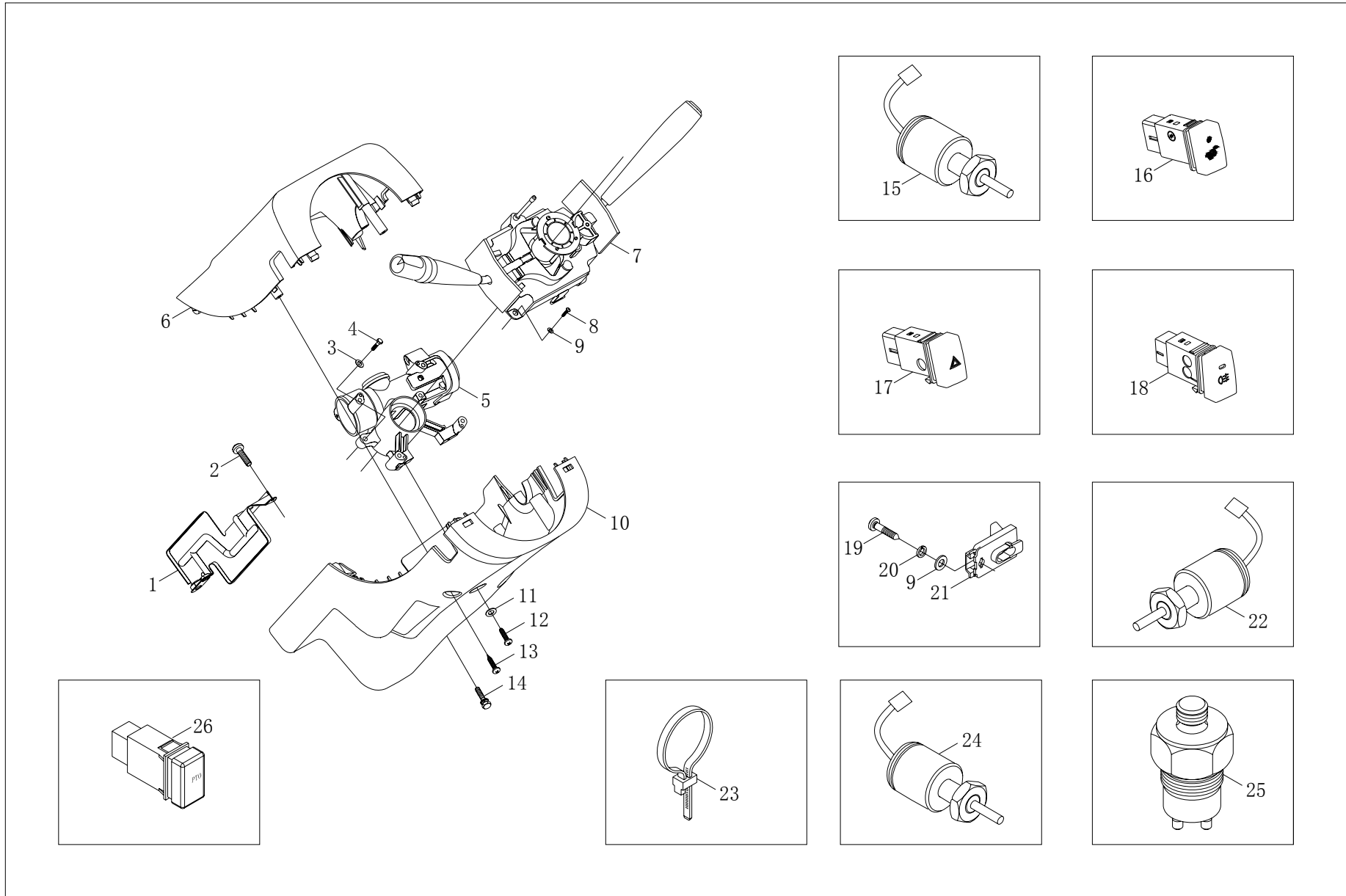
1S10693623001、1S10693623049 底盘线束 Chassis harness

序号 No.	零件代号 Part No.	零件名称及规格.	Part Name and Specification	适用车型及用量 (件) Applied Models and Quantity (Piece)					
				用量 Qty.	车型 Models	用量 Qty.	车型 Model	用量 Qty.	车型 Model
	1S10693623001	底盘线束	Chassis harness	1	1069VCJEA-0ADA23 1069VCJEA-0ADA25		1069VCJEA-0ADA24 1069VCJEA-0ADA26 1069VCJEA-0ADA28 1069VCJEA-0ADA30		
	1S10693623049	底盘线束	Chassis harness			1			
1	Q1460625	六角头螺栓、弹簧垫圈 和平垫圈组合件	Hex head bolt, spring washer and flat washer assembly	11		11			
2	1104936230013	底盘线束固定支架 1	Fixed bracket 1 for chassis harness	1		1			
3	Q340B06	1 型六角螺母	Hexagon nut, type-1	9		9			
4	1104936230035	底盘线束固定支架 4	Fixed bracket 4 for chassis harness	1		1			
5	Q67407150	塑料紧箍带	Plastic band	20		20			
6	L0362080032A0	固定扎带总成	Fixed band assy	3		3			
7	1102936200061	线卡子 1	Cable clip 1	50		50			
8	Q68618F4	单管夹片	Single-pipe clip	2		1			
9	1104936230044	底盘保险丝盒盖	Lid of chassis fuse unit	1		1			
10	1104936230030	底盘保险丝盒	Chassis fuse unit	1		1			
11	1104336230051	底盘保险丝盒支架	Bracket for chassis fuse unit	1		1			
12	Q150B0825	六角头螺栓	Hex head bolt	4		2			
13	Q40108	平垫圈	Flat washer	6		6			
14	Q40308	弹簧垫圈	Spring washer	6		6			
15	Q340B08	1 型六角螺母	Hexagon nut, type-1	6		6			
16	Q2140416	十字槽盘头螺钉	Cross recessed pan head screw	1		1			
17	Q40104	平垫圈	Flat washer	1	1				
18	Q40304	弹簧垫圈	Spring washer	1	1				

1S10693623001、1S10693623049 底盘线束 Chassis harness

序号 No.	零件代号 Part No.	零件名称及规格.	Part Name and Specification	适用车型及用量 (件) Applied Models and Quantity (Piece)					
				用量 Qty.	车型 Models	用量 Qty.	车型 Model	用量 Qty.	车型 Model
19	Q340B04	1 型六角螺母	Hexagon nut, type-1	1	1069VCJEA-0ADA23 1069VCJEA-0ADA25	1	1069VCJEA-0ADA24 1069VCJEA-0ADA26 1069VCJEA-0ADA28 1069VCJEA-0ADA30		
20	1104936230017	发动机搭铁线	Ground wire for engine	1		1			
21	1104936230032	线卡子 2	Cable clip 2	1		1			
22	1104336230019	蓄电池正极线	Positive wire for accumulator	1		1			
23	1104936230046	穿线护套	Wire-threading sleeve	7		7			
24	1104336230066	正负极连接线	Positive and negative cable	1		1			
25	1102236200090	电瓶至车架搭铁线	Ground wire, from battery to frame	1		1			
26	Q150B1030	六角头螺栓	Hex head bolt	2		2			
27	Q40310	弹簧垫圈	Spring washer	2		2			
28	Q40110	平垫圈	Flat washer	2		2			
29	Q41210	外锯齿锁紧垫圈	External serrated lock washer	2		2			
30	Q340B10	1 型六角螺母	Hexagon nut, type-1	2		2			
31	1104936230022	底盘线束固定支架 7	Chassis harness bracket 7	1		1			
32	1106936230022	底盘线束总成	Chassis wiring harness assembly	1					
32	1106936230052	底盘线束总成	Chassis wiring harness assembly			1			
33	1104936230038	底盘线束固定支架总成	Fixed bracket assy for chassis wiring harness	2		2			
34	1104936230021	底盘线束固定支架 5	Fixed bracket 5 for chassis harness			4			
35	Q41206	外锯齿锁紧垫圈	External teeth serrated lock washer	2		2			
36	1104936230039	底盘线束固定支架 6	Fixed bracket 6 for chassis harness	1		1			
37	1106936230025	后尾灯线束总成	Rear taillamp harness assy	1	1				

1SB2003740103、1SB2003740150 车身线束 Body harness



1SB2003740103、1SB2003740150 车身线束 Body harness

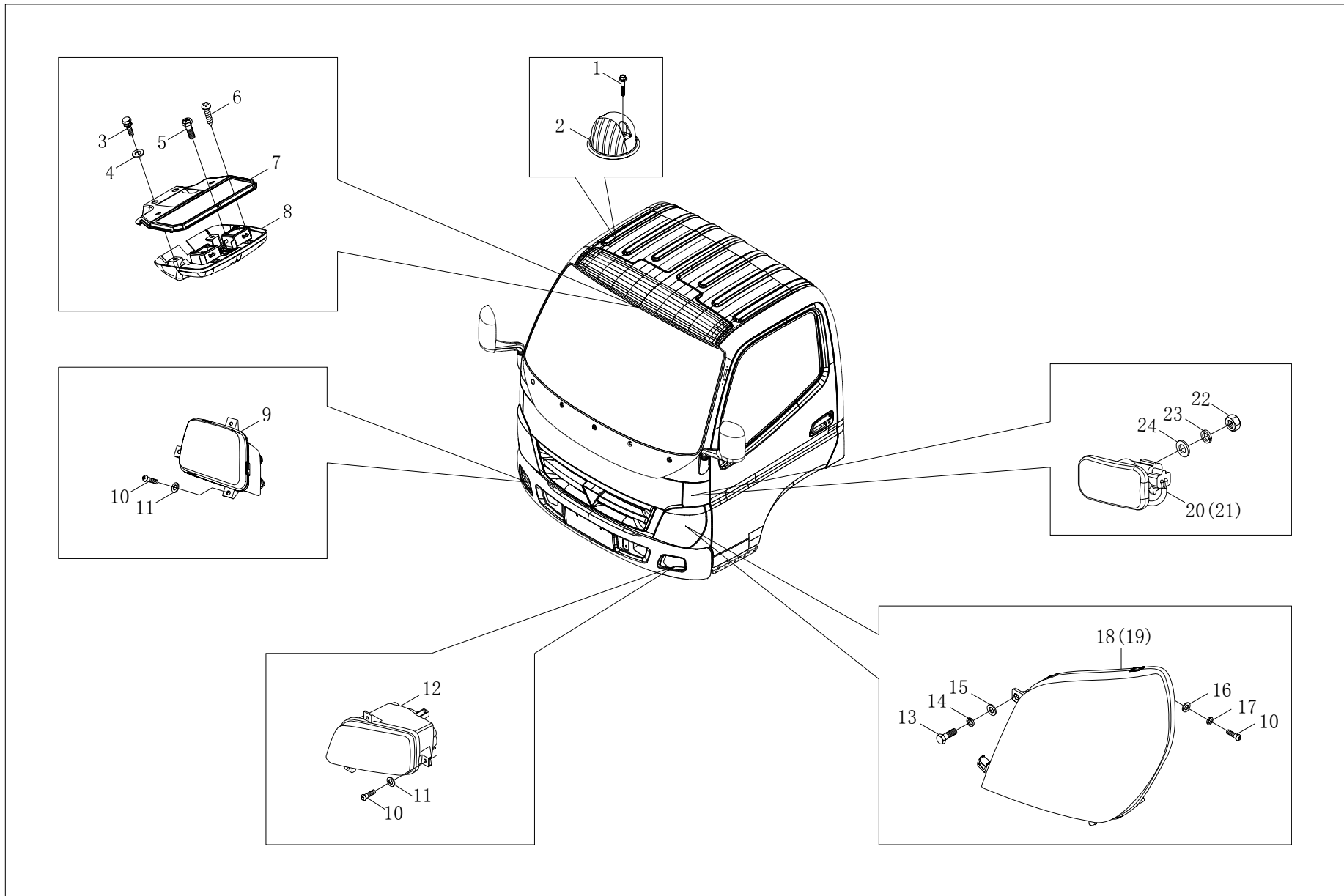
序号 No.	零件代号 Part No.	零件名称及规格.	Part Name and Specification	适用车型及用量 (件) Applied Models and Quantity (Piece)					
				用量 Qty.	车型 Models	用量 Qty.	车型 Model	用量 Qty.	车型 Model
	1SB2003740103	车身线束	Body harness	1					
	1SB2003740150	车身线束	Body harness						
1	1B20037400010	车身线束总成	Body wire harness assy	1					
1	1B20037400073	车身线束总成	Body wire harness assy			1			
2	Q67405300	塑料紧箍带	Plastic band	5		5			
3	1104936230032	线卡子 2	Cable clip 2	1		1			
4	Q340B06	1 型六角螺母	Hexagon nut, type-1	3		3			
5	Q40106	平垫圈	Flat washer	3		3			
6	Q41206	外锯齿锁紧垫圈	External teeth serrated lock washer	2		2			
7	1B18037400021	车身搭铁线	Ground wire for vehicle body	1		1	1069VCJEA-0ADA24		
8	Q1460816	六角头螺栓、弹簧垫圈和平垫组合件	Hexagon head bolt, spring washer and flat washer assembly part	3	1069VCJEA-0ADA23 1069VCJEA-0ADA25	3	1069VCJEA-0ADA26 1069VCJEA-0ADA28 1069VCJEA-0ADA30		
9	Q41208	外锯齿锁紧垫圈	External teeth serrated lock washer	3		3			
10	1104936230035	底盘线束固定支架 4	Chassis harness bracket 4	1		1			
11	Q1460625	六角头螺栓、弹簧垫圈和平垫圈组合件	Hex head bolt, spring washer and flat washer assembly	2		2			
12	1B18037400048	塑料卡环	Plastic clip	2		2			
13	1B18037400047	线束固定支架	Harness fixed bracket	1		1			
14	Q1460825	六角头螺栓、弹簧垫圈和平垫组合件	Hexagon head bolt, spring washer and flat washer assembly part	2		2			
15	1B18037400006	左地板线束安装总成	Left floor harness installation assy	1		1			
16	1B18037400008	右地板线束安装总成	Right floor harness installation assy	1		1			
17	1B20037400015	左前门线束总成	Front left door harness assy	1		1			

1SB2003740103、1SB2003740150 车身线束 Body harness

序号 No.	零件代号 Part No.	零件名称及规格. Part Name and Specification	适用车型及用量 (件) Applied Models and Quantity (Piece)								
			用量 Qty.	车型 Models	用量 Qty.	车型 Model	用量 Qty.	车型 Model			
18	1B20037400016	右前门线束总成	Front right door harness assy	1	1069VCJEA-0ADA23 1069VCJEA-0ADA25	1	1069VCJEA-0ADA24 1069VCJEA-0ADA26 1069VCJEA-0ADA28 1069VCJEA-0ADA30				
19	1B20037400014	顶棚线束总成	Roof harness assy	1		1					



1SB2003710101 24V 单排奥铃前围灯具 24V single row front wall lamps of OLLIN



1SB2003710101 24V 单排奥铃前围灯具 24V single row front wall lamps of OLLIN

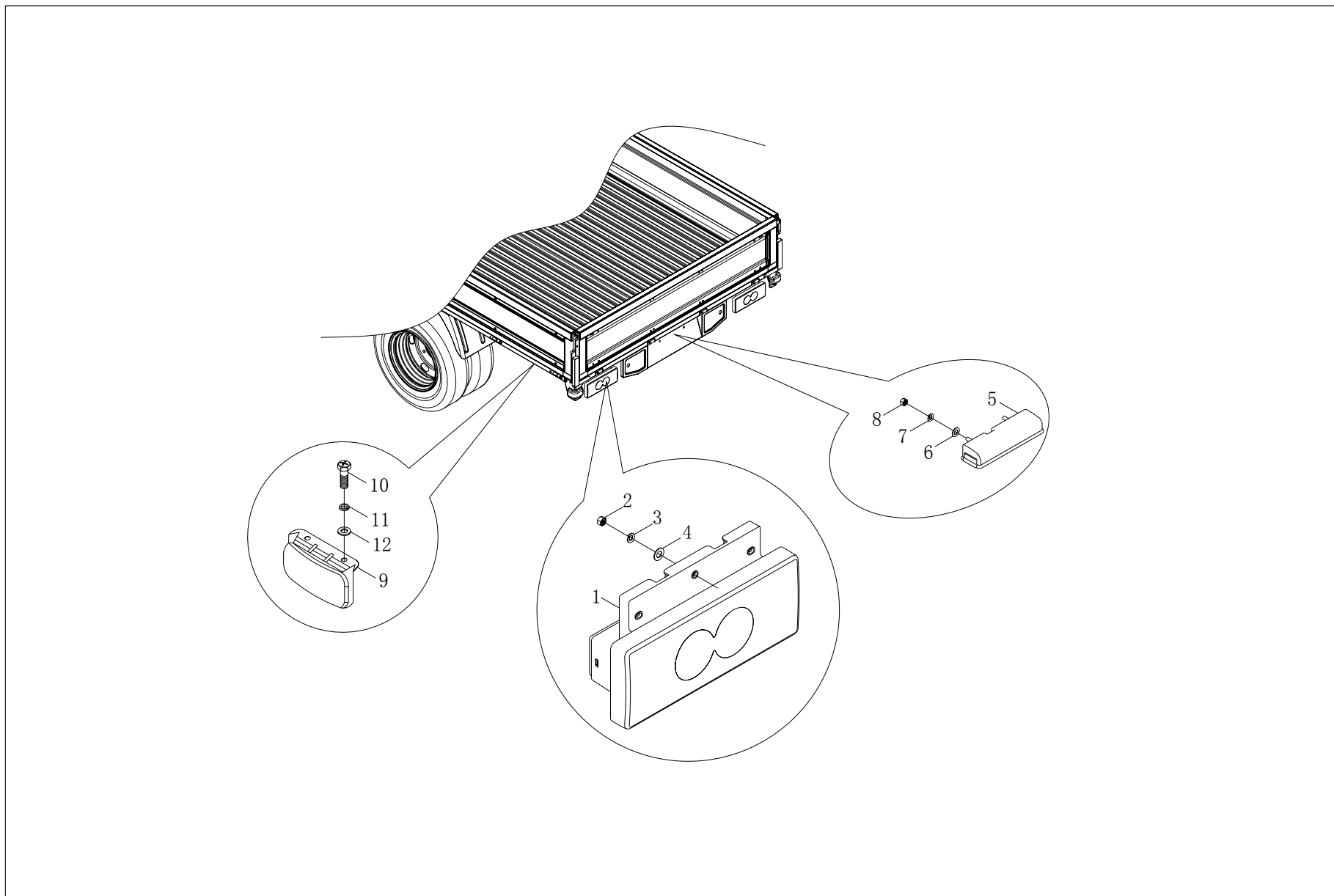
序号 No.	零件代号 Part No.	零件名称及规格.	Part Name and Specification	适用车型及用量 (件) Applied Models and Quantity (Piece)						
				用量 Qty.	车型 Models	用量 Qty.	车型 Model	用量 Qty.	车型 Model	
	1SB2003710101	24V 单排 奥铃前围灯具	24V single row front wall lamps of OLLIN	1						
1	Q1840625T30	六角法兰面螺栓	Hex flange bolt	4						
2	1B24937100005	示廓灯	Clearance lamp	2						
3	Q1460616	六角头螺栓、弹簧 垫圈和平垫圈组合件	Hex head bolt, spring washer and flat washer assy.	2						
4	Q40206F30	大垫圈	Big washer	2						
5	Q2714816F30	十字槽盘 头自攻螺钉	Cross recessed pan head tapping screw	2						
6	Q2714832	十字槽盘 头自攻螺钉	Cross recessed pan head tapping screw	2						
7	1B18037100026	前顶灯安装支架	Front roof lamp installation bracket	1						
8	1B18037100025	24V 前顶灯总成 (灰色)	24V front roof lamp assy (grey)	1	1069VCJEA-0ADA23					
9	1B18037100034	24V 奥铃右前雾灯总成	24V front fog lamp assy of OLLIN(right)	1	1069VCJEA-0ADA24					
10	Q174B0616	十字槽盘头六角螺钉	Cross recessed pan hex screw	8	1069VCJEA-0ADA25					
11	Q40106	平垫圈	Flat washer	6	1069VCJEA-0ADA26					
12	1B18037100033	24V 奥铃左前雾灯总成	24V front fog lamp assy of OLLIN(left)	1	1069VCJEA-0ADA28					
13	Q174B0820	螺栓	Bolt	6	1069VCJEA-0ADA30					
14	Q40308	弹簧垫圈	Spring washer	6						
15	Q40208	大垫圈	Big washer	6						
16	Q40206	大垫圈	Big washer	2						
17	Q40306	弹簧垫圈	Spring washer	8						
18	1B18037150013	左前照灯总成	Left headlamp assembly	1						
19	1B18037150014	右前照灯总成	Right headlamp assembly	1						

1SB2003710101 24V 单排奥铃前围灯具 24V single row front wall lamps of OLLIN

序号 No.	零件代号 Part No.	零件名称及规格. Part Name and Specification	适用车型及用量 (件) Applied Models and Quantity (Piece)						
			用量 Qty.	车型 Models	用量 Qty.	车型 Model	用量 Qty.	车型 Model	
20	1B20037100006	24V 左侧转向灯	24V side turning lamp(left)	1					
21	1B20037100008	24V 右侧转向灯	24V side turning lamp(right)	1					
22	Q340B05	1 型六角螺母	Hexagon nut, type-1	4					
23	Q40305F30	弹簧垫圈	Spring washer	4					
24	Q40105F30	平垫圈	Flat washer	4					
					1069VCJEA-0ADA23				
					1069VCJEA-0ADA24				
					1069VCJEA-0ADA25				
					1069VCJEA-0ADA26				
					1069VCJEA-0ADA28				
					1069VCJEA-0ADA30				



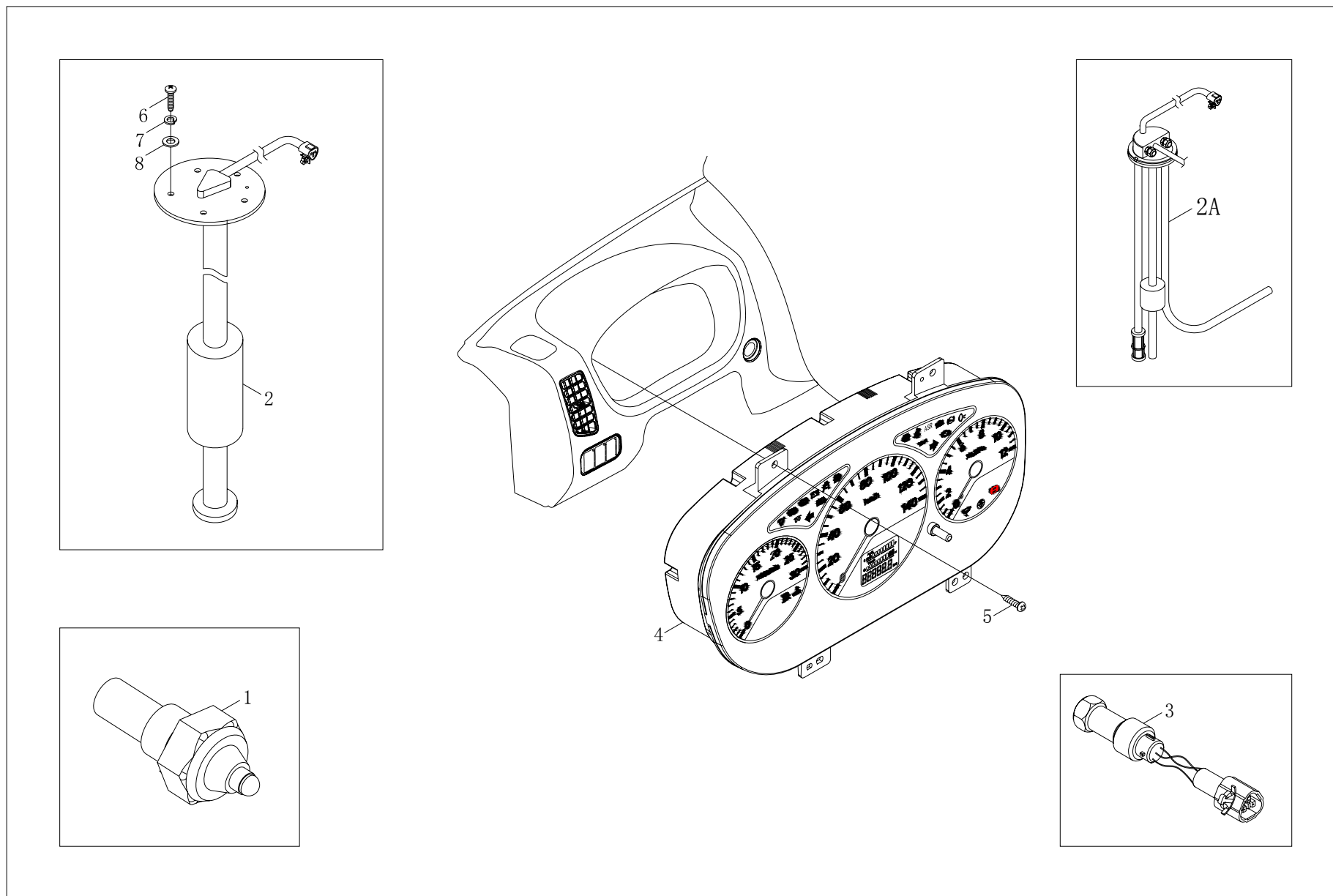
1SB2003720101 24V 后围灯具 24V Rear wall lamps



1SB2003720101 24V 后围灯具 24V Rear wall lamps

序号 No.	零件代号 Part No.	零件名称及规格.	Part Name and Specification	适用车型及用量 (件) Applied Models and Quantity (Piece)					
				用量 Qty.	车型 Models	用量 Qty.	车型 Model	用量 Qty.	车型 Model
	1SB2003720101	24V 后围灯具	24V Rear wall lamps						
	1B18037200005	24V 后围灯具安装总成	24V Rear wall lamp installation assy	1					
1	1B18037200011	24V 左后组合灯总成	24V R.L. combinatory lamp	1					
	1B18037200013	24V 右后组合灯总成	24V R.R. combinatory lamp	1					
2	Q340B06	1 型六角螺母	Hexagon nut, type-1	6					
3	Q40306	弹簧垫圈	Spring washer	6					
4	Q40106	平垫圈	Flat washer	6					
	1B18037200006	24V 牌照灯安装总成	24V License plate lamp installation assy	1					
5	1B18037200015	24V 牌照灯	24V License plate lamp	1	1069VCJEA-0ADA23 1069VCJEA-0ADA24 1069VCJEA-0ADA25 1069VCJEA-0ADA26 1069VCJEA-0ADA28 1069VCJEA-0ADA30				
6	Q340B05	1 型六角螺母	Hexagon nut, type-1	2					
7	Q40305	弹簧垫圈	Spring washer	2					
8	Q40205	大垫圈	Big washer	2					
	1B20037200011	侧标志灯安装总成	Side marker lamp installation assy	1					
9	1B20037200012	24V 左侧标志灯	24V marker lamp (left)	2					
	1B20037200013	24V 右侧标志灯	24V marker lamp (right)	2					
10	Q174B0516	六角头头部带十字槽螺栓	Hexagon head with cross recessed bolt	8					
11	Q40305	弹簧垫圈	Spring washer	8					
12	Q40105	平垫圈	Flat washer	8					

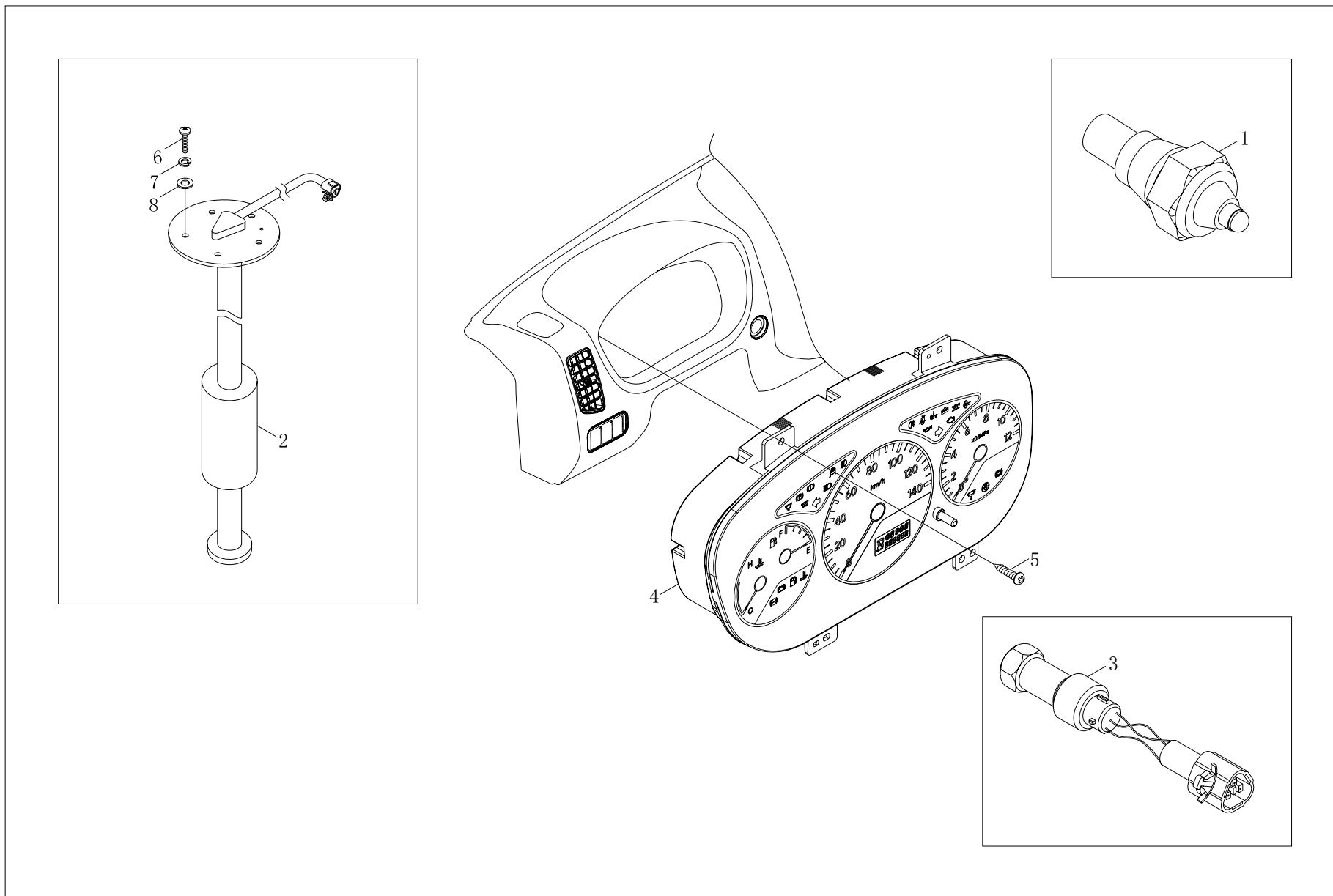
1SB2003760132、1SB2003760177 仪表装置 Instrumentation



1SB2003760132、1SB2003760177 仪表装置 Instrumentation

序号 No.	零件代号 Part No.	零件名称及规格.	Part Name and Specification	适用车型及用量 (件) Applied Models and Quantity (Piece)					
				用量 Qty.	车型 Models	用量 Qty.	车型 Model	用量 Qty.	车型 Model
	1SB2003760132	仪表装置	Instrumentation	1					
	1SB2003760177	仪表装置	Instrumentation			1			
1	L0376040002A0	水温传感器	Water temperature sensor	1		1			
2	1B20037600041	燃油传感器总成	Fuel sensor assembly	1					
2A	1B20037600024	燃油传感器总成	Fuel sensor assembly			1			
3	1B18037600027	车速里程表传感器	Speed odometer sensor	1		1			
4	1B20037600039	组合仪表总成	Combination instrument assy	1		1			
5	Q2204813	十字槽盘 头自攻螺钉	Cross recessed pan head tapping screw	4		4			
6	Q2140512	十字槽盘头螺钉	Cross recessed pan head screw	5					
7	Q40305	弹簧垫圈	Spring washer	5	1069VCJEA-0ADA24 1069VCJEA-0ADA26		1069VCJEA-0ADA28 1069VCJEA-0ADA30		
8	Q40105	平垫圈	Flat washer	5					

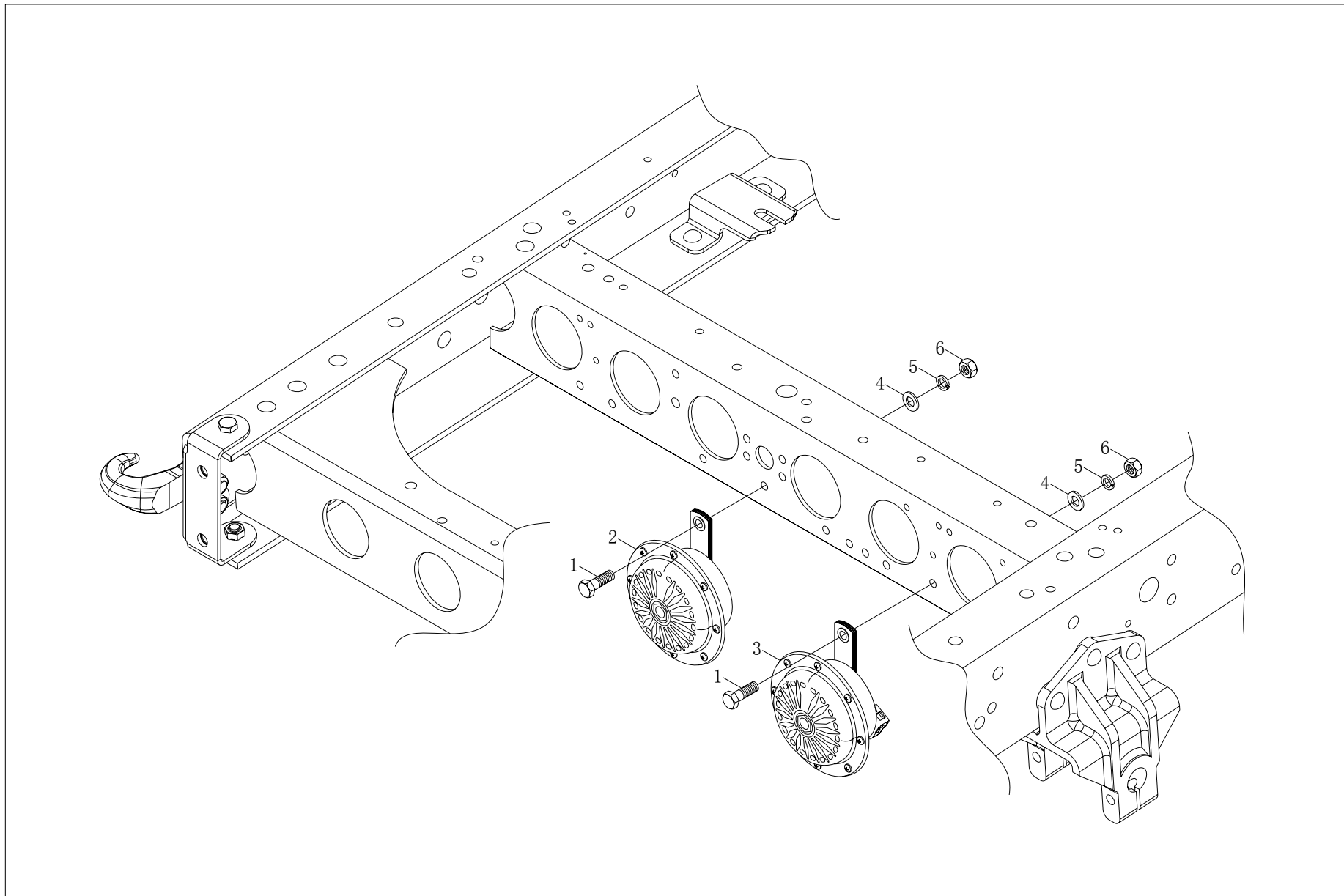
1SB2003760103 仪表装置 Instrumentation



1SB2003760103 仪表装置 Instrumentation

序号 No.	零件代号 Part No.	零件名称及规格. Part Name and Specification	适用车型及用量 (件) Applied Models and Quantity (Piece)						
			用量 Qty.	车型 Models	用量 Qty.	车型 Model	用量 Qty.	车型 Model	
	1SB2003760103	仪表装置	Instrumentation	1					
1	L0376040002A0	水温传感器	Water temperature sensor	1					
2	1B20037600041	燃油传感器总成	Fuel sensor assembly	1					
3	1B18037600031	车速里程表传感器 安装总成	Sensor installation assy of speedometer	1					
4	1B20037600002	组合仪表总成	Combination instrument assy	1					
5	Q2204813	十字槽盘头自攻螺钉	Cross recessed pan head tapping screw	4					
6	Q2140512	螺钉	Screw	5					
7	Q40305	弹簧垫圈	Spring washer	5					
8	Q40105	平垫圈	Flat washer	5					
					1069VCJEA-0ADA23				
					1069VCJEA-0ADA25				

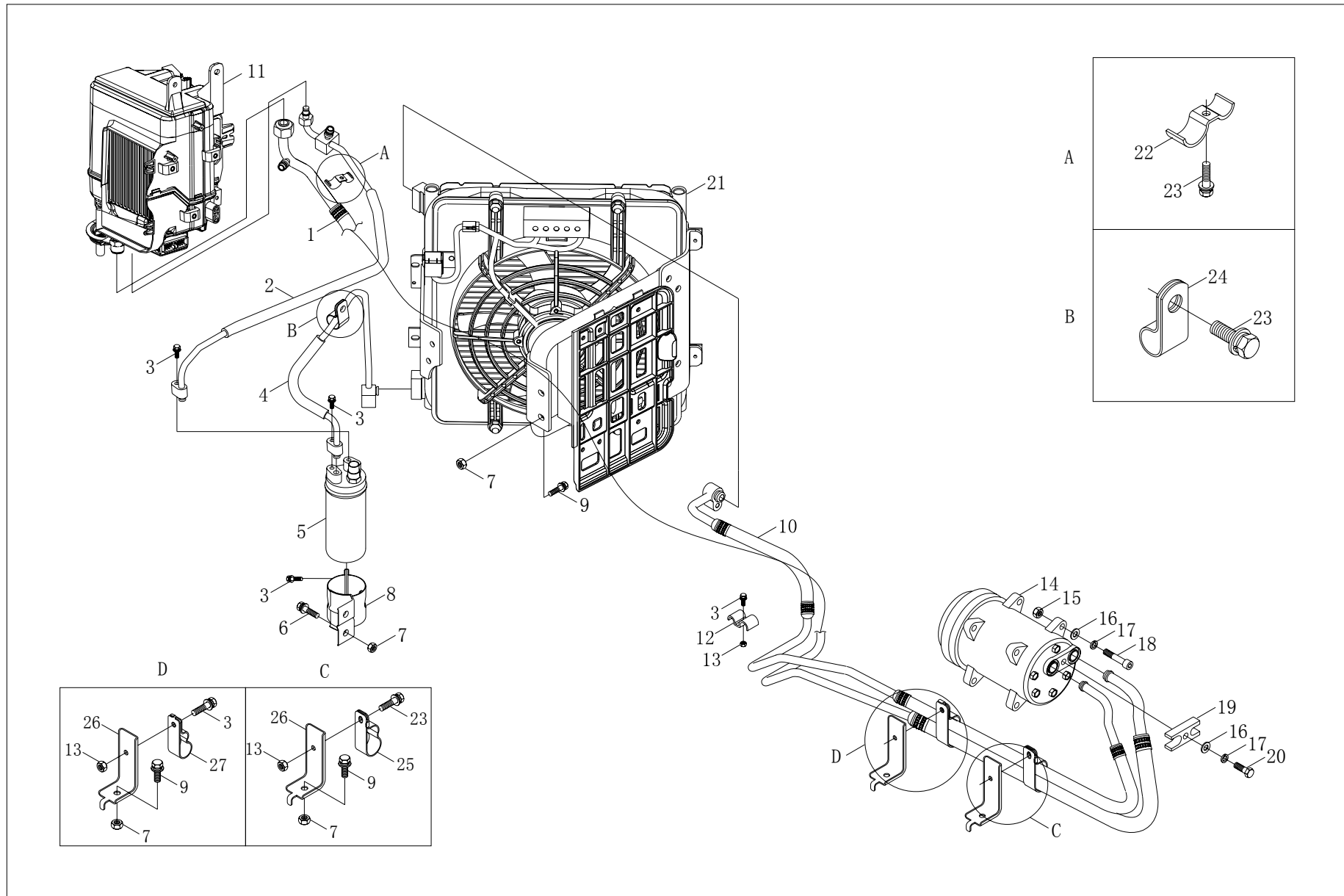
1S10693673001 信号装置 Signal device



1S10693673001 信号装置 Signal device

序号 No.	零件代号 Part No.	零件名称及规格.	Part Name and Specification	适用车型及用量 (件) Applied Models and Quantity (Piece)					
				用量 Qty.	车型 Models	用量 Qty.	车型 Model	用量 Qty.	车型 Model
	1S10693673001	信号装置	Signal device	1	1069VCJEA-0ADA23 1069VCJEA-0ADA24 1069VCJEA-0ADA25 1069VCJEA-0ADA26 1069VCJEA-0ADA28 1069VCJEA-0ADA30				
1	Q150B0825	六角头螺栓	Hex head bolt	2					
2	1124136700001	高音喇叭	High-tone horn	1					
3	1124136700002	低音喇叭	Low-tone horn	1					
4	Q40108	平垫圈	Flat washer	2					
5	Q40308	弹簧垫圈	Spring washer	2					
6	Q340B08	1 型六角螺母	Hexagon nut, type-1	2					

1SB2008120130 冷气装置 Cooler



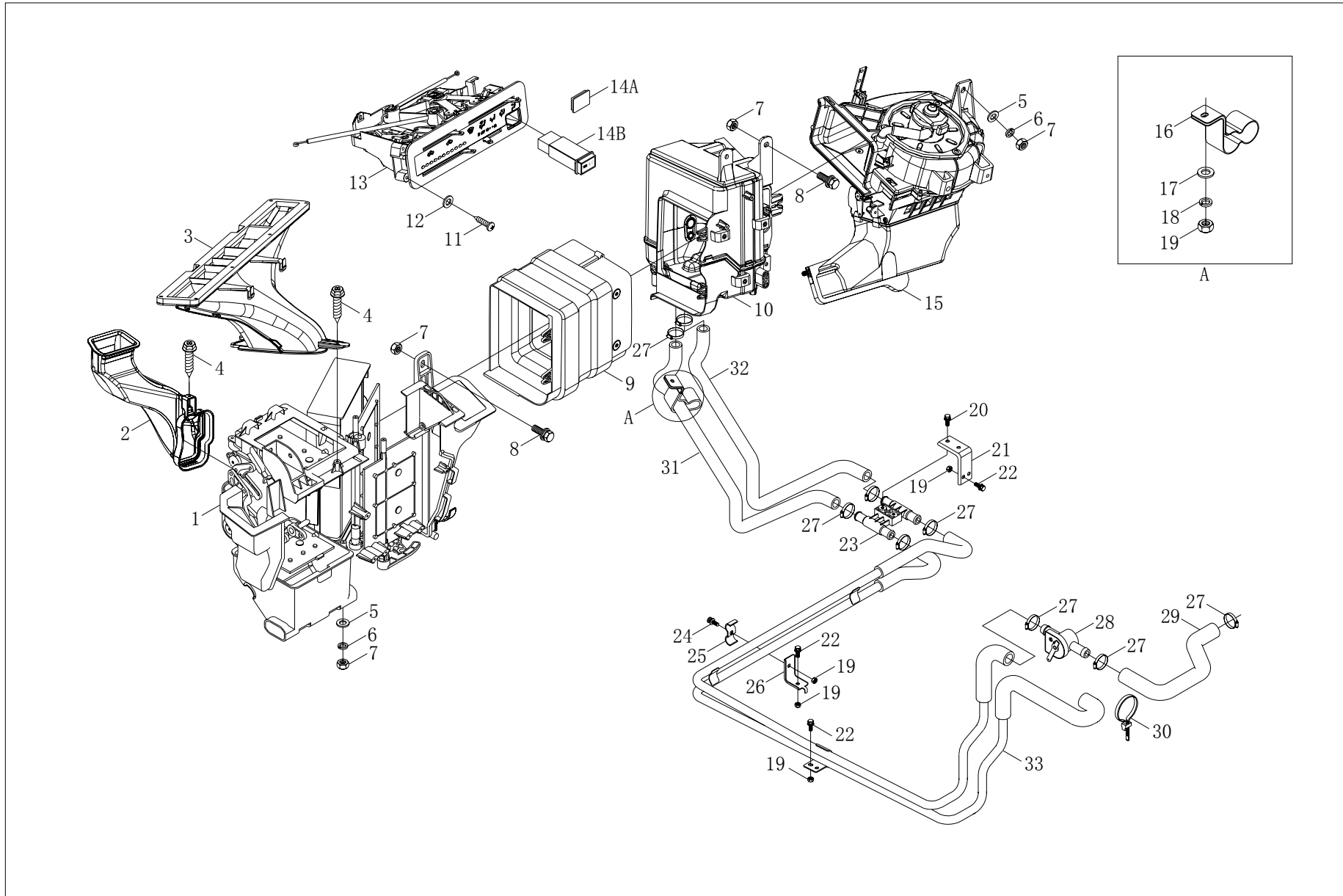
1SB2008120130 冷气装置 Cooler

序号 No.	零件代号 Part No.	零件名称及规格.	Part Name and Specification	适用车型及用量 (件) Applied Models and Quantity (Piece)					
				用量 Qty.	车型 Models	用量 Qty.	车型 Model	用量 Qty.	车型 Model
	1SB2008120130	冷气装置	Cooler						
1	1B20081200102	蒸-压管路	Pipe, from evaporator to compressor	1					
2	1B20081200101	储-蒸管路总成	Pipe assy, from reservoir to evaporator	1					
3	Q1460625	六角头螺栓、弹簧 垫圈和平垫圈组合件	Hex head bolt, spring washer and flat washer assy.	5					
4	1B20081200120	冷-储管路总成	Pipe assy, from condenser to reservoir	1					
5	1B18081200177	储液器总成	Reservoir assy	1					
6	Q1460825	六角头螺栓、弹簧 垫圈和平垫组合件	Hexagon head bolt, spring washer and flat washer assembly part	7					
7	Q340B08	1 型六角螺母	Hexagon nut, type-1	7					
8	1B20081200112	储液器固定支架	Reservoir fixed bracket	1					
9	Q10460825	六角头螺栓、弹簧 垫圈和平垫组合件	Hexagon head bolt, spring washer and flat washer assembly part	2	1069VCJEA-0ADA25 1069VCJEA-0ADA26 1069VCJEA-0ADA30				
10	1B20081200100	压-冷管路	Pipe, from compressor to condenser	1					
11	1B18081200020	24V 单排蒸发器总成	24V single-row evaporator assy	1					
12	1B20081200109	空调管夹	Hose clamp for air conditioner	1					
13	Q340B06	1 型六角螺母	Hexagon nut, type-1	4					
14	1B18081200131	压缩机总成	Compressor assy	1					
15	Q340B10	1 型六角螺母	Hexagon nut, type-1	4					
16	Q40110	平垫圈	Flat washer	5					
17	Q40310	弹簧垫圈	Spring washer	5					
18	Q218B1055	内六角圆柱头螺钉	Hex socket cap head screw	4					
19	1B24981204150	压板	Pressure plate	1					

1SB2008120130 冷气装置 Cooler

序号 No.	零件代号 Part No.	零件名称及规格.	Part Name and Specification	适用车型及用量 (件) Applied Models and Quantity (Piece)					
				用量 Qty.	车型 Models	用量 Qty.	车型 Model	用量 Qty.	车型 Model
20	Q151C1035	六角头螺栓-细牙	Hexagon head bolt - fine thread	1					
21	1B20081200023	冷凝器总成	Condenser assy	1					
22	1B18081200036	管夹 1	Clamp 1	1					
23	Q1460620	六角头螺栓、弹簧垫圈和平垫组合件	Hexagon head bolt, spring washer and flat washer assembly part	3					
24	Q68610F4	单管夹片	Single-pipe clip	1					
25	1B20081200111	空调软管夹	Hose clamp for air conditioner	1					
26	L0812070107A0	p135 空调软管支架	p135 hose bracket for air conditioner	2					
27	1B18081200058	空调管夹	Hose clamp for air conditioner	1					
					1069VCJEA-0ADA25				
					1069VCJEA-0ADA26				
					1069VCJEA-0ADA30				

1SB2008110186、1SB2008110187 暖气装置 Heating apparatus



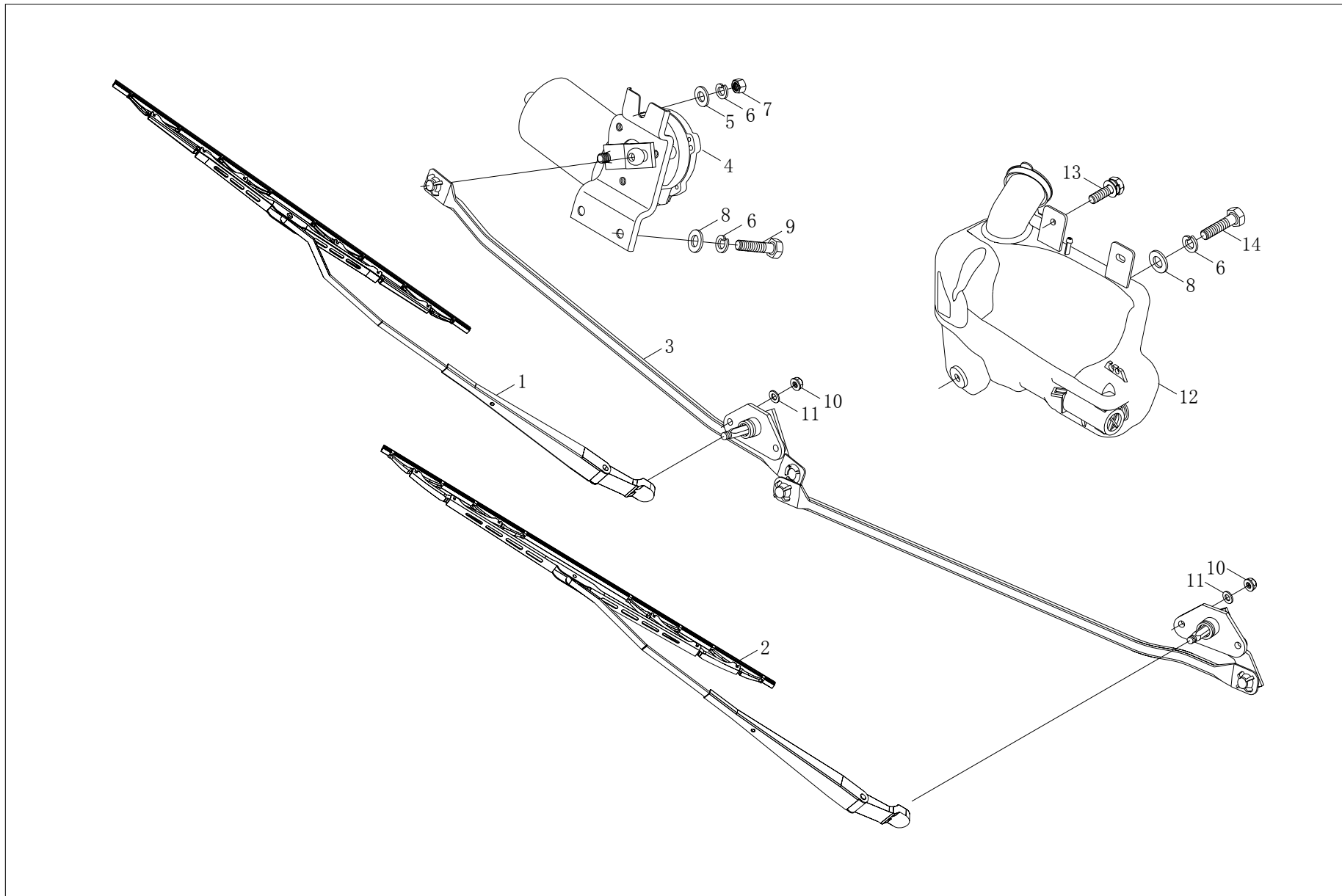
1SB2008110186、1SB2008110187 暖气装置 Heating apparatus

序号 No.	零件代号 Part No.	零件名称及规格.	Part Name and Specification	适用车型及用量 (件) Applied Models and Quantity (Piece)					
				用量 Qty.	车型 Models	用量 Qty.	车型 Model	用量 Qty.	车型 Model
	1SB2008110186	暖气装置	Heating apparatus	1					
	1SB2008110187	暖气装置	Heating apparatus			1			
1	1B18081100216	暖风箱总成	Heater box assy	1		1			
2	1B18081100051	暖风箱左侧出风管	Left air outlet pipe for heater box	1		1			
3	1B20081100014	除霜风管	Defrosting air duct	1		1			
4	Q2704213	六角法兰面自攻螺钉	Hexagon flange self-tapping screws	2		2			
5	Q40108	平垫圈	Flat washer	6		5			
6	Q40308	弹簧垫圈	Spring washer	6		5			
7	Q360B08	2型六角螺母	Hex nut, type-2	8		7			
8	Q1460825	六角头螺栓、弹簧垫圈和平垫组合件	Hexagon head bolt, spring washer and flat washer assembly part	2	1069VCJEA-0ADA23 1069VCJEA-0ADA24 1069VCJEA-0ADA28		1069VCJEA-0ADA25 1069VCJEA-0ADA26 1069VCJEA-0ADA30		
9	1B20081100043	过渡风道	Transition air passage	1		1			
10	1B18081100043	过渡风道	Transition air passage	1					
11	Q2714216	十字槽盘头自攻螺钉-C型	Cross recessed pan head tapping screws -C type	8		5			
12	Q40105	平垫圈	Flat washer	3		3			
13	1B20081100218	24V 操纵机构总成	24V control mechanism assy	1		1			
14A	1B18081100018	AC 开关堵盖	AC Switch plug	1					
14B	1B18081100177	AC 开关	AC switch			1			
15	1B18081100011	24V 鼓风机总成	24V Air blower assy	1		1			
16	1B18081100033	暖风管夹 1	Warm air pipe clip 1	1		1			
17	Q40106	平垫圈	Flat washer	1		1			

1SB2008110186、1SB2008110187 暖气装置 Heating apparatus

序号 No.	零件代号 Part No.	零件名称及规格.	Part Name and Specification	适用车型及用量 (件) Applied Models and Quantity (Piece)							
				用量 Qty.	车型 Models	用量 Qty.	车型 Model	用量 Qty.	车型 Model		
18	Q40306	弹簧垫圈	Spring washer	1	1069VCJEA-0ADA23 1069VCJEA-0ADA24 1069VCJEA-0ADA28	1	1069VCJEA-0ADA25 1069VCJEA-0ADA26 1069VCJEA-0ADA30				
19	Q340B06	1 型六角螺母	Hexagon nut, type-1	5		7					
20	Q1460620	六角头螺栓、弹簧垫圈和平垫组合件	Hexagon head bolt, spring washer and flat washer assembly part	2							
21	1B20081100106	暖风放水阀支架	Heater water drain valve bracket	1		1					
22	Q1460625	六角头螺栓、弹簧垫圈和平垫组合件	Hexagon head bolt, spring washer and flat washer assembly part	3		5					
23	L0811080002A0	暖风水阀总成	Heater water valve assy	1		1					
24	Q2360620	十字槽盘头螺钉、弹垫和平垫组合件	Cross recessed pan head screw, spring cushion & flat washer assy	1		1					
25	1B18081100126	暖风管夹	Heater water pipe clamp	1		1					
26	1B20081100109	暖风支架	Heater water pipe bracket	1		1					
27	Q67627	B 型蜗杆传动式软管环箍	Worm transmission hose hoop, type B	10							
	Q67527	A 型蜗杆传动式软管环箍	Worm transmission hose hoop, type A			10					
28	1B18081100101	暖水阀总成	Water drain valve assembly	1		1					
29	1B20081100110	P135 暖风水管 1	P135 heater pipe 1	1		1					
30	Q67407200	塑料紧固带	Plastic fixing straps	1							
31	1B20081100100	暖风水管	Heater pipe	1		1					
32	1B20081100101	暖风水管	Heater pipe	1		1					
33	1B20081100107	P135 暖风水管 2	P135 heater pipe 2	1		1					

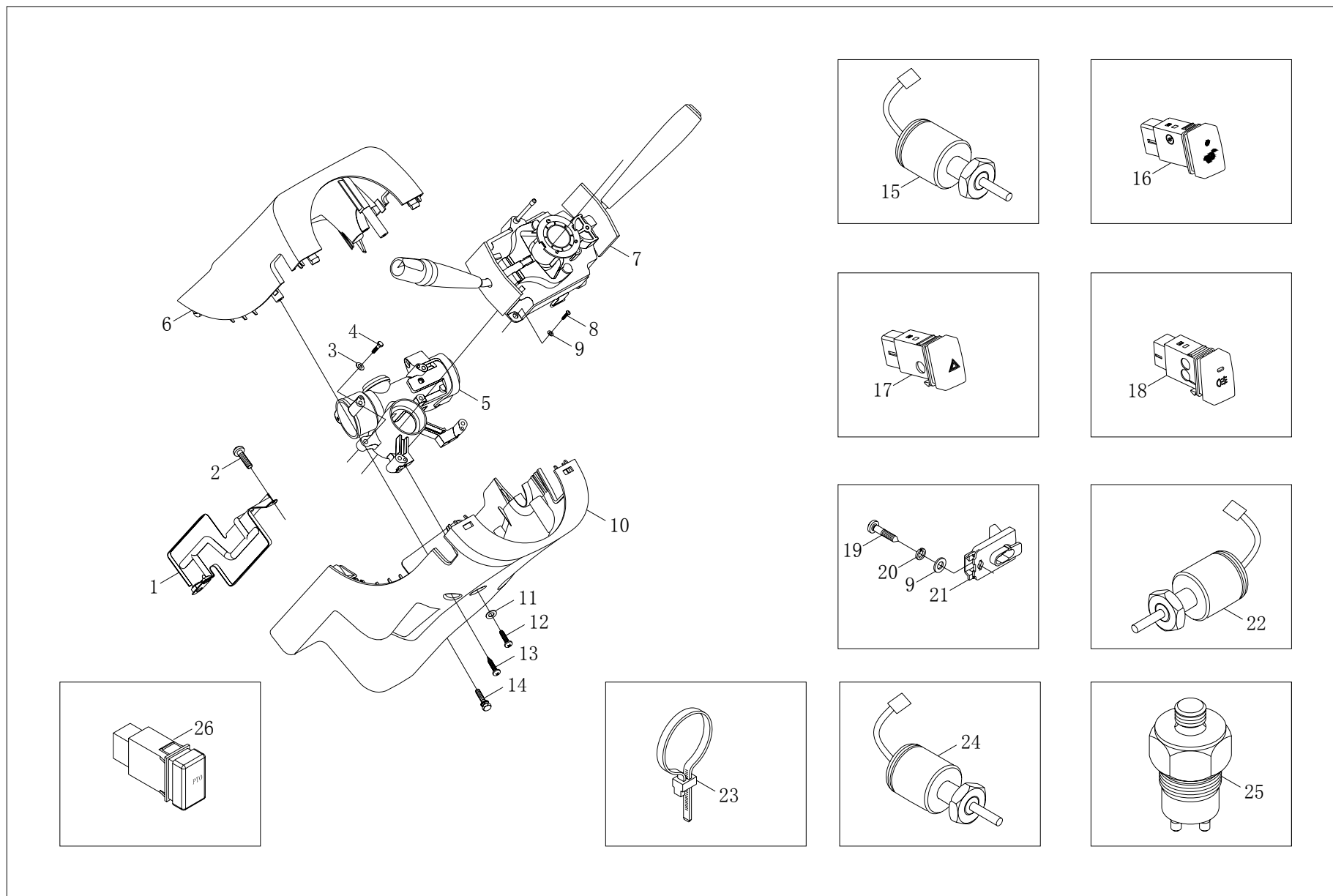
1SB2005250101 刮水器及洗滌器 Wiper and scrubber



1SB2005250101 刮水器及洗涤器 Wiper and scrubber

序号 No.	零件代号 Part No.	零件名称及规格.	Part Name and Specification	适用车型及用量 (件) Applied Models and Quantity (Piece)					
				用量 Qty.	车型 Models	用量 Qty.	车型 Model	用量 Qty.	车型 Model
	1SB2005250101	刮水器及洗涤器	Wiper and scrubber						
1	1B20052500214	右刮臂刮片总成	Blade assy for right wiper arm	1					
2	1B20052500213	左刮臂刮片总成	Blade assy for left wiper arm	1					
3	1B20052500212	连动机构	Revolved mechanism	1					
4	1B20052500211	刮水电机总成	Wiper motor assy	1					
5	Q40208	大垫圈	Big washer	1					
6	Q40308	弹簧垫圈	Spring washer	4					
7	Q340B08	1 型六角螺母	Hexagon nut, type-1	1					
8	Q40108	平垫圈	Flat washer	3					
9	Q150B0816	六角头螺栓	Hex head bolt	2	1069VCJEA-0ADA23				
					1069VCJEA-0ADA24				
					1069VCJEA-0ADA25				
10	Q33006	全金属六角法兰面 锁紧螺母	Prevailing torque type all-metal hex nut with flange	4	1069VCJEA-0ADA26				
					1069VCJEA-0ADA28				
11	Q40206	大垫圈	Big washer	2	1069VCJEA-0ADA30				
12	1B18052500316	洗涤壶总成	Windshield washer assy	1					
13	Q1460620	六角头螺栓、弹簧垫圈 和平垫组合件	Hexagon head bolt, spring washer and flat washer assembly part	2					
14	Q150B0825	六角头螺栓	Hex head bolt	1					

1SB2003730105、1SB2003730108 开关 Switch



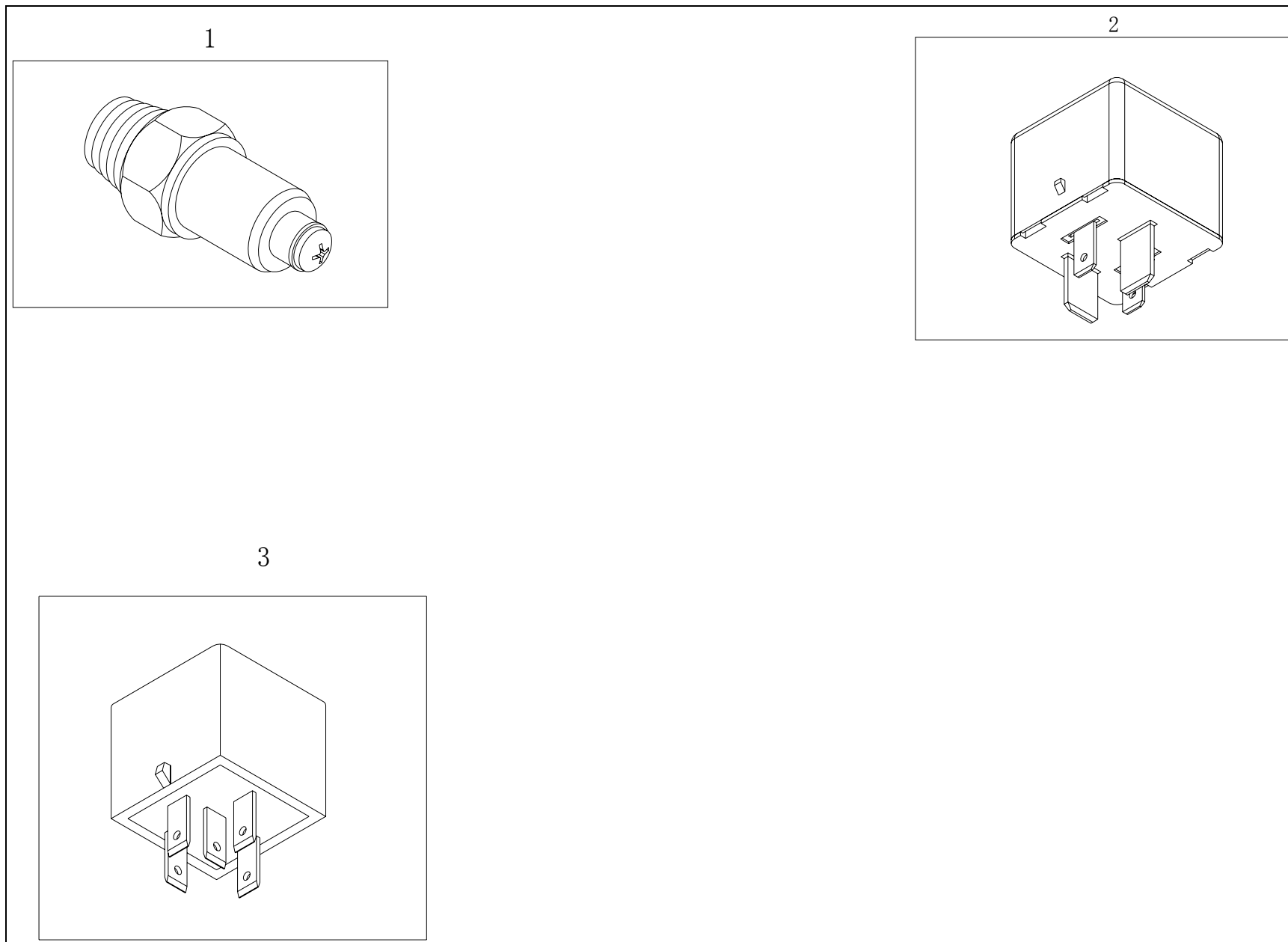
1SB2003730105、1SB2003730108 开关 Switch

序号 No.	零件代号 Part No.	零件名称及规格.	Part Name and Specification	适用车型及用量 (件) Applied Models and Quantity (Piece)					
				用量 Qty.	车型 Models	用量 Qty.	车型 Model	用量 Qty.	车型 Model
	1SB2003730105	开关	Switch	1	1069VCJEA-0ADA23 1069VCJEA-0ADA25		1069VCJEA-0ADA24 1069VCJEA-0ADA26 1069VCJEA-0ADA28 1069VCJEA-0ADA30		
	1SB2003730108	开关	Switch			1			
1	1B18037300052	组合开关线束支架 1	Harness bracket for combination switch 1	1		1			
2	Q2140308	十字槽盘头螺钉	Cross recessed pan head screw	1		1			
3	Q40106	平垫圈	Flat washer	3		3			
4	Q2140625	十字槽盘头螺钉	Cross recessed pan head screw	3		3			
5	1B18037300050	24V 点火开关总成	24V Ignition switch assy	1		1			
6	1B18037300013	可调组合开关上护罩 (灰色)	Adjustable combination switch upper cover (grey)	1		1			
7	1B18037300011	组合开关总成	Combination switch assy	1		1			
8	Q2140516	十字槽盘头螺钉	Cross recessed pan head screw	4		4			
9	Q40105	平垫圈	Flat washer	2		2			
10	1B18037300014	可调组合开关下护罩 (灰色)	Adjustable combination switch lower cover (grey)	1		1			
11	Q40104	平垫圈	Flat washer	2		2			
12	Q2140410	十字槽盘头螺钉	Cross recessed pan head screw	2		2			
13	Q2714216	十字槽盘头自攻螺钉-C型	Cross recessed pan head tapping screws -C type	2		2			
14	Q1460620	六角头螺栓、弹簧垫圈和平垫组合件	Hexagon head bolt, spring washer and flat washer assembly part	1		1			
15	1B18037300034	离合开关总成	Clutch switch assy	1		1			
16	1B18037300028	预热开关	Preheater switch	1		1			
17	1B18037300025	危险告警开关	Alarm switch	1	1				
18	1B18037300027	后雾灯开关	Rear fog lamp switch	1	1				

1SB2003730105、1SB2003730108 开关 Switch

序号 No.	零件代号 Part No.	零件名称及规格. Part Name and Specification	Part Name and Specification	适用车型及用量 (件) Applied Models and Quantity (Piece)						
				用量 Qty.	车型 Models	用量 Qty.	车型 Model	用量 Qty.	车型 Model	
19	Q21405110	十字槽盘头螺钉	Cross recessed pan head screw	2	1069VCJEA-0ADA23 1069VCJEA-0ADA25	2	1069VCJEA-0ADA24 1069VCJEA-0ADA26 1069VCJEA-0ADA28 1069VCJEA-0ADA30			
20	Q40305	弹簧垫圈	Spring washer	2		2				
21	1B18037300030	门灯开关总成	Door lamp switch assembly	2		2				
22	1B18037300031	制动灯开关	Brake lamp switch	1		1				
23	Q67405200	塑料紧箍带	Plastic band	1		1				
24	1B18037300032	油门开关总成	Throttle switch assembly	1		1				
25	1B24237300026	驻车制动指示灯开关	Parking brake indicator switch	1		1				
26	1B24937300071	取力器开关	Power take-off switch			1				

1S10693663001 、1S10693663004 开关及继电器 Switch and relay

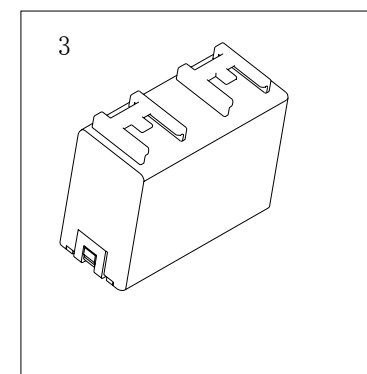
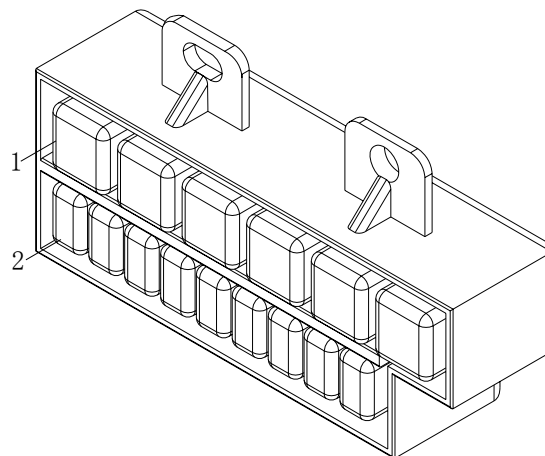
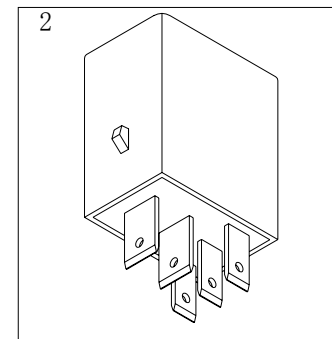
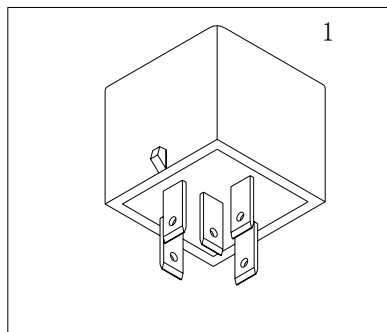


1S10693663001 、 1S10693663004 开关及继电器 Switch and relay

序号 No.	零件代号 Part No.	零件名称及规格. Part Name and Specification	适用车型及用量 (件) Applied Models and Quantity (Piece)						
			用量 Qty.	车型 Models	用量 Qty.	车型 Model	用量 Qty.	车型 Model	
	1S10693663001	开关及继电器	Switch and relay	1					
	1S10693663004	开关及继电器	Switch and relay			1			
1	1104636600020	气压过低报警器	Alarm for over-low air pressure	2		2			
2	1104936630013	大继电器	Large relay	2		2			
3	1B18037500016	24V 继电器	24V relay	3					
					1069VCJEA-0ADA25		1069VCJEA-0ADA23		
					1069VCJEA-0ADA26		1069VCJEA-0ADA24		
					1069VCJEA-0ADA30		1069VCJEA-0ADA28		



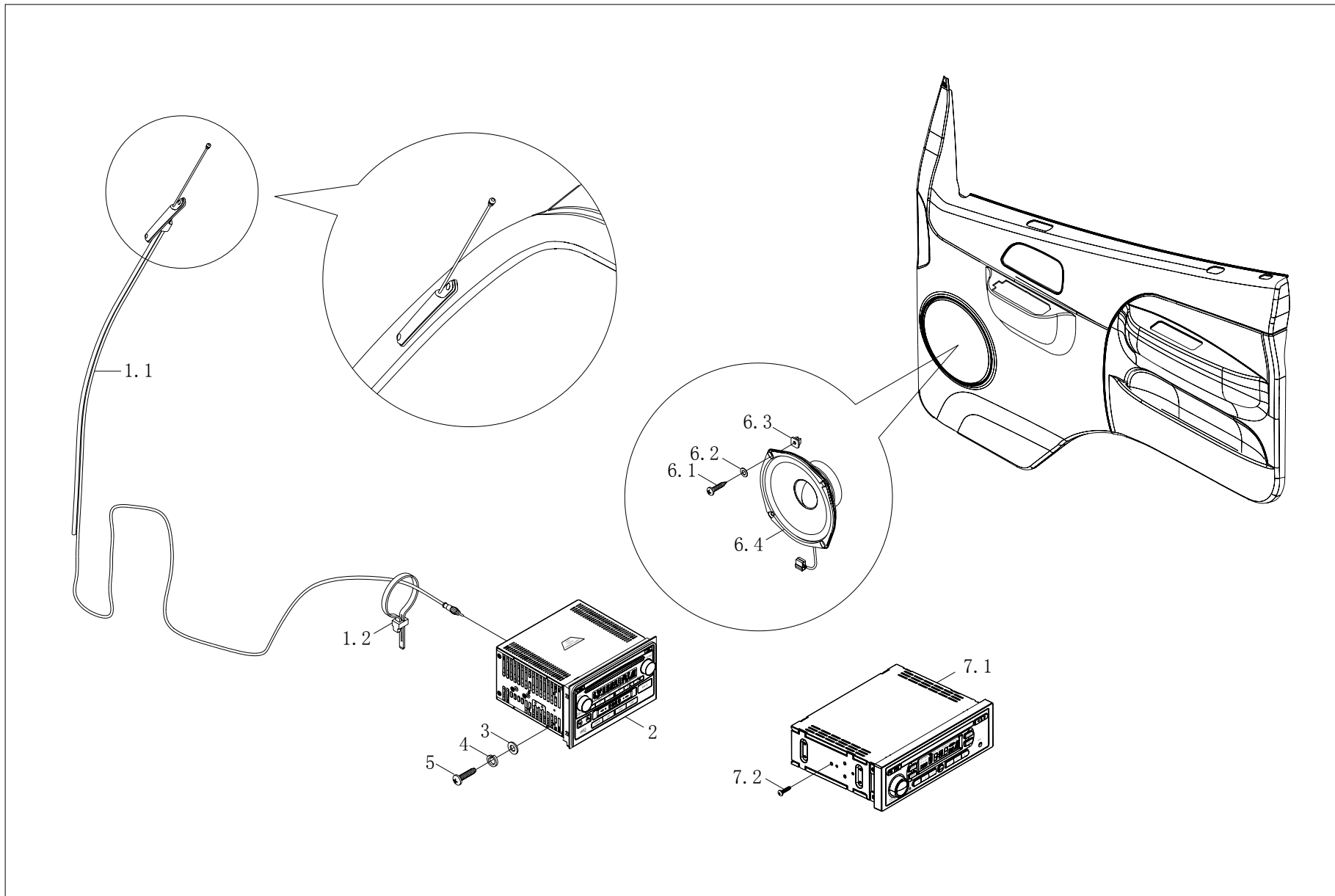
1SB1803750102、1SB1803750104 继电器 Relay



1SB1803750102、1SB1803750104 继电器 Relay

序号 No.	零件代号 Part No.	零件名称及规格.	Part Name and Specification	适用车型及用量 (件) Applied Models and Quantity (Piece)										
				用量 Qty.	车型 Models	用量 Qty.	车型 Model	用量 Qty.	车型 Model					
	1SB1803750102	继电器	Relay	1	1069VCJEA-0ADA23 1069VCJEA-0ADA24	1	1069VCJEA-0ADA25 1069VCJEA-0ADA26 1069VCJEA-0ADA30							
	1SB1803750104	继电器	Relay											
1	1B18037500016	24V 继电器	24V relay	4							5			
2	1B18037500019	24V 小继电器	24V small relay	6							6			
3	1B18037500020	24V 三合一控制器	24V triple controller	1							1			

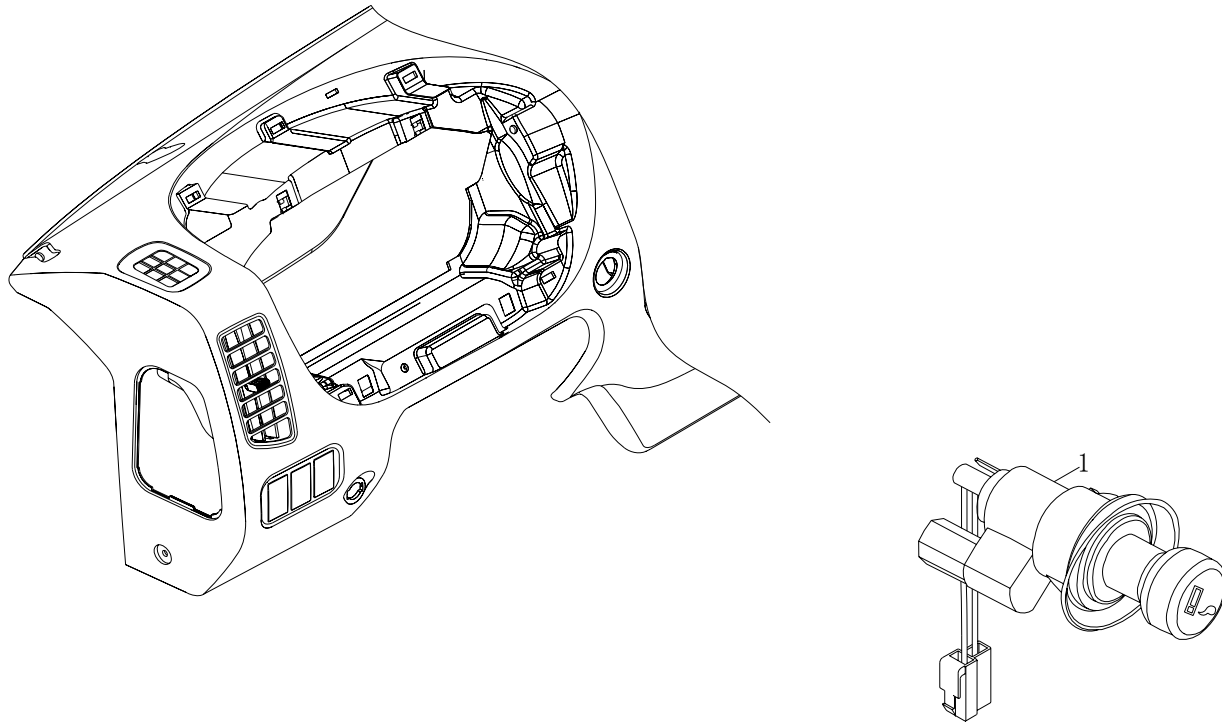
1SB1807910106 标准音响装置 Standard acoustic device 1SB1807910102 豪华音响装置 Luxury acoustic device



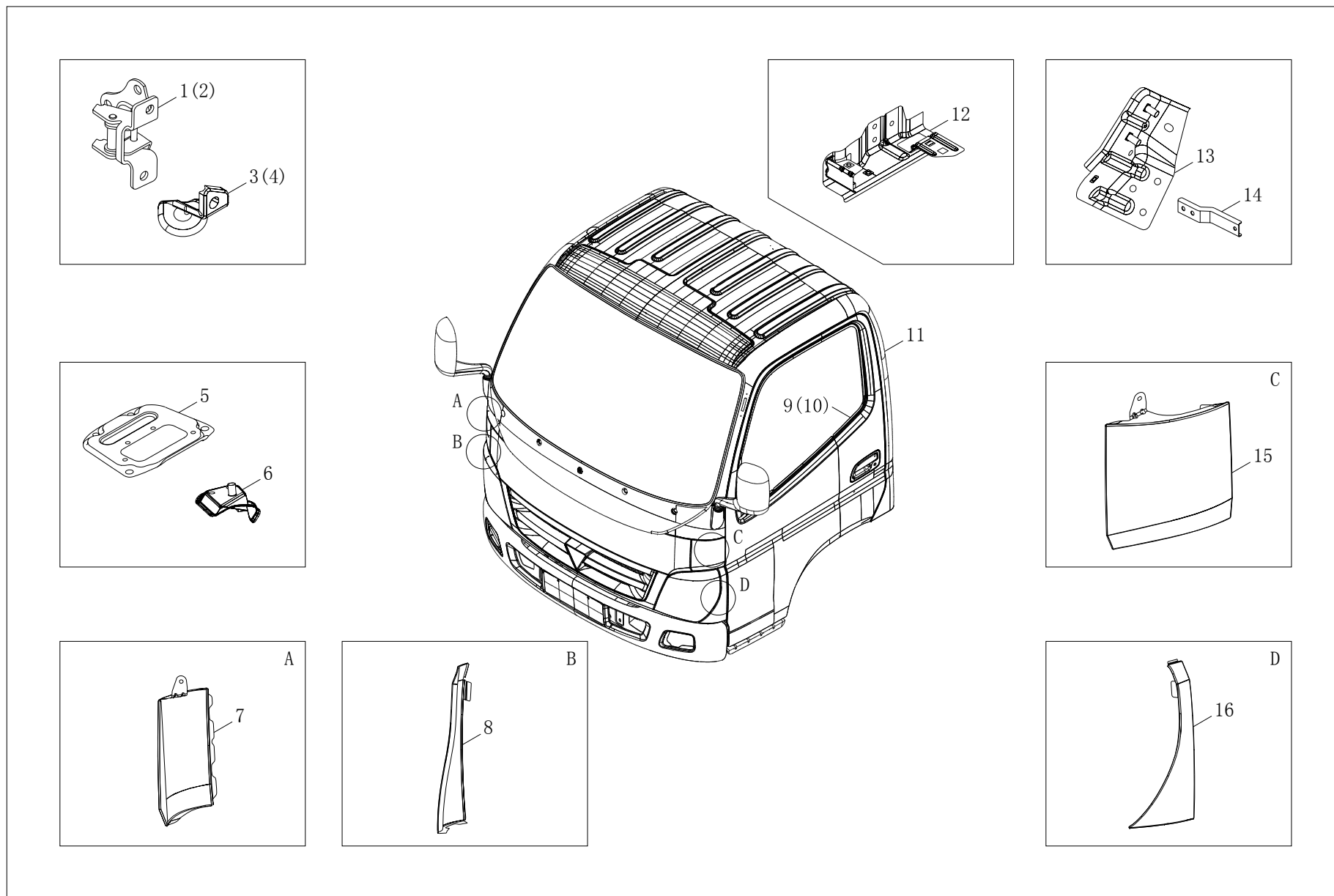
1SB1807910106 标准音响装置 Standard acoustic device 1SB1807910102 豪华音响装置 Luxury acoustic device

序号 No.	零件代号 Part No.	零件名称及规格. Part Name and Specification	适用车型及用量 (件) Applied Models and Quantity (Piece)						
			用量 Qty.	车型 Models	用量 Qty.	车型 Model	用量 Qty.	车型 Model	
	1SB1807910106	标准音响装置	Standard acoustic device	1					
	1SB1807910102	豪华音响装置	Luxury acoustic device			1			
1	1B18079100007	天线安装总成	Antenna installation assy	1		1			
1.1	1B18079100016	天线总成	Antenna assembly	1		1			
1.2	Q67407150	塑料紧箍带	Plastic band	6		6			
2	1B18079100011	CD 总成	CD assy			1			
3	Q40104	平垫圈	Flat washer			8			
4	Q40304	弹簧垫圈	Spring washer			8			
5	Q2140408	十字槽盘头螺钉	Cross recessed pan head screw			8			
6	1B18079100008	扬声器安装总成	Loudspeaker installation assy	1	1069VCJEA-0ADA23 1069VCJEA-0ADA24 1069VCJEA-0ADA25 1069VCJEA-0ADA26	1	1069VCJEA-0ADA28 1069VCJEA-0ADA30		
6.1	Q2714816	十字槽盘头 自攻螺钉-C 型	Cross recessed pan head tapping screws -C type	8		8			
6.2	Q40005	小垫圈	Small washer	8		8			
6.3	1B24957200015	塑料螺母-导轨	Plastic nut- rail	8		8			
6.4	1B18079100017	扬声器总成	Speaker assy	2		2			
7	1B18079100006	收放机安装图	Installation diagram of radio	1					
7.1	L0791010018A0	收音机总成 (带 AUX 接口)	Radio assembly (with AUX interface)	1					
7.2	Q2140408	十字槽盘头螺钉	Cross recessed pan head screw	6					

1SB1803780104 电器附件 Electrical accessories



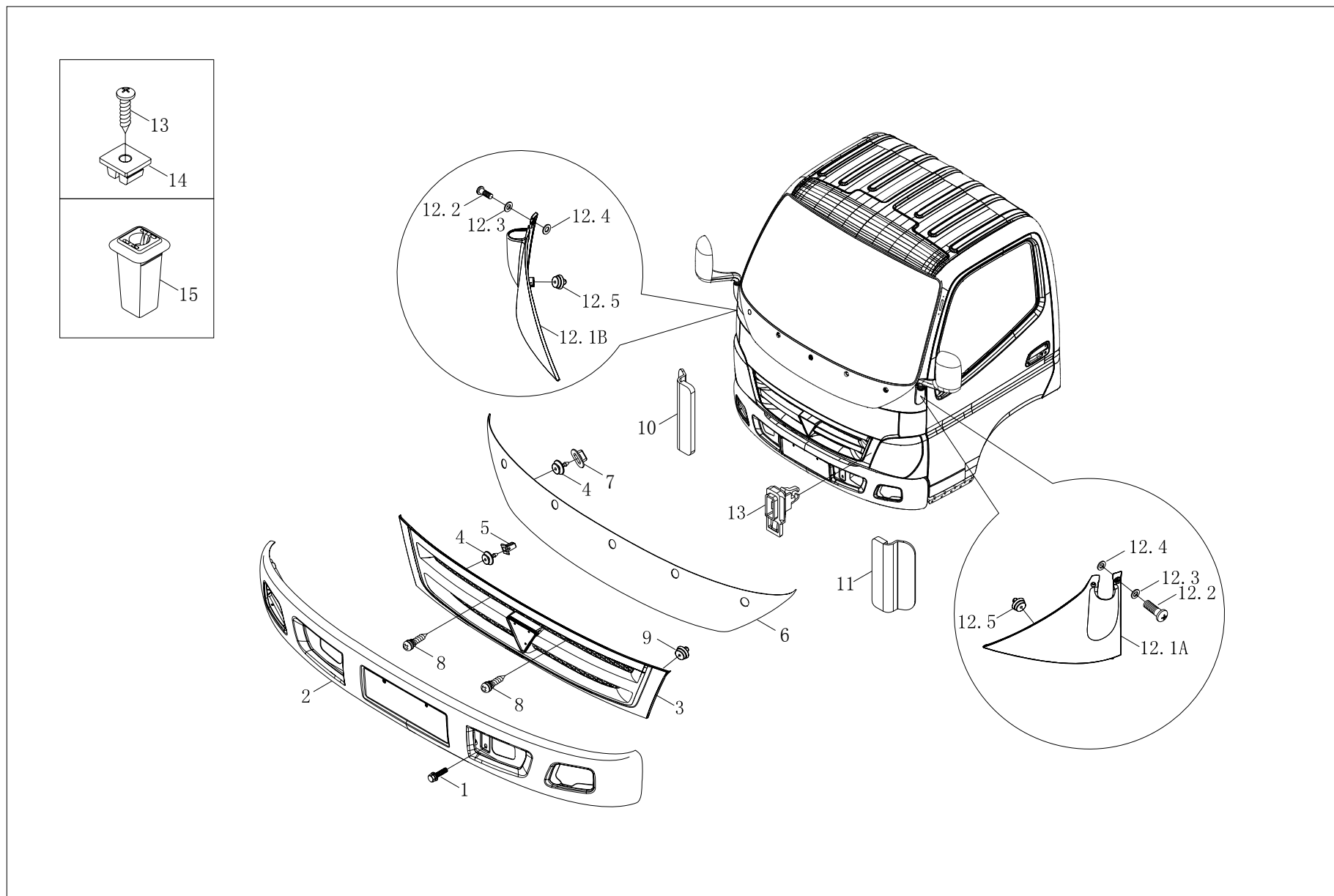
1SB2005000181 车身本体 Body shell



1SB2005000181 车身本体 Body shell

序号 No.	零件代号 Part No.	零件名称及规格.	Part Name and Specification	适用车型及用量 (件) Applied Models and Quantity (Piece)					
				用量 Qty.	车型 Models	用量 Qty.	车型 Model	用量 Qty.	车型 Model
	1SB2005000181	车身本体	Body shell						
	L0500010010A0	单排白车身总成	Single-row body-in-white assy						
1	1B18061000048	左前车门铰链总成	Hinge assy for F.L. door	2					
2	1B18061000058	右前车门铰链总成	Hinge assy for F.R. door	2					
3	1B18054001107	左转向灯侧支架	Side bracket of left turing lamp	1					
4	1B18054001108	右转向灯侧支架	Side bracket of right turing lamp	1					
5	1B18051000183	换挡操纵孔盖板总成	Cover plate assy of gear shift manipulate hole	1					
6	1B18051000063	安全带安装支架总成	Seat belt mounting bracket assy	1					
7	1B18053000034	右前围侧板总成	Front wall side plate assy (right)	1					
8	1B18053000036	右前大灯下装饰板总成	Right lower trim panel assembly - headlamp	1	1069VCJEA-0ADA23				
9	1B20061000002	右前车门板装配总成	Front door plate fitting assy, right	1	1069VCJEA-0ADA24				
10	1B20061000001	左前车门板装配总成	Front door plate fitting assy, left	1	1069VCJEA-0ADA25				
11	L0500010011A0	单排车身焊接总成	Welded assy for single-row body	1	1069VCJEA-0ADA26				
12	1B18054000110	左仪表板骨架安装 支架总成	Left instrument panel frame installation bracket assy	1	1069VCJEA-0ADA28				
13	1B18054000120	右仪表板骨架安装 支架总成	Right instrument panel frame installation bracket assy	1	1069VCJEA-0ADA30				
14	1B18054000121	仪表板侧边连接支架	Instrument panel side connection bracket	2					
15	1B18053000033	左前围侧板总成	Front wall side plate assy (left)	1					
16	1B18053000035	左前大灯下装饰板总成	Left lower trim panel assembly - headlamp	1					

1SB2005310111 前围附件 Front wall accessories



1SB2005310111 前围附件 Front wall accessories

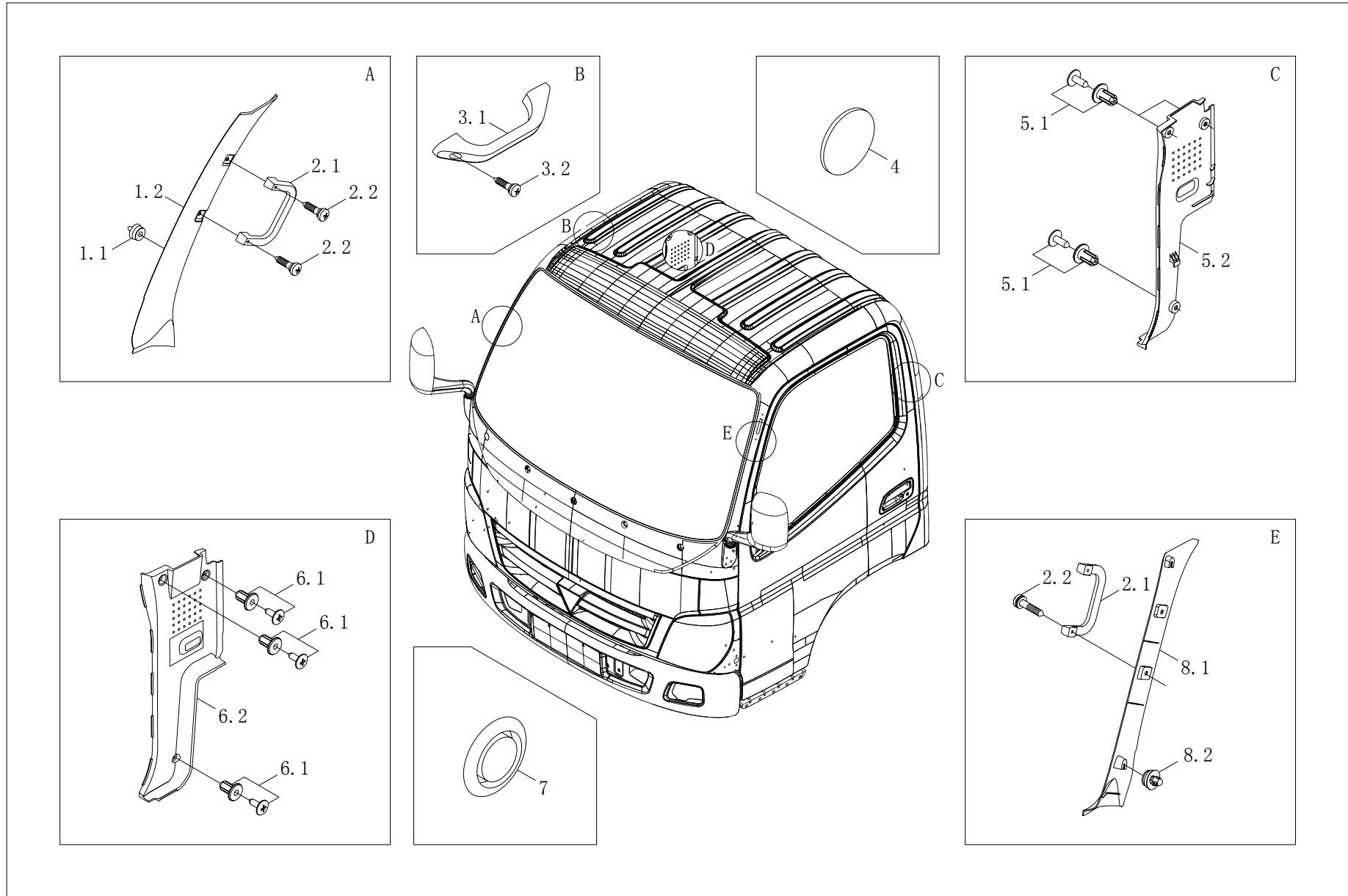
序号 No.	零件代号 Part No.	零件名称及规格. Part Name and Specification	适用车型及用量 (件) Applied Models and Quantity (Piece)						
			用量 Qty.	车型 Models	用量 Qty.	车型 Model	用量 Qty.	车型 Model	
	1SB2005310111	前围附件	Front wall accessories	1					
1	Q1461025F30	六角头螺栓、弹簧垫圈 和平垫圈组合件	Hex head bolt, spring washer and flat washer assembly	4					
2	1B20053100059	前保险杠总成	Front bumper assy	1					
3	1B20053100044	前围下护栅总成	Lower guardrail assy for front wall	1					
4	1B24954100018	卡扣—通风罩	Buckle- ventilating hood	10					
5	1B24954100019	卡扣座—通风罩	Clip base-ventilating hood	2					
6	1B20053100046	前围上装饰板总成	Upper trim plate assy for front wall	1					
7	1B24957200005	卡扣座—顶饰板	Clip base-top trim plate	1					
8	Q2320516T30	不锈钢组合螺栓	Stainless steel assembling bolt	2					
9	1B18053100234	塑料卡扣	Plastic clip	4	1069VCJEA-0ADA23				
					1069VCJEA-0ADA24				
					1069VCJEA-0ADA25				
10	1B18053100275	前围下装饰板 右塑料套	Right plastic sleeve of lower trim plate, front wall	1	1069VCJEA-0ADA26				
					1069VCJEA-0ADA28				
11	1B18053100274	前围下装饰板 左塑料套	Left plastic sleeve of lower trim plate, front wall	1	1069VCJEA-0ADA30				
12	1B18053100038	左转向灯上装饰件 安装总成	Upper trim installation assy of left turing lamp	1					
12	1B18053100039	右转向灯上装饰件 安装总成	Upper trim installation assy of right turing lamp	1					
12.1A	1B18053100033	左转向灯上装饰件	Upper trim of left turing lamp	1					
12.1B	1B18053100033	左转向灯上装饰件	Upper trim of left turing lamp	1					
12.2	Q2140512T30	十字槽盘头螺钉	Cross recessed pan head screw	4					
12.3	Q40005T30	小垫圈	Small washer	4					
12.4	1B18053100040	橡胶垫圈	Rubber washer	4					
12.5	1B18053100234	塑料卡扣	Plastic clip	4					

1SB2005310111 前围附件 Front wall accessories

序号 No.	零件代号 Part No.	零件名称及规格.	Part Name and Specification	适用车型及用量 (件) Applied Models and Quantity (Piece)					
				用量 Qty.	车型 Models	用量 Qty.	车型 Model	用量 Qty.	车型 Model
13	1B18053100013	插扣总成	Buckle assy	2	1069VCJEA-0ADA23 1069VCJEA-0ADA24 1069VCJEA-0ADA25 1069VCJEA-0ADA26 1069VCJEA-0ADA28 1069VCJEA-0ADA30				
14	Q2744816F30	十字槽沉头自攻螺钉	Cross recessed countersunk head self-tapping screw	2					
15	1B24957200015	塑料螺母-导轨	Plastic nut- rail	2					
15	1D16961200040	前门扶手支架塑料螺母	Plastic nut for front door armrest bracket	2					



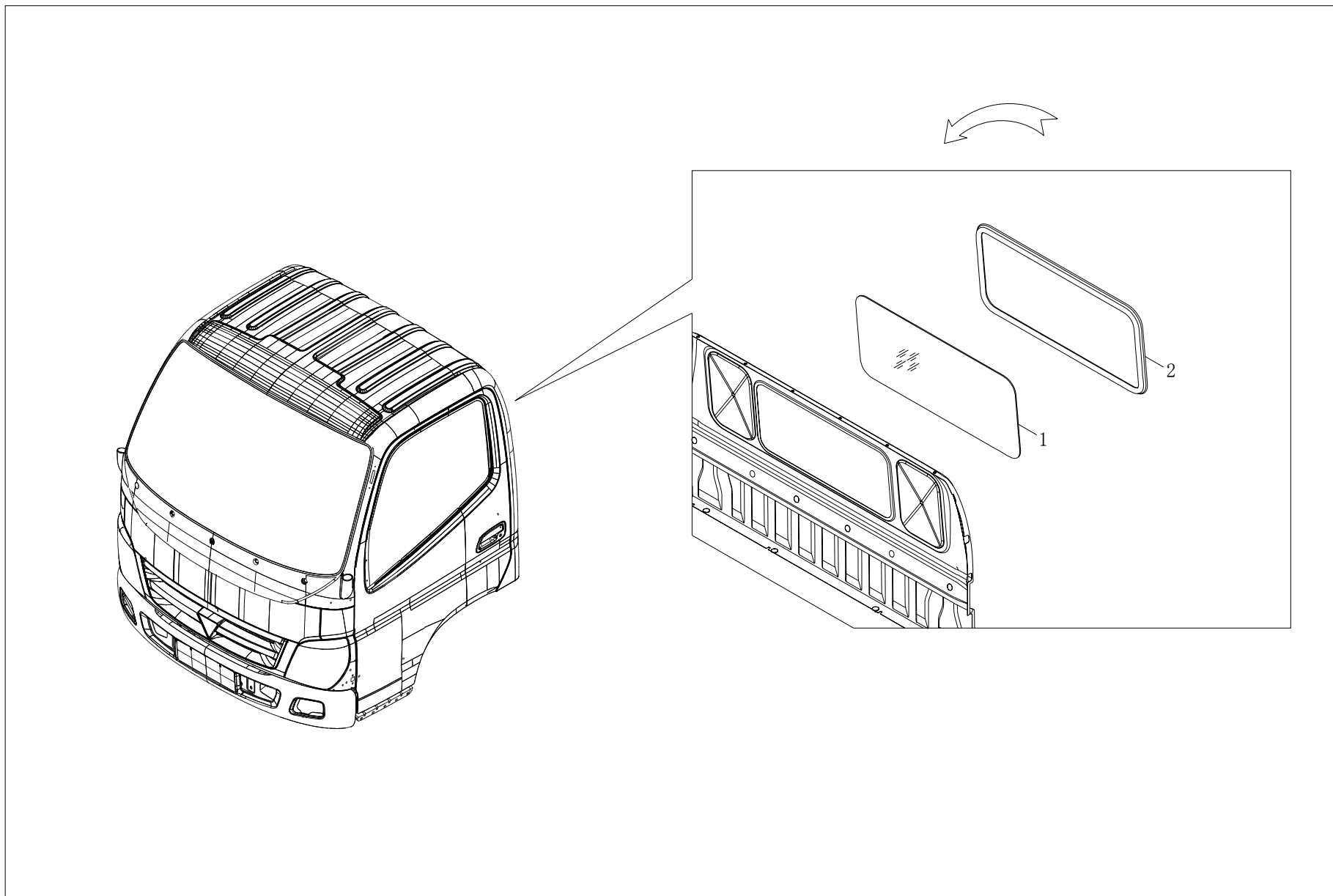
1SB2005410123 侧围附件 Side wall accessories



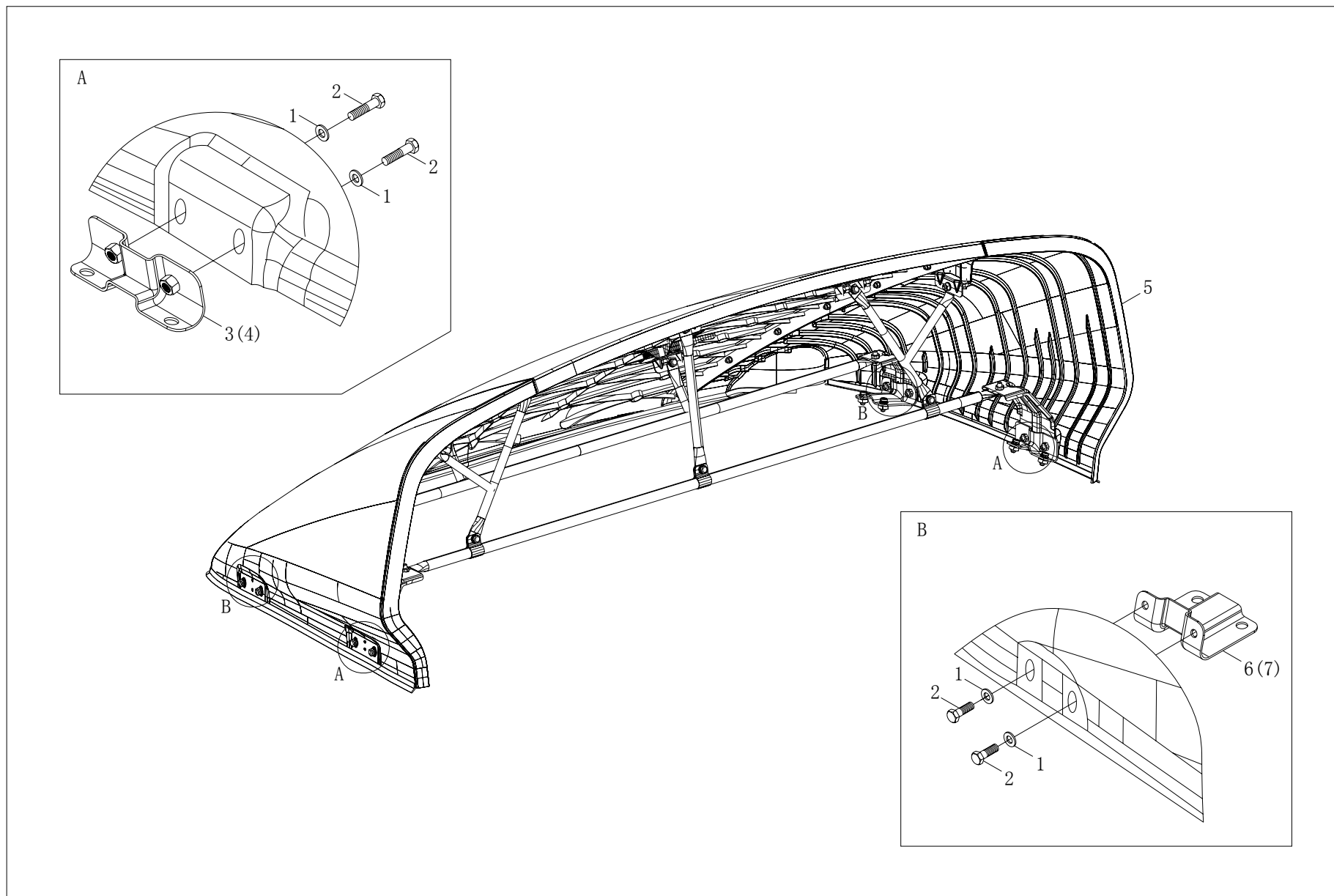
1SB2005410123 侧围附件 Side wall accessories

序号 No.	零件代号 Part No.	零件名称及规格.	Part Name and Specification	适用车型及用量 (件) Applied Models and Quantity (Piece)					
				用量 Qty.	车型 Models	用量 Qty.	车型 Model	用量 Qty.	车型 Model
	1SB2005410123	侧围附件	Side wall accessories	1					
1	1B20054100506	右前立柱护板安装总成	Guard plate installation assy for F.R. column	1					
1.1	1B18061200337	塑料卡扣	Plastic clip	2					
1.2	1B20054100504	右前立柱护板	Guard plate for F.R. column	1					
2	1B18054100024	前登车扶手安装总成	Installation assy for front boarding handrail	1					
2.1	1B18054100001	登车扶手	Ascending handrail	2					
2.2	Q2320630F30	十字槽盘头螺钉和弹簧垫圈组合件	Cross recessed pan head screw and spring washer assy	4					
3	1B18054100025	前乘客拉手安装总成	Front passengers' handhold installation assy	1					
3.1	1B18054100002	乘客拉手	Passengers' handhold	1	1069VCJEA-0ADA23 1069VCJEA-0ADA24 1069VCJEA-0ADA25 1069VCJEA-0ADA26 1069VCJEA-0ADA28 1069VCJEA-0ADA30				
3.2	Q2320625F31	十字槽盘头螺钉和弹簧垫圈组合件	Cross recessed pan head screw and spring washer assy	2					
4	1B18054100091	密封膜 I	Sealing film I	6					
5	1B18054100431	左侧围下饰板安装总成	Lower trim plate installation assy for left side wall	1					
5.1	1B18054100039	塑料膨胀螺钉总成	Plastic expansion screw assy	3					
5.2	1B18054100408	左后侧围下饰板	Lower trim plate for left-rear side wall	1					
6	1B18054100432	右侧围下饰板安装总成	Lower trim plate installation assy for right side wall	1					
6.1	1B18054100039	塑料膨胀螺钉总成	Plastic expansion screw assy	3					
6.2	1B18054100409	右后侧围下饰板	Lower trim plate for right-rear side wall	1					
7	1B18051200073	堵盖(Φ30)	Plug (Φ30)	2					
8	1B20054100505	左前立柱护板安装总成	Guard plate installation assy for F.L. column	1					
8.1	1B20054100503	左前立柱护板	Guard plate for F.L. column	1					

1SB2005720101 顶盖附件 Roof accessories



1SB2005070101 导流装置 Deflector

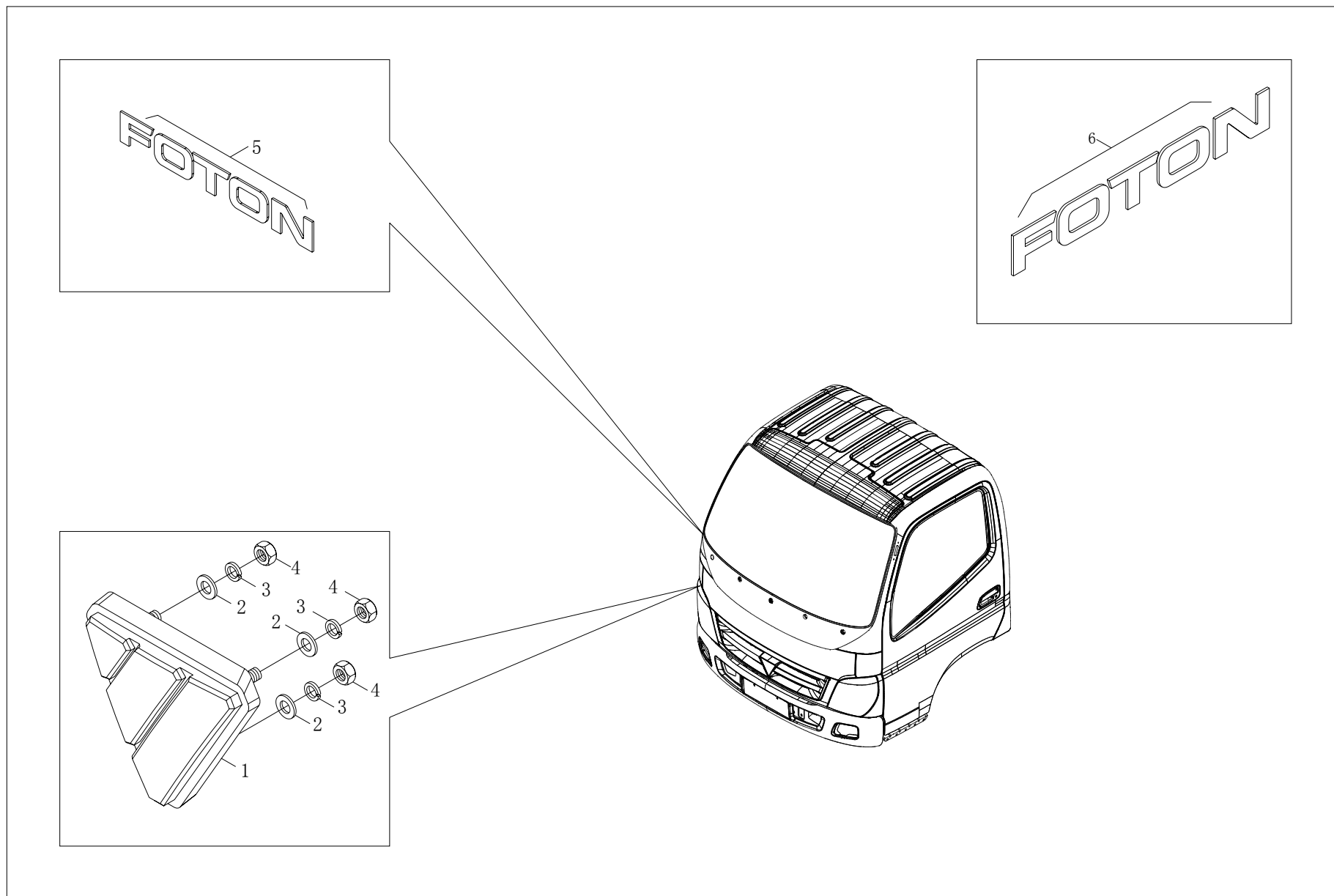


1SB2005070101 导流装置 Deflector

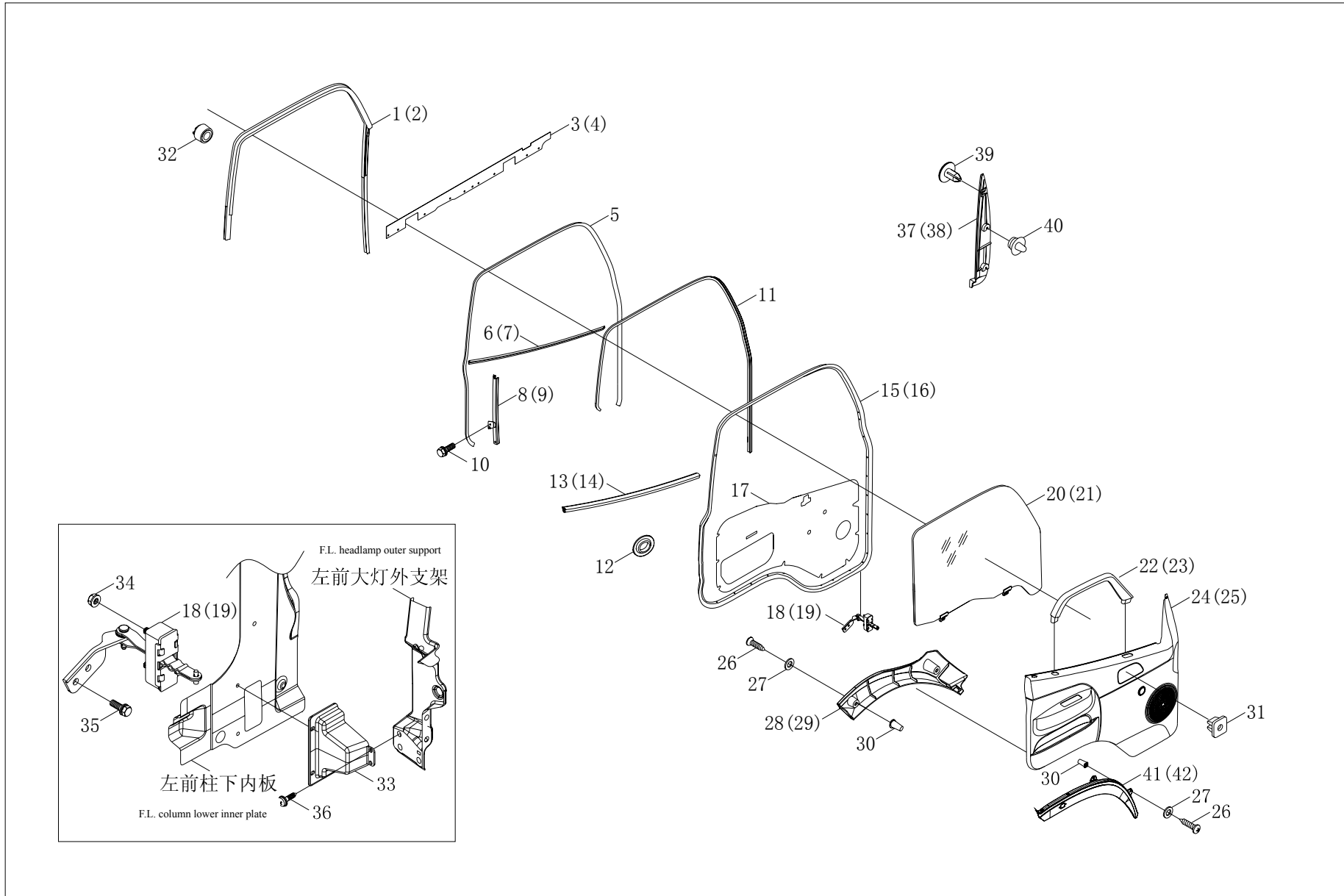
序号 No.	零件代号 Part No.	零件名称及规格.	Part Name and Specification	适用车型及用量 (件) Applied Models and Quantity (Piece)					
				用量 Qty.	车型 Models	用量 Qty.	车型 Model	用量 Qty.	车型 Model
	1SB2005070101	导流装置	Deflector	1					
1	Q40208F30	大垫圈	Big washer	8					
2	Q150B0825F30	六角头螺栓	Hex head bolt	8					
3	1B18054000151	导流罩左固定支架 2 总成	Left fixed bracket 2 assy for deflector shield	1					
4	1B18054000152	导流罩右固定支架 2 总成	Right fixed bracket 2 assy for deflector shield	1					
5	1B20050700140	高顶导流罩总成	Top cowl assembly	1					
6	1B18054000149	导流罩左固定支架 1 总成	Left fixed bracket 1 assy for deflector shield	1					
7	1B18054000150	导流罩右固定支架 1 总成	Right fixed bracket 1 assy for deflector shield	1					
					1069VCJEA-0ADA23				
					1069VCJEA-0ADA24				
					1069VCJEA-0ADA25				
					1069VCJEA-0ADA26				
					1069VCJEA-0ADA28				
					1069VCJEA-0ADA30				



1SB1805050117 车身外包装(奥铃出口哥伦比亚) External body packing (OLLIN exported to Colombia.)



1SB2006120102 前侧车门附件 Front door accessories



1SB2006120102 前侧车门附件 Front door accessories

序号 No.	零件代号 Part No.	零件名称及规格.	Part Name and Specification	适用车型及用量 (件) Applied Models and Quantity (Piece)					
				用量 Qty.	车型 Models	用量 Qty.	车型 Model	用量 Qty.	车型 Model
	1SB2006120102	前侧车门附件	Front door accessories	1					
1	1B18061201053	左前车门玻璃泥槽	F.L. door glass chute	1					
2	1B18061201054	右前车门玻璃泥槽	F.R. door glass chute	1					
3	1B18061200060	左前车门前侧条总成	Front side strip assy for F.L. door	1					
4	1B18061200061	右前车门前侧条总成	Front side strip assy for F.R. door	1					
5	1B18061200038	前车门框条	Doorframe strip for front door	2					
6	1B18061201041	左前车门外装饰胶条	Outer trim tape for F.R. door	1					
7	1B18061201042	右前车门外装饰胶条	Outer trim tape for F.R. door	1					
8	1B18061201093	左前车门玻璃 后导槽总成	Rear guide groove assembly, F.L. door glass	1	1069VCJEA-0ADA23 1069VCJEA-0ADA24 1069VCJEA-0ADA25 1069VCJEA-0ADA26 1069VCJEA-0ADA28 1069VCJEA-0ADA30				
9	1B18061201094	右前车门玻璃 后导槽总成	Rear guide groove assembly, F.R. door glass	1					
10	Q1460620	六角头螺栓、弹簧 垫圈和平垫组合件	Hexagon head bolt, spring washer and flat washer assembly part	2					
11	1B18061200095	前车门玻璃后导槽胶条	Rear guide groove strip of front door glass	2					
12	1B18061200065	堵盖	Plug	2					
13	1B18061201343	左前车门内装饰胶条	Inner trim tape for F.L. door	1					
14	1B18061201344	右前车门内装饰胶条	Inner trim tape for F.R. door	1					
15	1B18061201034	左前车门密封条总成	Seal strip assy for F.L. door	1					
16	1B18061201035	右前车门密封条总成	Seal strip assy for F.R. door	1					
17	1B18061200140	防雨帘罩 I	Anti-rain curtain I	1					
17	1B18061200141	防雨帘罩 II	Anti-rain curtain II	1					
18	1B18061200072	左前车门限位器 安装总成	Stopper assy for F.L door	1					

1SB2006120102 前侧车门附件 Front door accessories

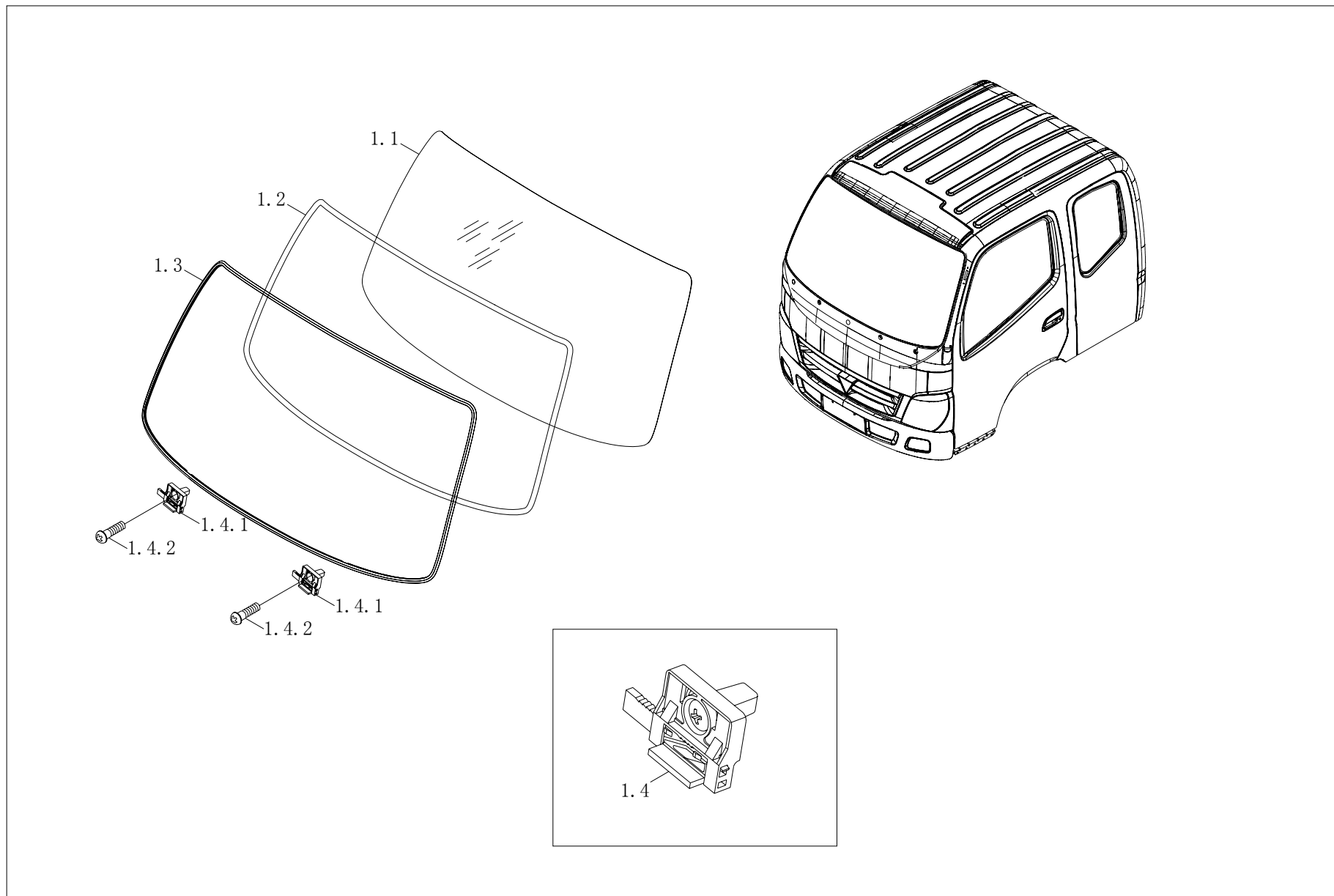
序号 No.	零件代号 Part No.	零件名称及规格.	Part Name and Specification	适用车型及用量 (件) Applied Models and Quantity (Piece)					
				用量 Qty.	车型 Models	用量 Qty.	车型 Model	用量 Qty.	车型 Model
19	1B18061200073	右前车门限位器 安装总成	Stopper assy for F.R door	1					
20	1B18061201066	左前车门玻璃总成	F.L. door glass assy	1					
21	1B18061201067	右前车门玻璃总成	F.R. door glass assy	1					
22	1B18061201415	左前车门支撑扶手	Supporting handrial of left front door	1					
23	1B18061201425	右前车门支撑扶手	Supporting handrial of right front door	1					
24	1B18061201417	左前车门内饰板 总成(手动)	Inner trim plate assy for F.L door (manual)	1					
25	1B18061201418	右前车门内饰板 总成(手动)	Inner trim plate assy for F.R door (manual)	1					
26	Q2714816F31	十字槽盘头自攻螺钉	Cross recessed pan head tapping screws	16					
27	Q40105F31	平垫圈	Flat washer	8	1069VCJEA-0ADA23 1069VCJEA-0ADA24 1069VCJEA-0ADA25 1069VCJEA-0ADA26 1069VCJEA-0ADA28 1069VCJEA-0ADA30				
28	1B18061200129	左车门下饰件	Lower trim for left door	1					
29	1B18061200130	右车门下饰件	Lower trim for right door	1					
30	1B24951200041	塑料螺母	Plastic nut	12					
31	1B18061200116	圆形缓冲垫	Round cushion	1					
32	1B24957200015	塑料螺母-导轨	Plastic nut- guide rail	4					
33	1B18061200102	限位器罩	Limit cover	2					
34	Q33008	全金属六角法兰面 锁紧螺母	Prevailing torque type all- metal hex nut with flange	4					
35	Q1460820	六角头螺栓、弹簧 垫圈和平垫组合件	Hexagon head bolt, spring washer and flat washer assembly part	6					
36	Q2300512	十字槽盘头螺钉 和平垫圈组合件	Cross recessed pan head screw and spring washer assy	3					
37	1B18061201049	左前车门外装饰板 总成	F.L. door outer trim panel assy	1					

1SB2006120102 前侧车门附件 Front door accessories

序号 No.	零件代号 Part No.	零件名称及规格.	Part Name and Specification	适用车型及用量 (件) Applied Models and Quantity (Piece)					
				用量 Qty.	车型 Models	用量 Qty.	车型 Model	用量 Qty.	车型 Model
38	1B18061201050	右前车门外装饰板总成	F.R. door outer trim panel assy	1	1069VCJEA-0ADA23 1069VCJEA-0ADA24 1069VCJEA-0ADA25 1069VCJEA-0ADA26 1069VCJEA-0ADA28 1069VCJEA-0ADA30				
39	1B18061200019	塑料卡钉总成	Plastic screw assy	2					
40	1B18061200115	塑料卡扣	Plastic clip	4					
41	1B20061200001	左车门下饰板	Lower trim plate for left door	1					
42	1B20061200002	右车门下饰板	Lower trim plate for right door	1					



1SB2005210101 风窗零部件 Windshield component

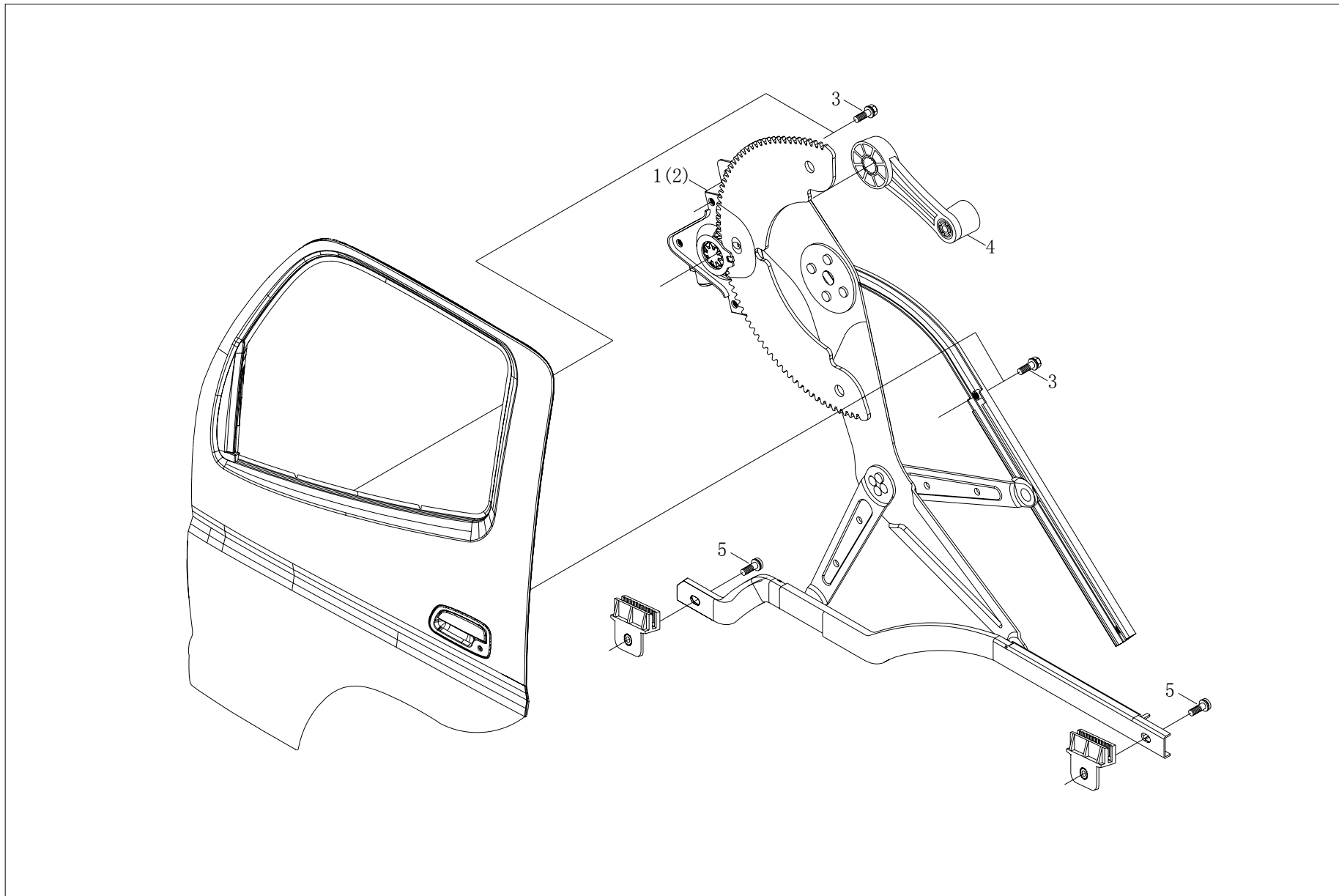


1SB2005210101 风窗零部件 Windshield component

序号 No.	零件代号 Part No.	零件名称及规格. Part Name and Specification	适用车型及用量 (件) Applied Models and Quantity (Piece)						
			用量 Qty.	车型 Models	用量 Qty.	车型 Model	用量 Qty.	车型 Model	
	1SB2005210101	风窗零部件	Windshield component	1		1			
1	1B20052100011	前风窗玻璃安装总成	Front windshield installation assy			2			
1.1	1B20052100001	前风窗玻璃(夹层)	Windshield (laminated)	1		1			
1.2	1B20052100002	前风窗玻璃外饰条总成	Outer decorating strip assy for front windscreen	1		1			
1.3	1B20052100003	前风窗内装饰密封条总成	Inner trim sealing strip assy, front windshield	1		1			
1.4	1B20052100012	玻璃定位卡子安装总成	Glass locating clip installation assy	1					
1.4.1	1B18052100004	玻璃定位卡子总成	Glass ositioning clip assy	2		2			
1.4.2	Q2714813	十字槽盘头自攻螺钉-C型	Cross recessed pan head tapping screws -C type	2					
					1069VCJEA-0ADA23				
					1069VCJEA-0ADA24				
					1069VCJEA-0ADA25				
					1069VCJEA-0ADA26				
					1069VCJEA-0ADA28				
					1069VCJEA-0ADA30				



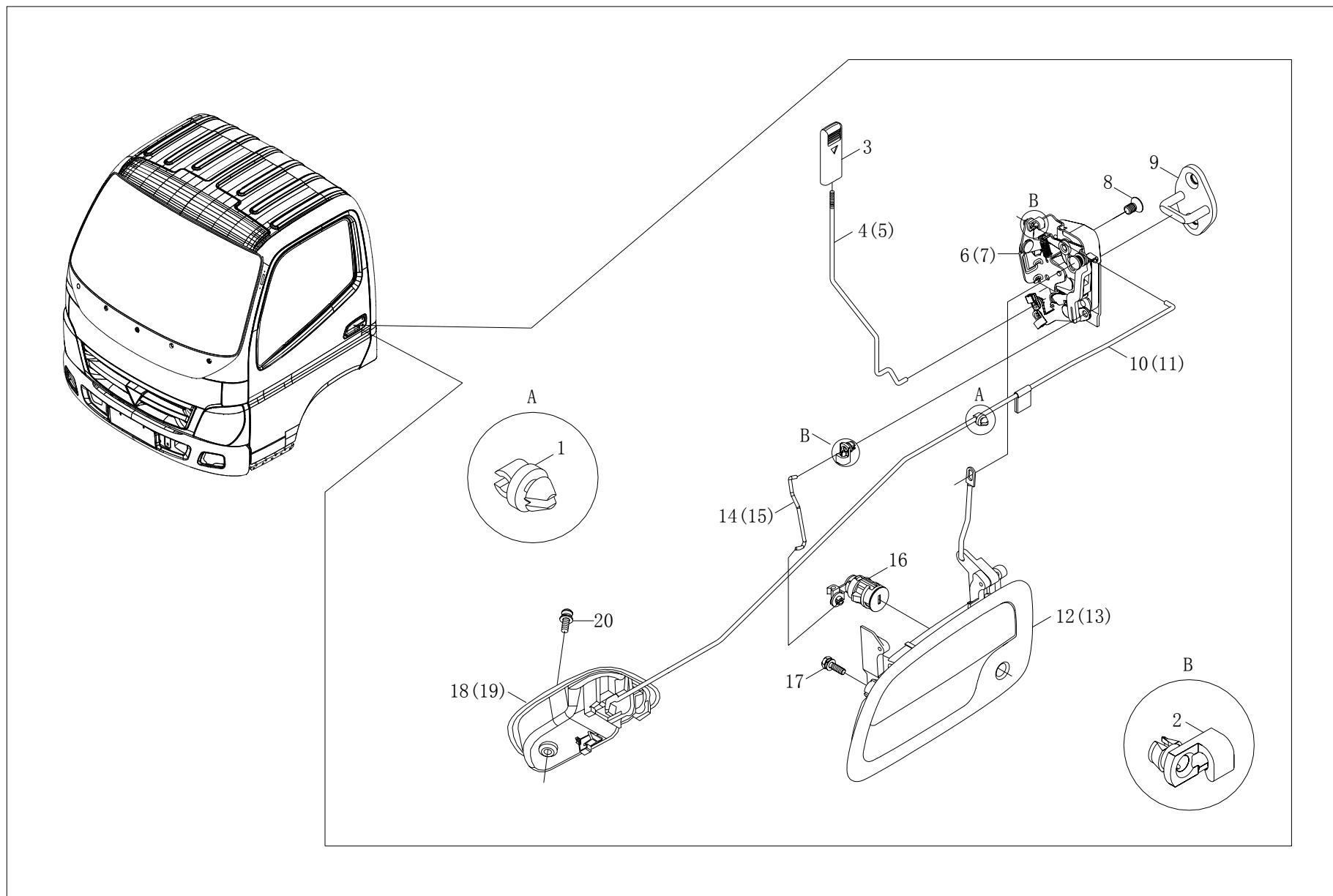
1SB1806140105 玻璃升降机构 Glass Regulator mechanism



1SB1806140105 玻璃升降机构 Glass Regulator mechanism

序号 No.	零件代号 Part No.	零件名称及规格.	Part Name and Specification	适用车型及用量 (件) Applied Models and Quantity (Piece)						
				用量 Qty.	车型 Models	用量 Qty.	车型 Model	用量 Qty.	车型 Model	
	1SB1806140105	玻璃升降机构	Glass Regulator mechanism	1						
1	1B18061400011	左前车门玻璃 升降器总成	Regulator assy for front left door glass	1						
2	1B18061400021	右前车门玻璃 升降器总成	Regulator assy for front right door glass	1						
3	Q1460612	六角头螺栓、弹簧 垫圈和平垫圈组合件	Hex head bolt, spring washer and flat washer assembly	12						
4	1B18061400042	升降器摇把手总成	Shaking handle assy for regulator	2						
5	Q2360616	十字槽盘头螺钉、 弹垫和平垫组合件	Cross recessed pan head screw, spring cushion & flat washer assy	4						
					1069VCJEA-0ADA23					
					1069VCJEA-0ADA24					
					1069VCJEA-0ADA25					
					1069VCJEA-0ADA26					
					1069VCJEA-0ADA28					
					1069VCJEA-0ADA30					

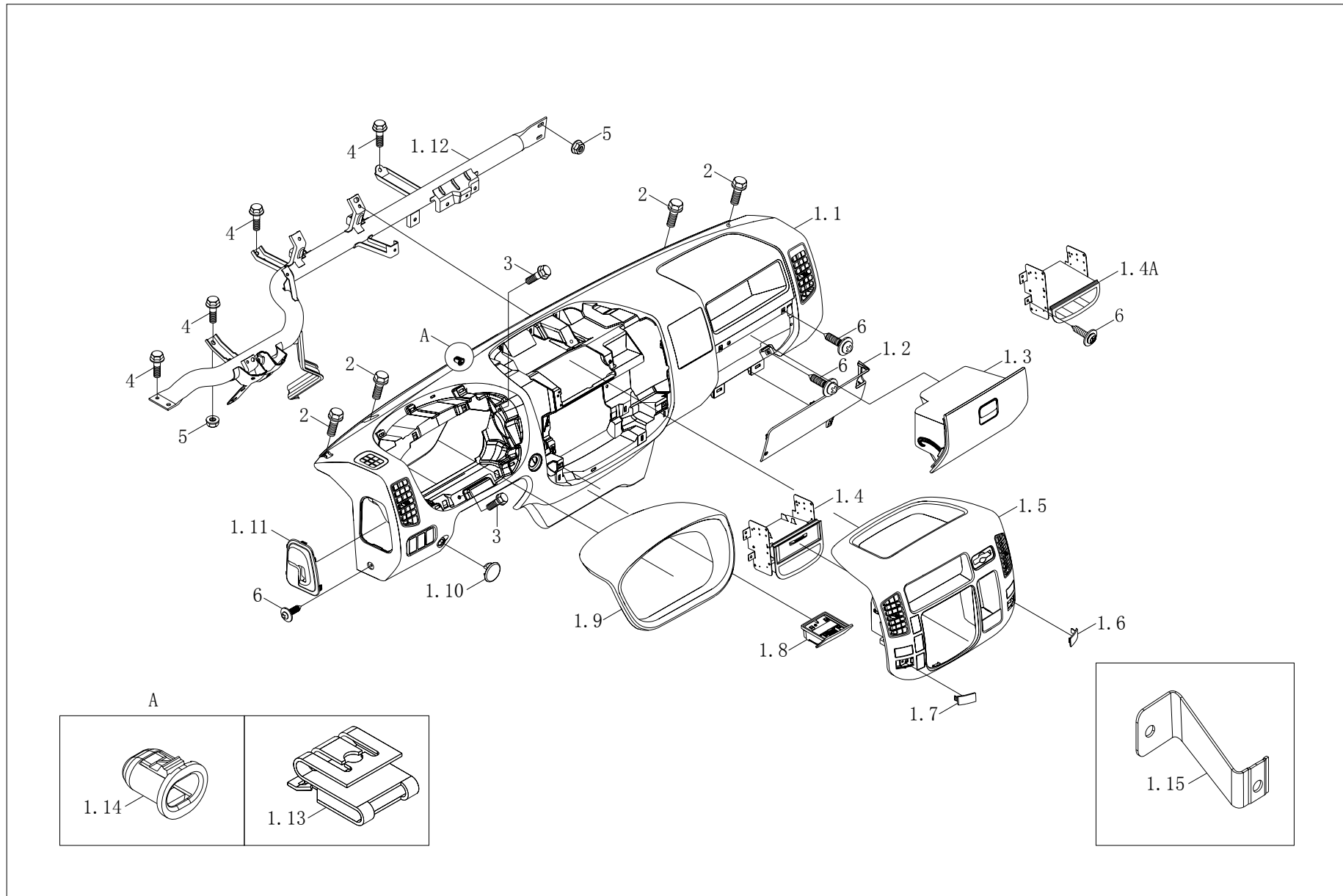
1SB1806150107 门锁 Door lock



1SB1806150107 门锁 Door lock

序号 No.	零件代号 Part No.	零件名称及规格.	Part Name and Specification	适用车型及用量 (件) Applied Models and Quantity (Piece)					
				用量 Qty.	车型 Models	用量 Qty.	车型 Model	用量 Qty.	车型 Model
	1SB1806150107	门锁	Door lock	1					
	L0610150285A0	左前车门锁总成	F.L. door lock assy	1					
	L0610150286A0	右前车门锁总成	F.R. door door assy	1					
1	1B18061500009	塑料导向卡扣	Plastic guide buckle	1					
2	1B18061500008	塑料卡扣	Plastic buckle	5					
3	1B18061500017	车门锁按钮	Door lock button	1					
4	1B18061501018	左前车门锁竖拉杆	Vertical pull rod for F.L. door lock	1					
5	1B18061501028	右前车门锁竖拉杆	Vertical pull rod for F.R. door lock	1					
6	1B18061501012	左前车门锁锁体总成	F.L. door lock body assy	1					
7	1B18061501022	右前车门锁锁体总成	F.R. door lock body assy	1	1069VCJEA-0ADA23				
8	Q2400616T30	十字槽沉头螺钉 (不锈钢)	Cross recessed countersunk head screw(stainless steel)	6	1069VCJEA-0ADA24				
9	1B18061501015	车门锁锁钩总成	Lock hook assy of door	2	1069VCJEA-0ADA25				
10	1B18061501019	左前车门锁横拉杆	Horizontal pull rod for F.L. door lock	1	1069VCJEA-0ADA26				
11	1B18061501029	右前车门锁横拉杆	Horizontal pull rod for F.R. door lock	1	1069VCJEA-0ADA28				
12	1B18061500036	左前车门锁外 扣手总成	F.L. door lock outer buckle assy	1	1069VCJEA-0ADA30				
13	1B18061500046	右前车门锁外 扣手总成	Exterior buckle assy for F.R. door lock	1					
14	1B18061501041	左前车门锁芯拉杆	Vertical pull rod for F.L. door lock	1					
15	1B18061501051	右前车门锁芯拉杆	Vertical pull rod for F.R. door lock	1					
16	1B18061500005	锁芯总成	Lock cylinder assy	2					
17	Q1460612	六角头螺栓、弹簧 垫圈和平垫圈组合件	Hex head bolt, spring washer and flat washer assembly	4					

1SB2005350101、1SB2005350103 仪表板 Instrument panel



1SB2005350101、1SB2005350103 仪表板 Instrument panel

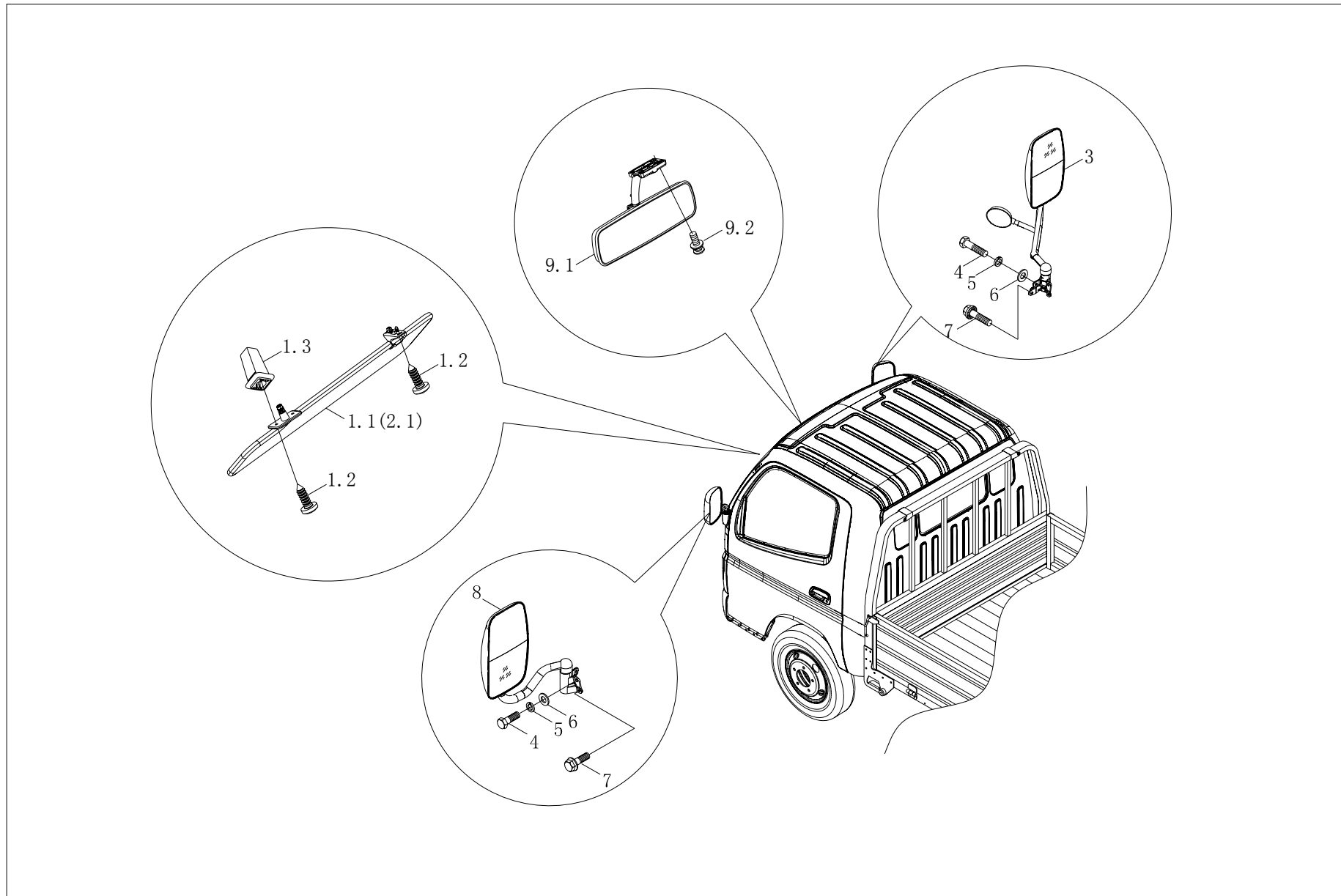
序号 No.	零件代号 Part No.	零件名称及规格.	Part Name and Specification	适用车型及用量 (件) Applied Models and Quantity (Piece)					
				用量 Qty.	车型 Models	用量 Qty.	车型 Model	用量 Qty.	车型 Model
	1SB2005350101	仪表板	Instrument panel	1					
	1SB2005350103	仪表板	Instrument panel			1			
1	1B20053500002	仪表板总成	Dashboard assembly	1					
1	1B20053500009	仪表板总成	Dashboard assembly			1			
1.1	1B20053500003	仪表板本体总成	Instrument panel body assy	1		1			
1.2	1B20053500035	右侧下护板本体	Lower right guard plate assy	1		1			
1.3	1B20053500032	杂物箱总成	Glove box assembly	1		1			
1.4	1B18053500139	中间支架总成(有盖)	Intermediate bracket assy (with lid)	1					
1.4A	1B18053500137	中间支架总成(无盖)	Intermediate bracket assy (without lid)			1			
1.5	1B18053500013	中控面板总成	Central control panel assembly	1	1069VCJEA-0ADA23 1069VCJEA-0ADA24 1069VCJEA-0ADA25 1069VCJEA-0ADA26	1	1069VCJEA-0ADA28 1069VCJEA-0ADA30		
1.6	1B18053500153	右侧螺钉闷盖	Screw blank cap (right side)	1		1			
1.7	1B18053500152	左侧螺钉闷盖	Screw blank cap (left side)	1		1			
1.8	1B18053500031	烟灰盒本体总成	Ash tray body assy	1		1			
1.9	1B18053500012	仪表罩总成	Instrument cover assy	1		1			
1.10	1B18053500155	熄火拉线口闷盖	Blank cap for flameout cable port	1		1			
1.11	1B18053500033	制动液加注口盖	Cap for brake fluid filling port	1		1			
1.12	L0535035013A0	仪表板安装横梁 焊接总成	Welded installation beam assy for instrument penal	1		1			
1.13	1B18053500161	S型簧片螺母	S-type spring nut	2		2			
1.14	1B18053500154	塑料卡头母	Plastic clip nut	4		4			
1.15	1B18053500062	仪表板加强支架总成	Reinforcement bracket assy for instrument penal	1		1			

1SB2005350101、1SB2005350103 仪表板 Instrument panel

序号 No.	零件代号 Part No.	零件名称及规格.	Part Name and Specification	适用车型及用量(件) Applied Models and Quantity (Piece)					
				用量 Qty.	车型 Models	用量 Qty.	车型 Model	用量 Qty.	车型 Model
2	Q1840630F30	六角头法兰面螺栓	Hexagon head flange bolt	4		9			
3	Q1840616	六角法兰面螺栓	Hex flange bolt	9					
4	Q1800820	六角法兰面承面带齿螺栓	Hexagonal bolts with serrated flange	5		5			
5	Q32008	六角法兰面螺母	Hex flange nut	4		4			
6	1B18053500168	大平头连接螺钉	Flat head connecting bolt	12		12			
					1069VCJEA-0ADA23				
					1069VCJEA-0ADA24				
					1069VCJEA-0ADA25		1069VCJEA-0ADA28		
					1069VCJEA-0ADA26		1069VCJEA-0ADA30		



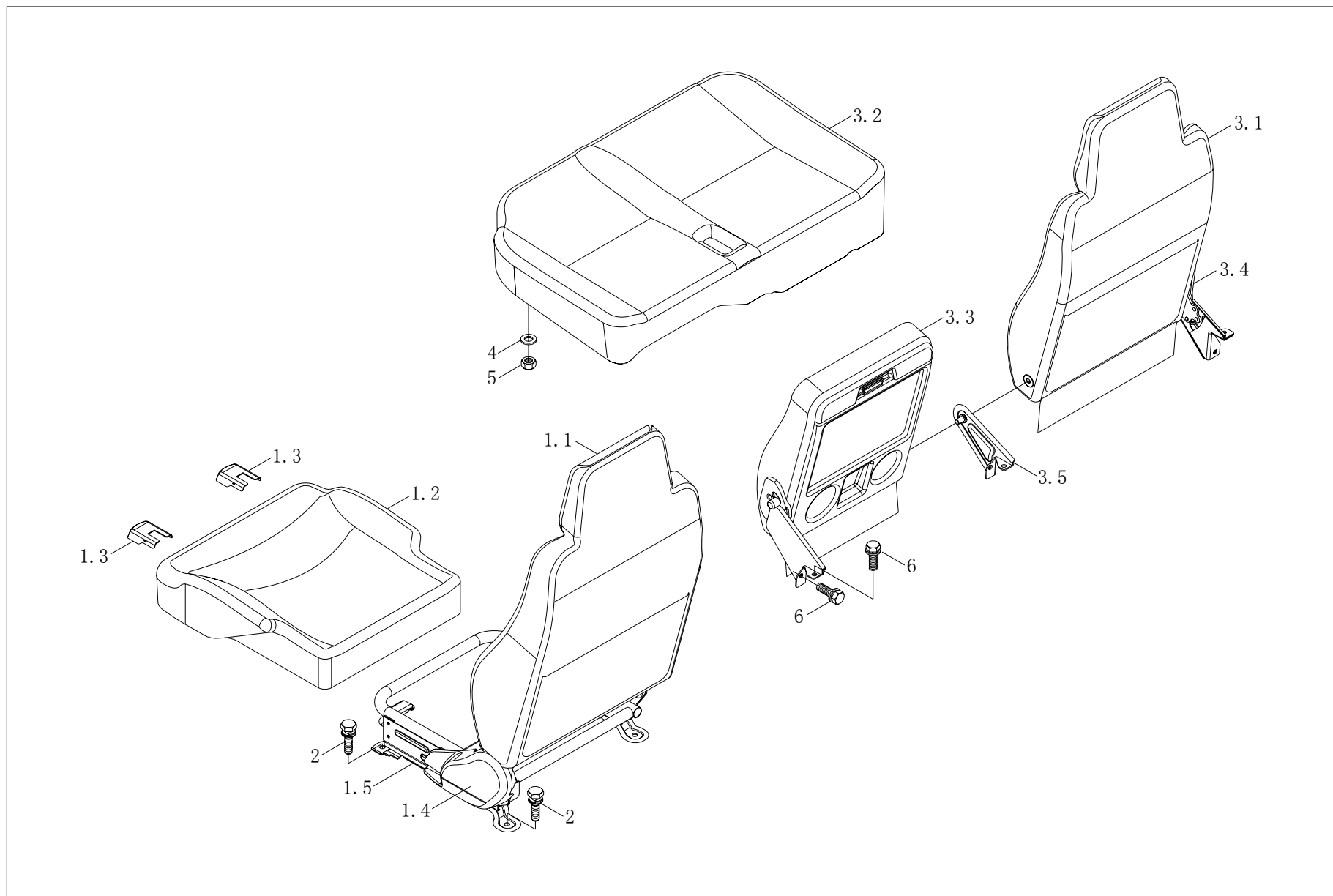
1SB1808210103 后视镜 Rearview mirror 1SB1808240101 遮阳装置 Solar protection devices



1SB1808210103 后视镜 Rearview mirror 1SB1808240101 遮阳装置 Solar protection devices

序号 No.	零件代号 Part No.	零件名称及规格.	Part Name and Specification	适用车型及用量 (件) Applied Models and Quantity (Piece)					
				用量 Qty.	车型 Models	用量 Qty.	车型 Model	用量 Qty.	车型 Model
	1SB1808240101	遮阳装置	Solar protection devices	1					
1	1B18082400010	左遮阳板安装总成	Left solar protection plate installation assy	1					
1.1	1B18082400001	左遮阳板总成	Left solar protection plate assy	1					
1.2	Q2714816F30	十字槽盘头自攻螺钉	Cross recessed pan head tapping screw	6					
1.3	1B24951200041	塑料螺母	Plastic nut	4					
2	1B18082400020	右遮阳板安装总成	Right solar protection plate installation assy	1					
2.1	1B18082400002	右遮阳板总成	Right solar protection plate assy	1					
	1SB1808210103	后视镜	Rear-view mirror	1					
3	1B18082100018	右外后视镜总成	Right exterior rear view mirror assembly	1	1069VCJEA-0ADA23				
4	Q174B0820	螺栓	Bolt	6	1069VCJEA-0ADA24				
5	Q40108	平垫圈	Flat washer	6	1069VCJEA-0ADA25				
6	Q40308	弹簧垫圈	Spring washer	6	1069VCJEA-0ADA26				
					1069VCJEA-0ADA28				
					1069VCJEA-0ADA30				
7	Q1800816T30	六角法兰面承面带齿螺栓	Hexagonal bolts with serrated flange	2					
8	1B18082100017	左外后视镜总成	Left exterior rear view mirror assembly	1					
9	1B18082100012	内视镜安装总成	Interior mirror installation assy	1					
9.2	Q2360616	十字槽盘头螺钉、弹垫和平垫组合件	Cross recessed pan head screw, spring cushion & flat washer assy	4					
9.1	1B18082100005	内视镜总成	Interior mirror assy	1					

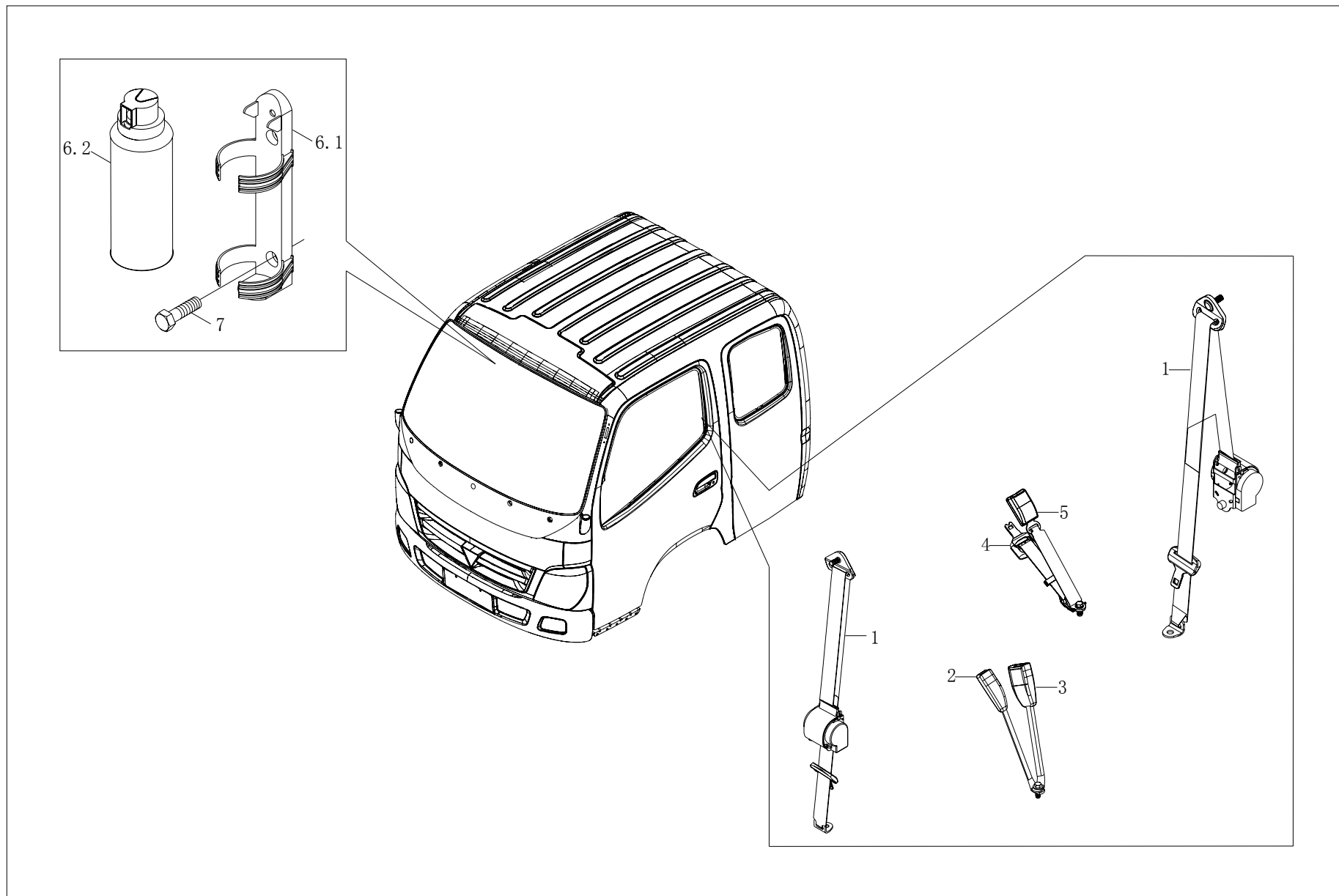
1SB1806810105 驾驶员座椅 Driver's seat 1SB2006910102 前排座椅 Front row seat



1SB1806810105 驾驶员座椅 Driver's seat 1SB2006910102 前排座椅 Front row seat

序号 No.	零件代号 Part No.	零件名称及规格.	Part Name and Specification	适用车型及用量 (件) Applied Models and Quantity (Piece)					
				用量 Qty.	车型 Models	用量 Qty.	车型 Model	用量 Qty.	车型 Model
	1SB1806810105	驾驶员座椅	Driver's seat						
1	1B18068100502	驾驶员座椅总成	Driver seat assy	1					
1.1	1B18068100503	驾驶员座椅靠背总成	Driver's seat back assy	1					
1.2	1B18068100404	驾驶员座椅坐垫总成	Driver's seat cushion assy	1					
1.3	1B18068100055	滑轨支架塑料壳	Plastic casing for slide rail bracket	2					
1.4	1B18068100006	驾驶员座椅调角器总成	Angle adjustor assy for driver's seat	1					
1.5	1B18068100025	左滑轨总成	Left rail assembly	1					
	1B18068100035	右滑轨总成	Right rail assembly	1					
2	Q1460825F30	六角头螺栓、弹簧垫圈 和平垫圈组合件	Hex head bolt, spring washer and flat washer assembly	4					
	1SB2006910102	前排座椅	Front row seat		1069VCJEA-0ADA23 1069VCJEA-0ADA24 1069VCJEA-0ADA25 1069VCJEA-0ADA26 1069VCJEA-0ADA28 1069VCJEA-0ADA30				
3	1B20069100102	副驾驶员座椅总成	Co-driver seat assy	1					
3.1	1B20069100103	副驾驶员座椅靠背总成	Co-driver's seat back assy	1					
3.2	1B20069100105	副驾驶员座坐垫总成	Co-driver seat cushion assy	1					
3.3	1B20069100104	副驾驶员座折叠靠背总成	Foldable back assy for Co-driver seat	1					
3.4	1B18069100006	副驾驶员座调角器总成	Angle adjustor assy for co-driver's seat	1					
3.5	1B18069100007	副驾驶员座中间支架总成	Intermediate bracket assy for co-driver seat	1					
3.6	1B18069100106	副驾驶员座锁扣手柄	Buckle handle for co-driver's seat	1					
4	Q40108F30	平垫圈	Flat washer	2					
5	Q340B08F30	1型六角螺母	Hexagon nut, type-1	2					
6	Q1460830F30	六角头螺栓、弹簧垫圈 和平垫圈组合件	Hex head bolt, spring washer and flat washer assembly	8					

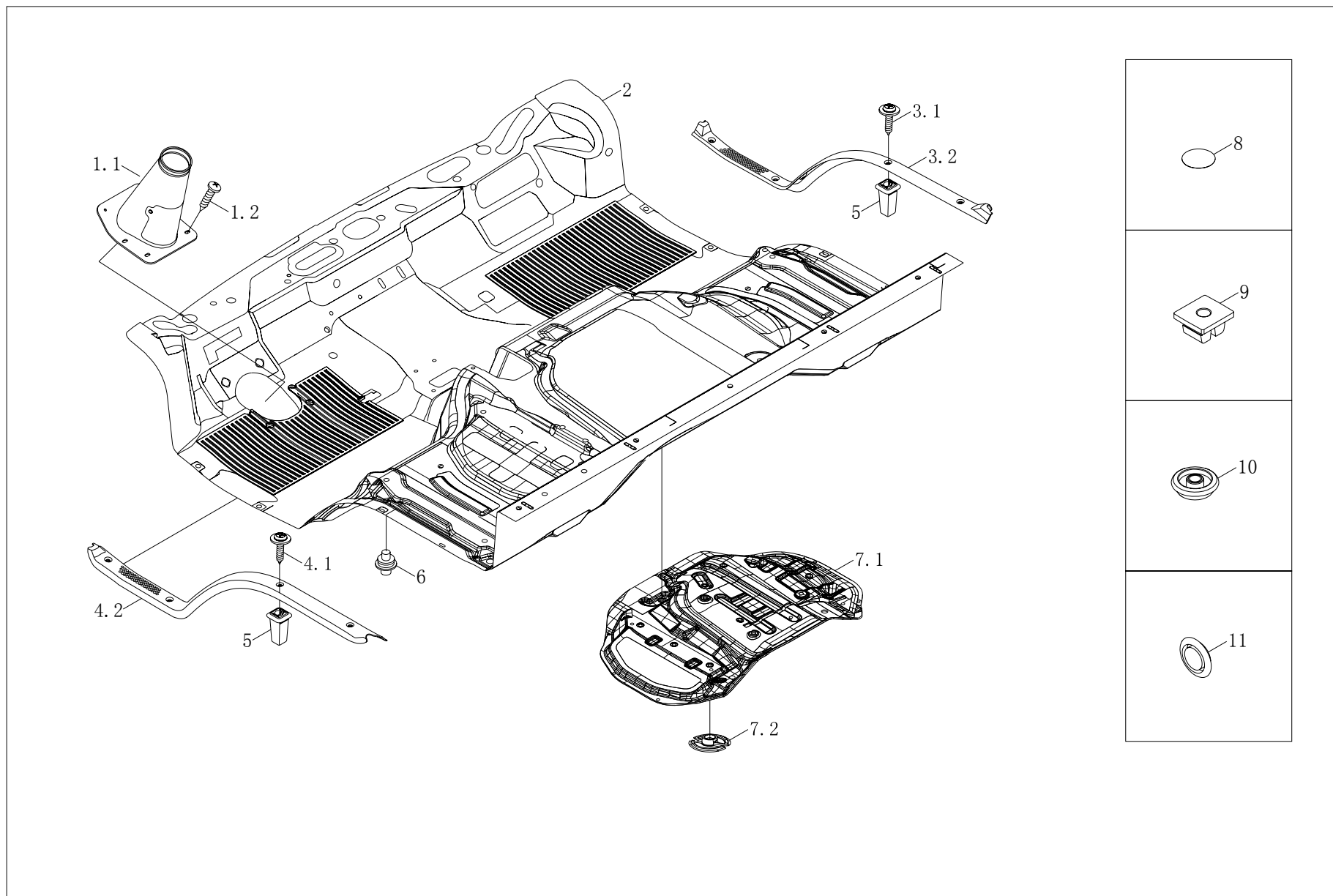
1SB1808220101 安全带 Safety belt 1SB1808250101 灭火器 Fire extinguisher



1SB1808220101 安全带 Safety belt 1SB1808250101 灭火器 Fire extinguisher

序号 No.	零件代号 Part No.	零件名称及规格. Part Name and Specification	用量 Qty.	适用车型及用量 (件) Applied Models and Quantity (Piece)					
				车型 Models	用量 Qty.	车型 Model	用量 Qty.	车型 Model	
	1SB1808220101	安全带	1						
	1SB1808250101	灭火器	1						
1	1B18082200001	正副司机座织带 卷收器总成	2						
2	1B18082200002	司机座锁扣总成	1						
3	1B18082200003	中间座锁扣总成	1						
4	1B18082200006	中间座织带	1						
5	1B18082200004	副司机锁扣总成	1						
6	1B18082500002	灭火器总成							
6.1	1B18082500004	灭火器托架	1	1069VCJEA-0ADA23					
6.2	1B18082500003	灭火器	1	1069VCJEA-0ADA24					
7	Q174B0820	螺栓	2	1069VCJEA-0ADA25					
				1069VCJEA-0ADA26					
				1069VCJEA-0ADA28					
				1069VCJEA-0ADA30					

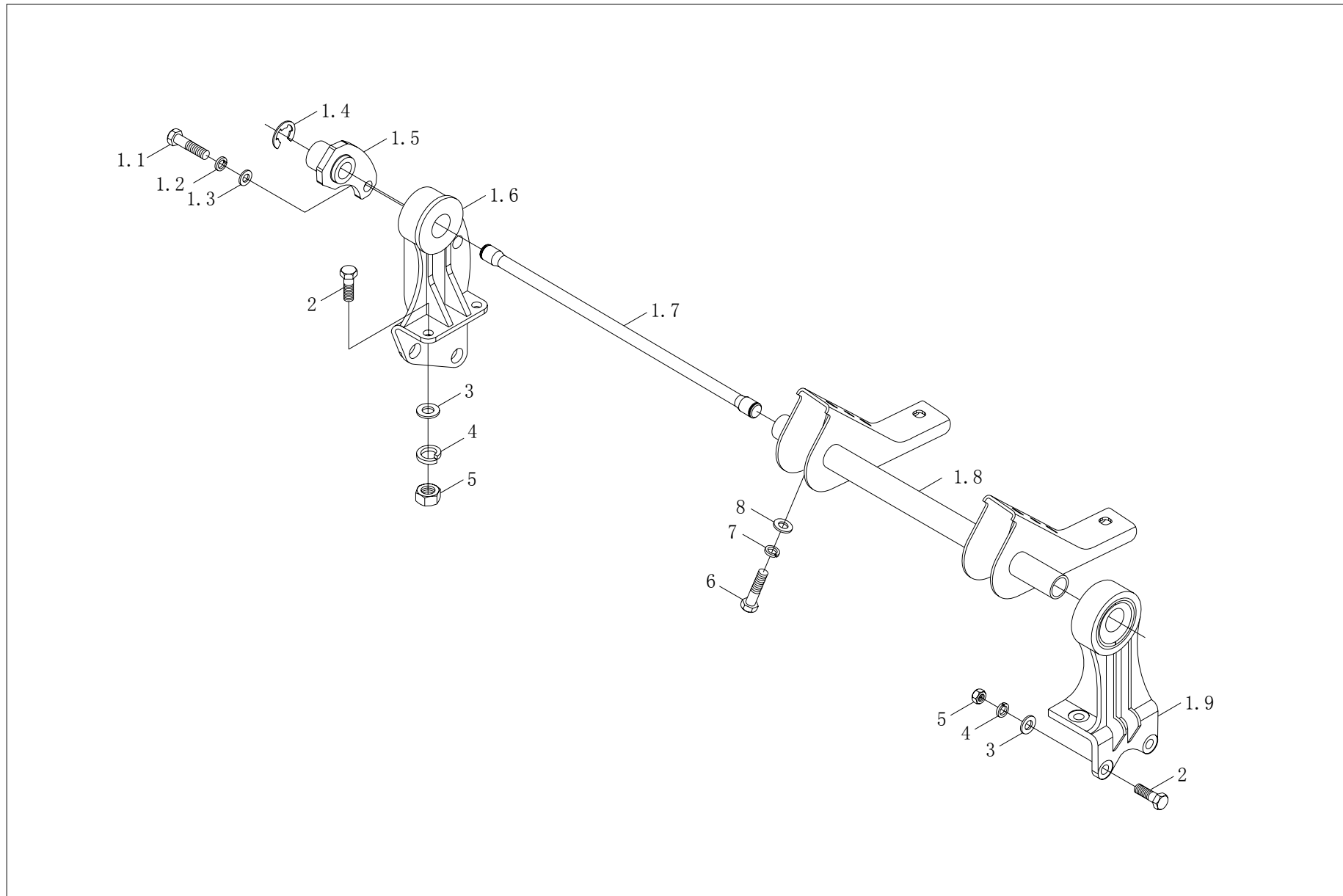
1SB2005120105、1SB2005120107 地板装饰件 Floor trim



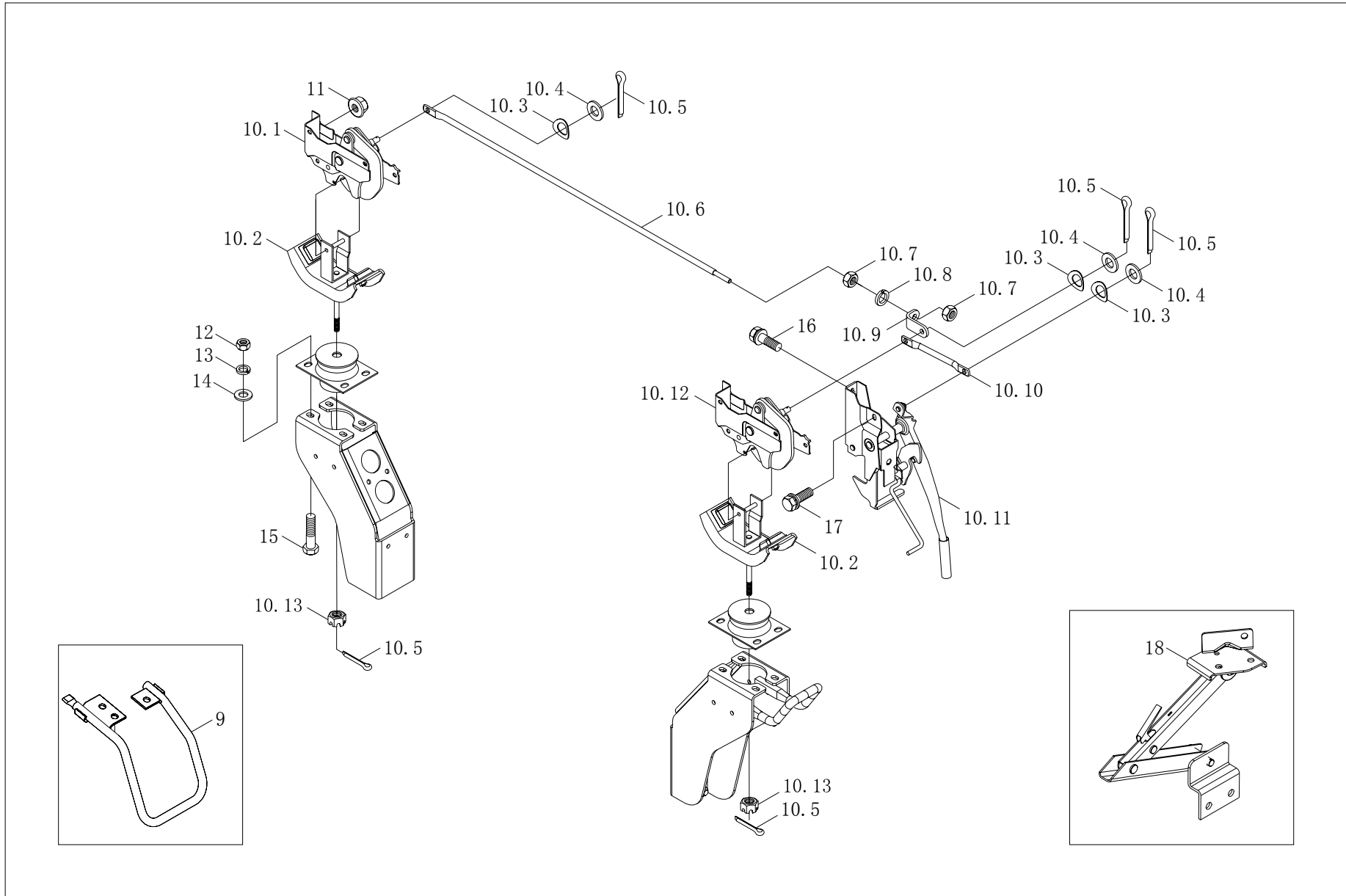
1SB2005120105、1SB2005120107 地板装饰件 Floor trim

序号 No.	零件代号 Part No.	零件名称及规格.	Part Name and Specification	适用车型及用量 (件) Applied Models and Quantity (Piece)										
				用量 Qty.	车型 Models	用量 Qty.	车型 Model	用量 Qty.	车型 Model					
	1SB2005120105	地板装饰件	Floor trim	1	1069VCJEA-0ADA23 1069VCJEA-0ADA24 1069VCJEA-0ADA28	1	1069VCJEA-0ADA25 1069VCJEA-0ADA26 1069VCJEA-0ADA30							
	1SB2005120107	地板装饰件	Floor trim											
1	1B18051200023	转向护罩安装总成	Steer shield installation assy	1										
1.1	1B18051200008	转向护罩总成	Steering cover assy	1										
1.2	Q2214822F30	十子槽盘头自攻螺钉	Cross recessed pan head tapping screws	6										
2	1B20051200102	地毯(整体)	Blanket(whole)	1										
3	1B18051200021	左地毯压条安装总成	Left blanket trim strip installation assy	1										
3.1	1B18053500168	大平头连接螺钉	Flat head connecting bolt	5										
3.2	1B18051200006	左地毯压条	Trim strip for left carpet	1										
4	1B18051200022	右地毯压条安装总成	Right blanket trim strip installation assy	1										
4.1	1B18053500168	大平头连接螺钉	Flat head connecting screw	5										
4.2	1B18051200007	右地毯压条	Trim strip for right carpet	1										
5	1B24951200041	塑料螺母	Plastic nut	16										
6	1B18051200005	地垫卡扣总成	Buckle assy for floor mat	10										
7	1B20051200018	发动机罩下隔热垫安装总成	Installation assy of insulating mat for engine bonnet	1										
7.1	1B20051200006	发动机罩下隔热垫	Lower insulating mat for engine bonnet	1										
7.2	1B18051200038	隔热垫卡扣 2	Insulating mat clip 2	12										
8	1B18054100091	密封膜 I	Sealing film I	21										
9	1B154512X0021	塑料螺母	Plastic nut	4										
10	1B18051200071	堵盖(Φ15)	Plug (Φ15)	4										
11	1B18051200078	堵盖(Φ22)	Plug (Φ22)	1										

1SB2005020113 车身翻转及锁止机构-1 Body turning and locking mechanism-1



1SB2005020113 车身翻转及锁止机构-2 Body turning and locking mechanism-2



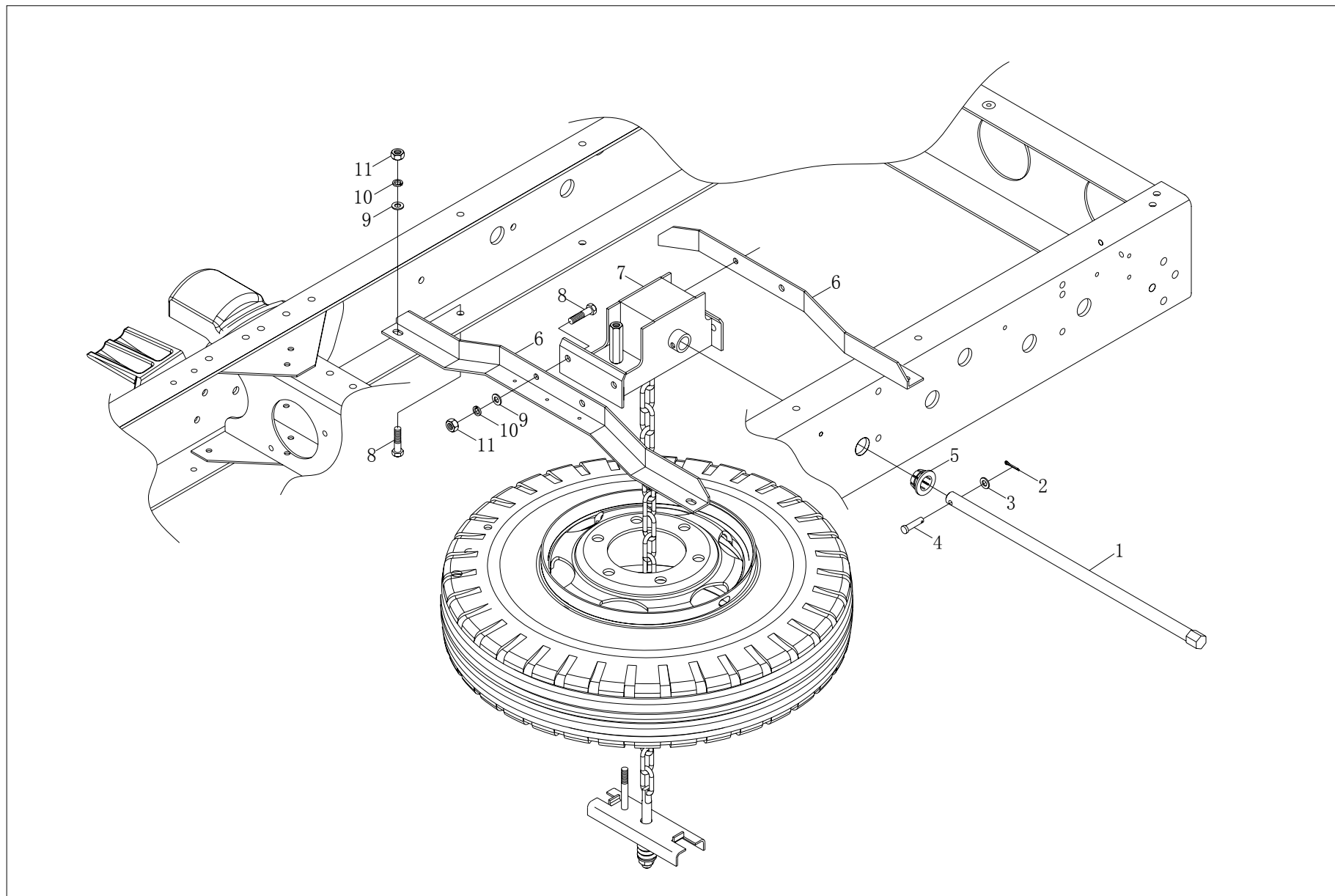
1SB2005020113 车身翻转及锁止机构 Body turning and locking mechanism

序号 No.	零件代号 Part No.	零件名称及规格.	Part Name and Specification	适用车型及用量 (件) Applied Models and Quantity (Piece)					
				用量 Qty.	车型 Models	用量 Qty.	车型 Model	用量 Qty.	车型 Model
	1SB2005020113	车身翻转及锁止机构	Body turning and locking mechanism						
1	1B20050200045	翻转机构总成(单排)	Turning mechanism assy (single row)	1					
1.1	Q150B1640F30	六角头螺栓	Hex head bolt	1					
1.2	Q40316F30	弹簧垫圈	Spring washer	1					
1.3	Q40116F30	平垫圈	Flat washer	1					
1.4	1B17850200079	挡圈	Circlip	1					
1.5	1B20050200036	限位板总成(单排)	Limit plate assy(single row)	1					
1.6	1B20050200048	右前支座总成	F.R supporting seat assy	1					
1.7	1B20050200033	扭杆弹簧(单排)	Torsion bar spring(single row)	1	1069VCJEA-0ADA23				
1.8	1B20050200027	前支撑横梁总成	Front support beam assembly	1	1069VCJEA-0ADA24				
1.9	1B20050200047	左前支座总成	F.L supporting seat assy	1	1069VCJEA-0ADA25				
2	Q150B1445TF30	六角头螺栓	Hex head bolt	8	1069VCJEA-0ADA26				
3	Q40114F30	平垫圈	Flat washer	8	1069VCJEA-0ADA28				
4	Q40514F30	重型弹簧垫圈	Heavy-duty spring washer	8	1069VCJEA-0ADA30				
5	Q340B14F30	1 型六角螺母	Hexagon nut, type-1	8					
6	Q150B1235TF30	六角头螺栓	Hex head bolt	6					
7	Q40512F30	重型弹簧垫圈	Heavy-duty spring washer	6					
8	L0502020005A0	支撑臂垫片	Supporting arm shim	6					
9	1B20050200080	拉手总成	Handle assembly	1					
10	1B20050200200	锁止机构总成	Locking mechanism assy	1					

1SB2005020113 车身翻转及锁止机构 Body turning and locking mechanism

序号 No.	零件代号 Part No.	零件名称及规格.	Part Name and Specification	适用车型及用量 (件) Applied Models and Quantity (Piece)					
				用量 Qty.	车型 Models	用量 Qty.	车型 Model	用量 Qty.	车型 Model
10.1	1B18050200210	右锁体总成	Right lock body assembly	1					
10.2	1B18050200211	托架总成	Bracket assembly	2					
10.3	Q41812	波形弹性垫片	Wave spring shim	1					
10.4	Q40112	平垫圈	Flat washer	3					
10.5	Q5002525	开口销	Cotter pin	5					
10.6	1B20050200214	长拉杆总成	Long rod assy	1					
10.7	Q340B08	1 型六角螺母	Hexagon nut, type-1	2					
10.8	Q40308	弹簧垫圈	Spring washer	1					
10.9	1B18050200223	连接板	Connecting plate	1					
10.10	1B18050200207	短拉杆	Short rod assy	1	1069VCJEA-0ADA23 1069VCJEA-0ADA24 1069VCJEA-0ADA25 1069VCJEA-0ADA26 1069VCJEA-0ADA28 1069VCJEA-0ADA30				
10.11	1B18050200202	操纵机构总成	Control mechanism assembly	1					
10.12	1B18050200209	左锁体总成	Left lock body assembly	1					
10.13	Q381B14	槽螺母	Slotted nut	2					
11	Q32008F30	六角法兰面螺母	Hex flange nut	8					
12	Q340B10F30	1 型六角螺母	Hexagon nut, type-1	11					
13	Q40310F30	弹簧垫圈	Spring washer	10					
14	Q40110F30	平垫圈	Flat washer	11					
15	Q150B1030F30	六角头螺栓	Hex head bolt	10					
16	Q1460830F30	六角头螺栓、弹簧垫圈 和平垫圈组合件	Hex head bolt, spring washer and flat washer assembly	2					
17	Q1461020F30	六角头螺栓组合件	Hexagon head bolt assy	1					
18	1B20050200025	撑杆总成	Support bar assembly	1					

1S10663150000 备胎架 Spare tire bracket

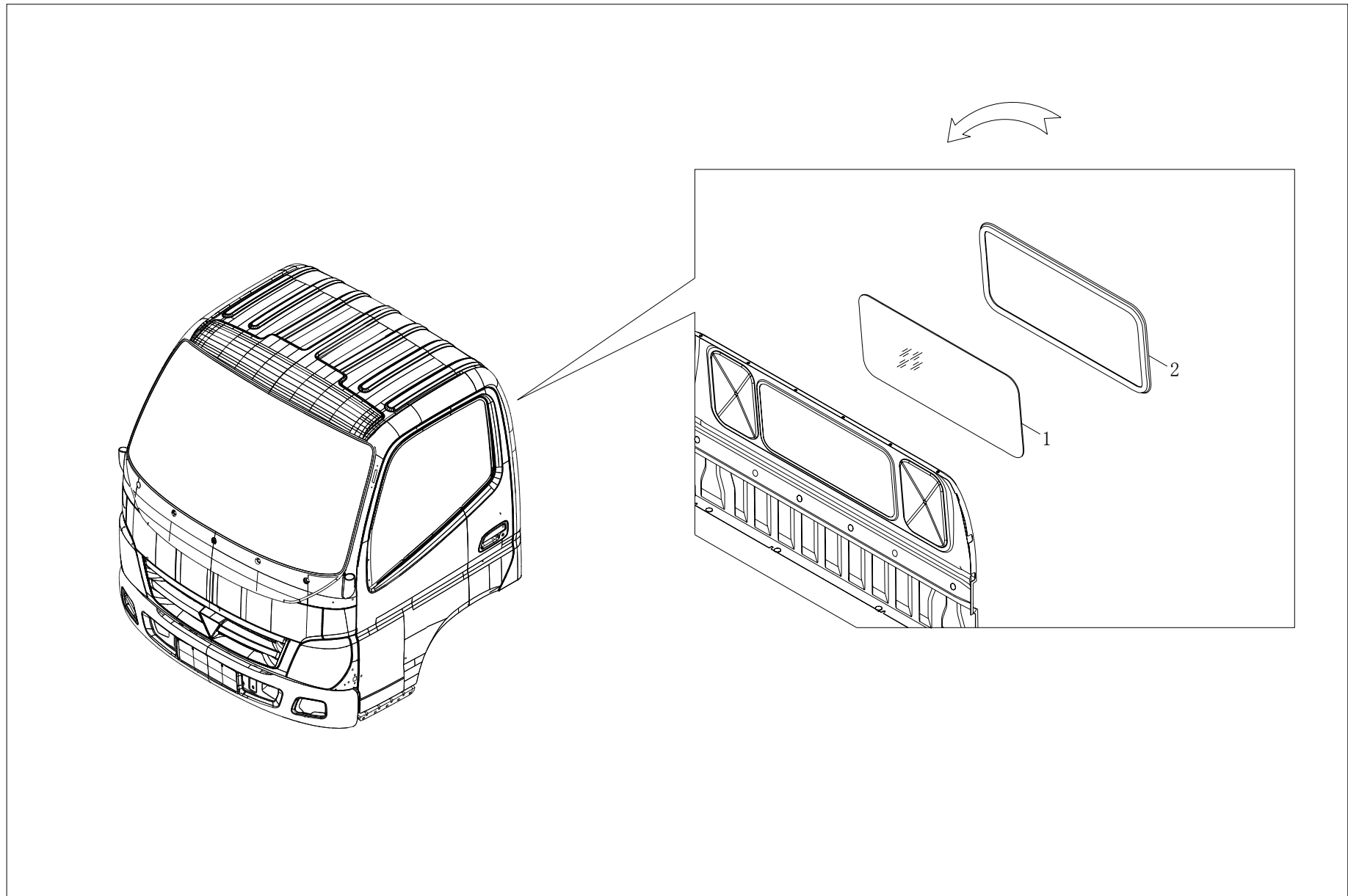


1S10663150000 备胎架 Spare tire bracket

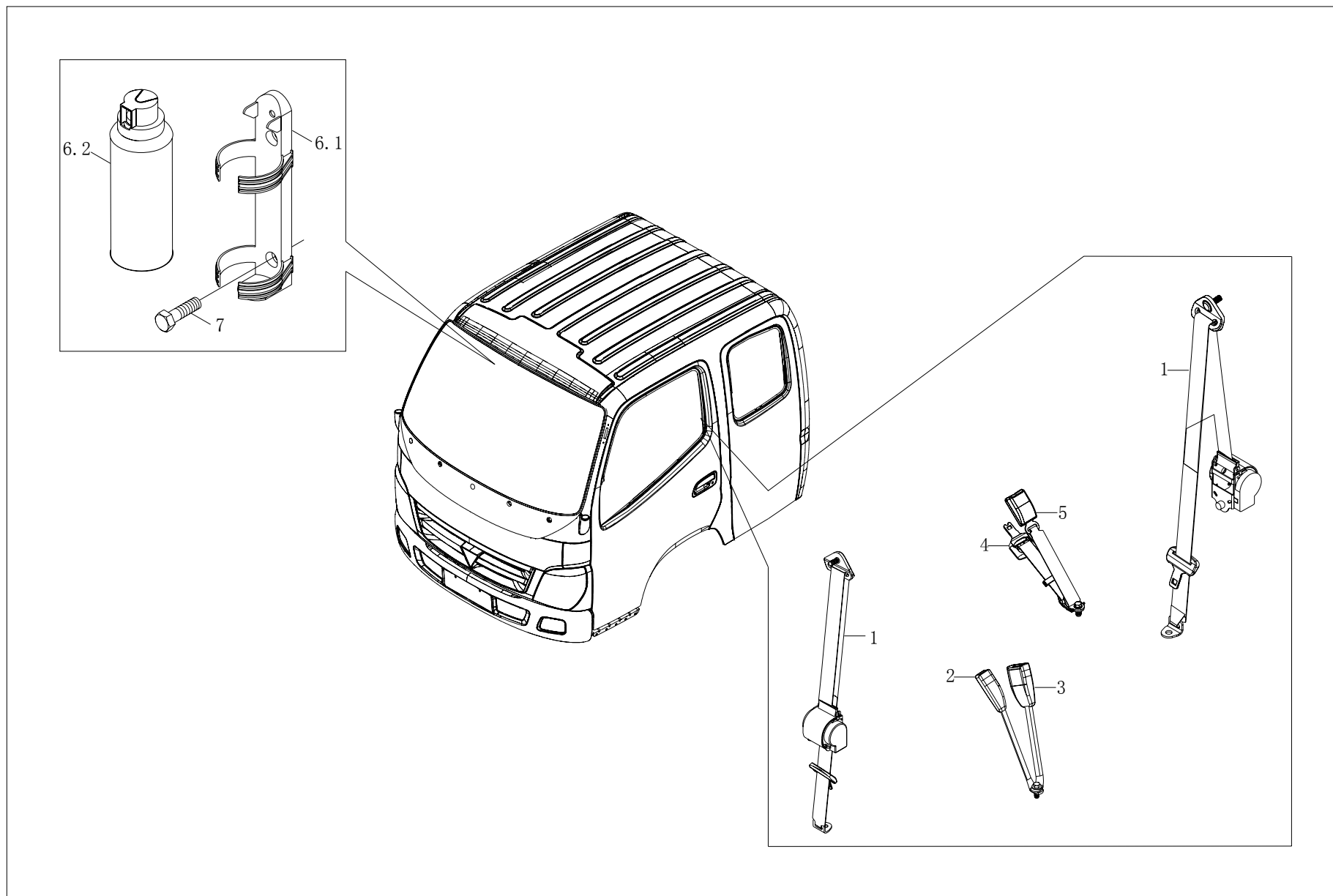
序号 No.	零件代号 Part No.	零件名称及规格. Part Name and Specification	适用车型及用量 (件) Applied Models and Quantity (Piece)						
			用量 Qty.	车型 Models	用量 Qty.	车型 Model	用量 Qty.	车型 Model	
	1S10663150000	备胎架	Spare tire bracket	1					
1	1106631500005	摇杆总成	Rocker assembly	1					
2	Q5002520	开口销	Cotter pin	1					
3	Q40108	平垫圈	Flat washer	1					
4	Q5100840	销轴	Pin shaft	1					
5	1106631500003	衬套	Bushing	1					
6	1106931500002	备胎固定梁	Fixed beam for spare tire	2					
7	1106931500001	备胎升降器总成	Spare tire lifter assembly	1					
8	Q150B1025Q	六角头螺栓	Hex head bolt	8					
9	Q40110	平垫圈	Flat washer	8	1069VCJEA-0ADA23				
10	Q40310	弹簧垫圈	Spring washer	8	1069VCJEA-0ADA24				
					1069VCJEA-0ADA25				
					1069VCJEA-0ADA26				
11	Q340B10	1 型六角螺母	Hexagon nut, type-1	8	1069VCJEA-0ADA28				
					1069VCJEA-0ADA30				



1SB2005610102 后围附件 Rear wall accessories



1SB1808450101 踏脚板 Pedal

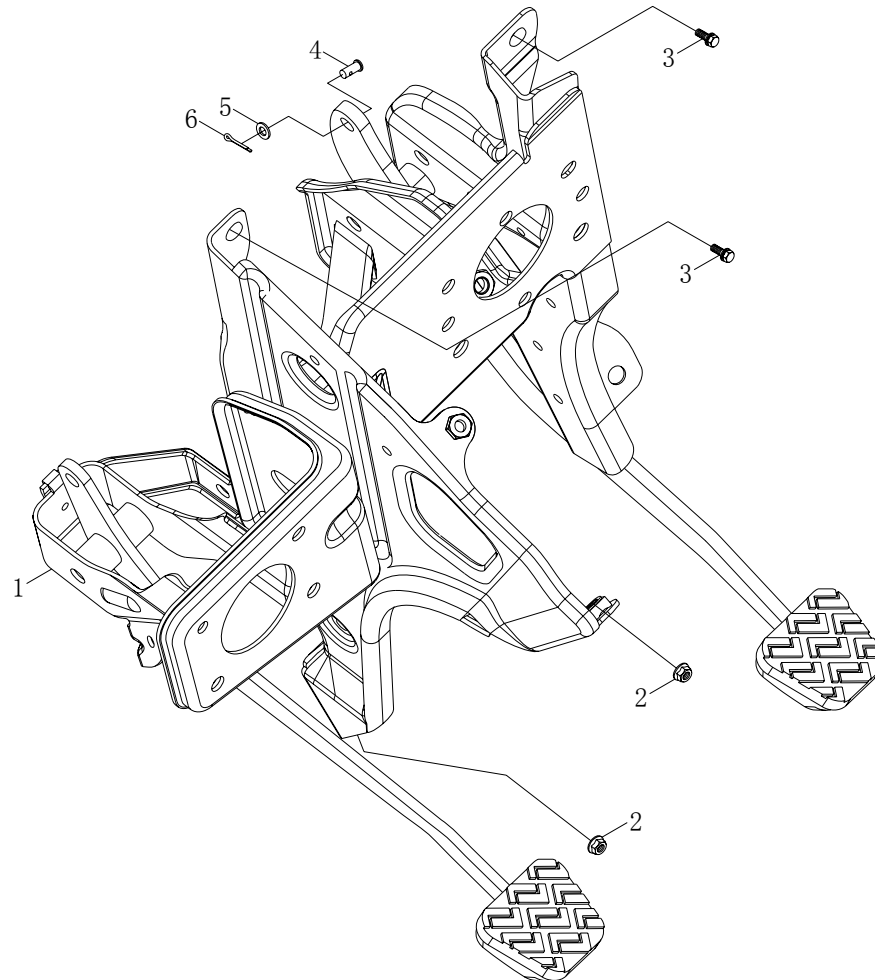


1SB1808450101 踏脚板 Pedal

序号 No.	零件代号 Part No.	零件名称及规格.	Part Name and Specification	适用车型及用量 (件) Applied Models and Quantity (Piece)					
				用量 Qty.	车型 Models	用量 Qty.	车型 Model	用量 Qty.	车型 Model
	1SB1808450101	踏脚板	Pedal						
1	Q1460825F30	六角头螺栓、弹簧垫圈 和平垫圈组合件	Hex head bolt, spring washer and flat washer assembly	8					
2	Q40208F30	大垫圈	Big washer	12					
3	Q1460830F30	六角头螺栓、弹簧垫圈 和平垫圈组合件	Hex head bolt, spring washer and flat washer assembly	4					
	1B18084500201	左前脚踏板总成	Front left pedal assy	1					
	1B18084500202	右前脚踏板总成	Front right pedal assy	1					
4	1B18084500031	左前脚踏板本体	Front left pedal body	1					
5	1B18084500033	右前脚踏板本体	Front right pedal body	1					
6	1B18084500023	左前脚踏板裙部	Front left pedal skirt	1	1069VCJEA-0ADA23 1069VCJEA-0ADA24 1069VCJEA-0ADA25 1069VCJEA-0ADA26 1069VCJEA-0ADA28 1069VCJEA-0ADA30				
7	1B18084500024	右前脚踏板裙部	Front right pedal skirt	1					
8	Q2140416	十字槽盘头螺钉	Cross recessed pan head screw	10					
9	Q40304	弹簧垫圈	Spring washer	10					
10	Q40104	平垫圈	Flat washer	10					



1S10433540103 踏板吊挂 Pedal hanger

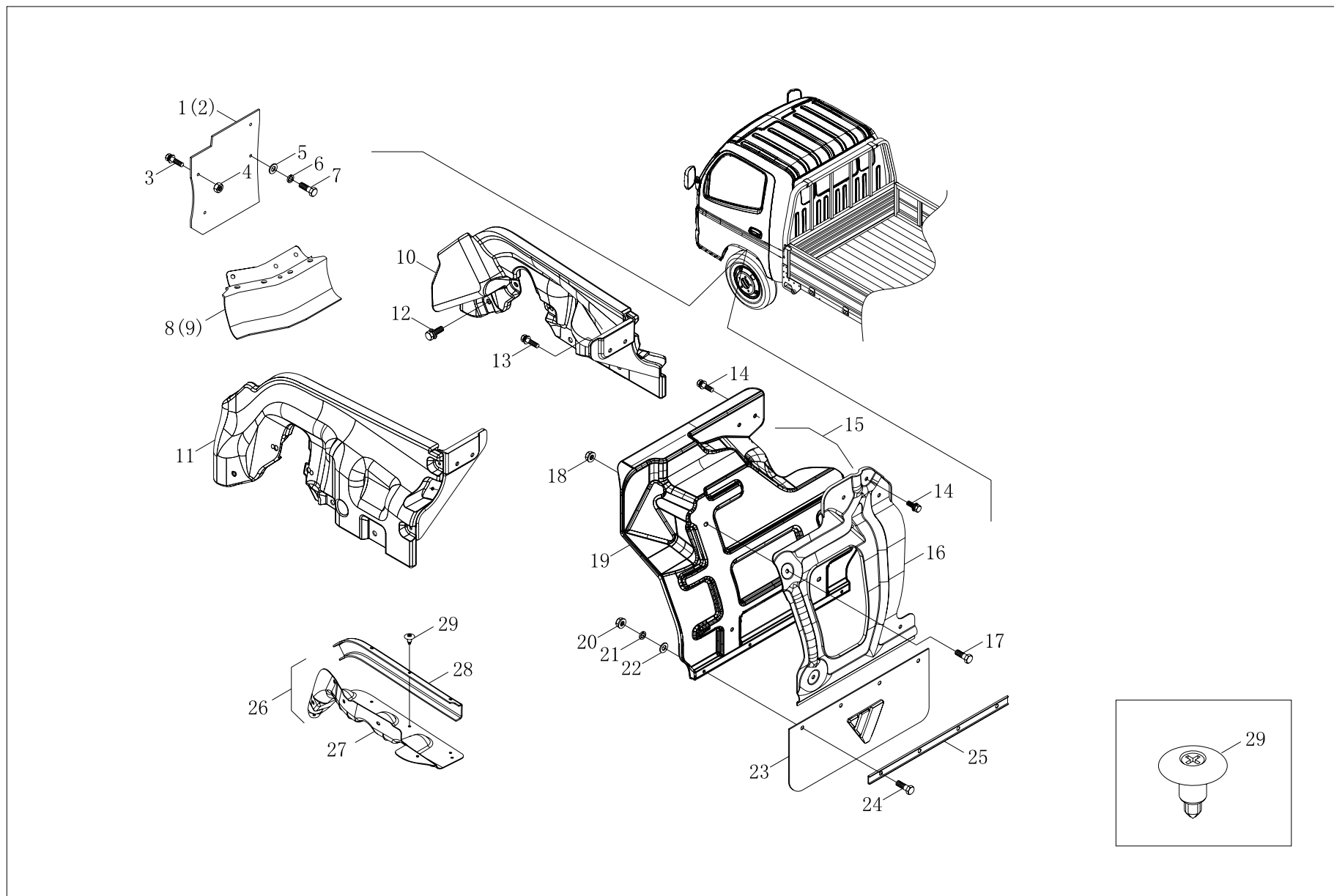


1S10433540103 踏板吊挂 Pedal hanger

序号 No.	零件代号 Part No.	零件名称及规格.	Part Name and Specification	适用车型及用量 (件) Applied Models and Quantity (Piece)					
				用量 Qty.	车型 Models	用量 Qty.	车型 Model	用量 Qty.	车型 Model
	1S10433540103	踏板吊挂	Pedal hanger						
1	1104335400002	制动离合踏板总成	Brake and clutch pedal assembly	1					
2	Q32010F30	六角法兰面螺母	Hex flange nut	2					
3	Q1460825F30	六角头螺栓、弹簧垫圈 和平垫圈组合件	Hex head bolt, spring washer and flat washer assembly	2					
4	Q5101026	销轴	Pin shaft	1					
5	Q40110	平垫圈	Flat washer	1					
6	Q5003218	开口销	Cotter pin	1					
					1069VCJEA-0ADA23				
					1069VCJEA-0ADA24				
					1069VCJEA-0ADA25				
					1069VCJEA-0ADA26				
					1069VCJEA-0ADA28				
					1069VCJEA-0ADA30				



1SB2008430101 车轮挡泥板 Wheel mudguard



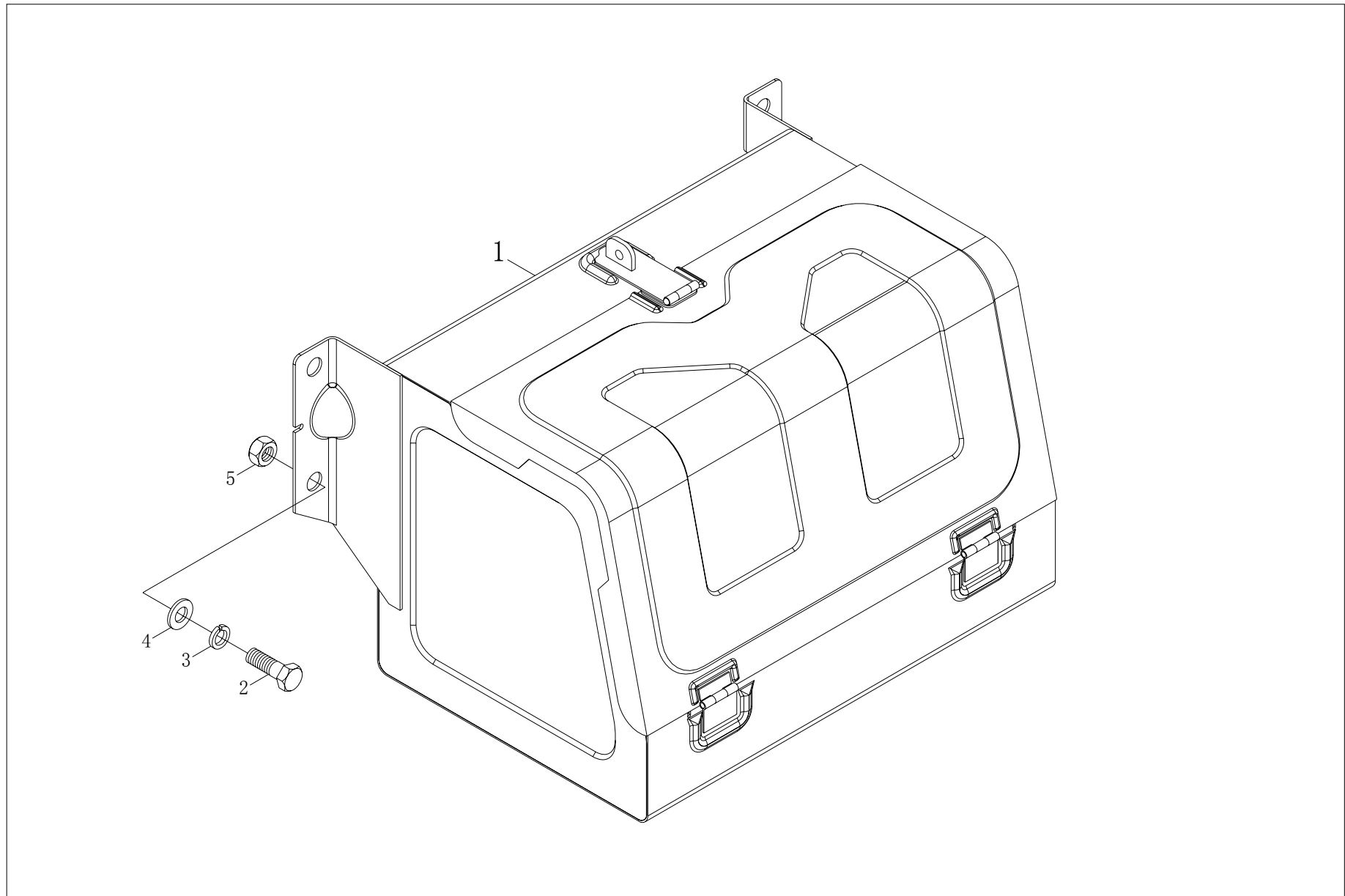
1SB2008430101 车轮挡泥板 Wheel mudguard

序号 No.	零件代号 Part No.	零件名称及规格.	Part Name and Specification	适用车型及用量 (件) Applied Models and Quantity (Piece)					
				用量 Qty.	车型 Models	用量 Qty.	车型 Model	用量 Qty.	车型 Model
	1SB2008430101	车轮挡泥板	Wheel mudguard						
	1B18084300164	左前轮前挡泥皮 安装总成	Front mudguard assy for left front wheel	1					
	1B18084300165	右前轮前挡泥皮 安装总成	Front mudguard assy for right front wheel	1					
1	1B18084300162	左前轮前挡泥皮	Front mudguard for left front wheel	1					
2	1B18084300163	右前轮前挡泥皮	Front mudguard for right front wheel	1					
3	Q1460825F30	六角头螺栓、弹簧 垫圈和平垫圈组合件	Hex head bolt, spring washer and flat washer assembly	2					
4	Q340B08F30	1 型六角螺母	Hexagon nut, type-1	2					
5	Q40206F30	大垫圈	Big washer	4					
6	Q40306F30	弹簧垫圈	Spring washer	4	1069VCJEA-0ADA23 1069VCJEA-0ADA24				
7	Q150B0616F30	六角头螺栓	Hex head bolt	4	1069VCJEA-0ADA25 1069VCJEA-0ADA26		1069VCJEA-0ADA23		1069VCJEA-0ADA23
8	1B18084300003	左延板	Left extrusion plate	1	1069VCJEA-0ADA28 1069VCJEA-0ADA30				
9	1B18084300004	右延板	Right extrusion plate	1					
10	1B20084300004	发动机右下挡泥板	Lower right mudguard for engine	1					
11	1B20084300003	发动机左下挡泥板	Lower left mudguard for engine	1					
12	Q1461025F30	六角头螺栓、弹簧 垫圈和平垫圈组合件	Hex head bolt, spring washer and flat washer assembly	6					
13	Q1460820F30	六角头螺栓、弹簧 垫圈和平垫圈组合件	Hex head bolt, spring washer and flat washer assembly	4					
14	Q1460816F30	六角头螺栓、弹簧 垫圈和平垫圈组合件	Hex head bolt, spring washer and flat washer assembly	5					
15	1B20084300037	左前轮后挡泥板总成	Rear mudguard for left front wheel	1					
	1B20084300038	右前轮后挡泥板总成	Rear mudguard for right front wheel	1					

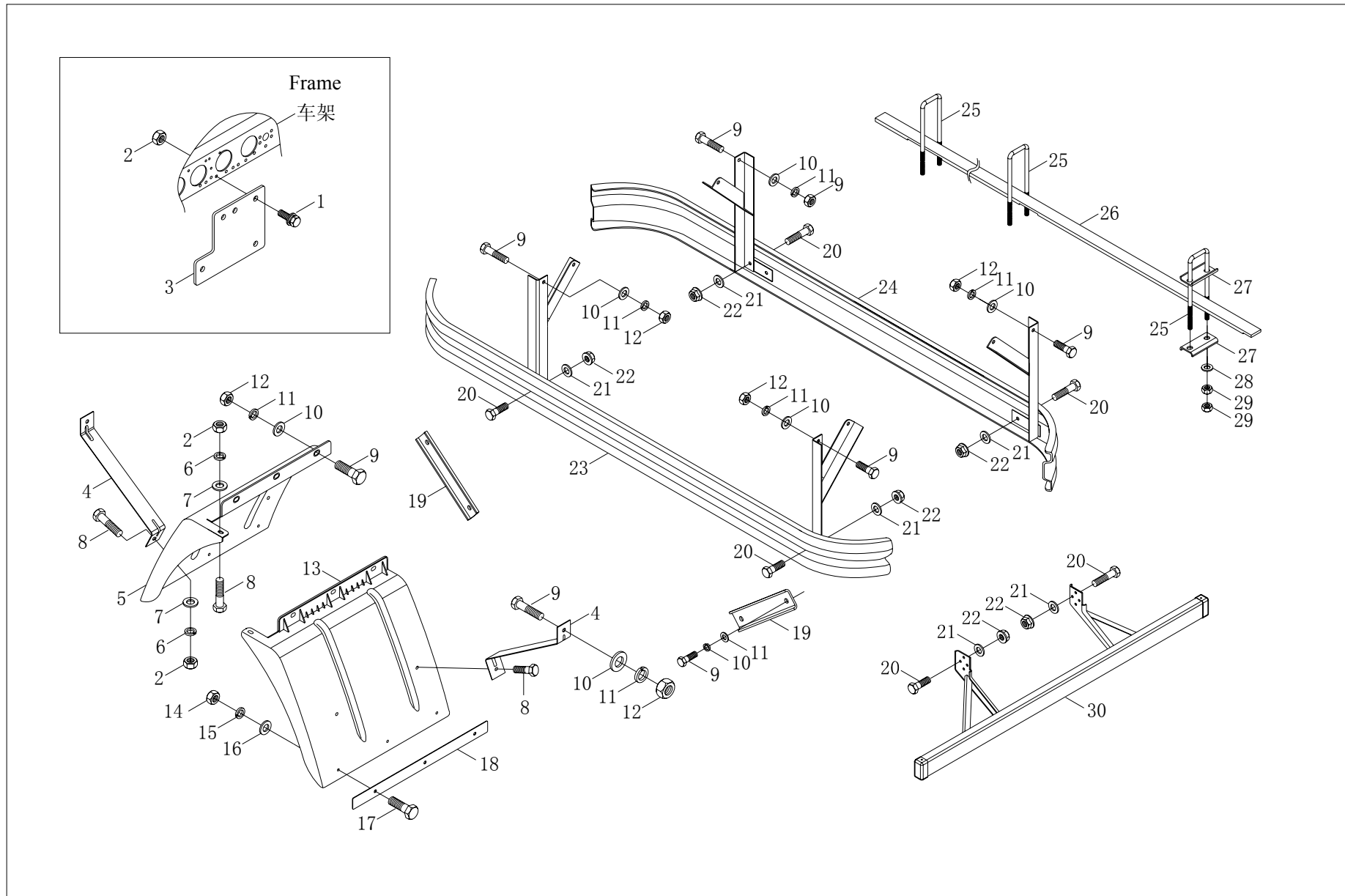
1SB2008430101 车轮挡泥板 Wheel mudguard

序号 No.	零件代号 Part No.	零件名称及规格.	Part Name and Specification	适用车型及用量 (件) Applied Models and Quantity (Piece)					
				用量 Qty.	车型 Models	用量 Qty.	车型 Model	用量 Qty.	车型 Model
16	1B20084300031	左前轮后挡泥板加强板	Rear reinforcement mudguard for left front wheel	1					
16	1B20084300032	右前轮后挡泥板加强板	Rear reinforcement mudguard for right front wheel	1					
17	Q150B0820F30	六角头螺栓	Hex head bolt	6					
18	Q32008F30	六角法兰面螺母	Hex flange nut	6					
19	1B20084300033	左前轮后挡泥板	Rear mudguard, left front wheel	1					
	1B20084300034	右前轮后挡泥板	Rear mudguard, right front wheel	1					
20	Q32006F30	六角法兰面螺母	Hex flange nut	8					
21	Q40306F30	弹簧垫圈	Spring washer	8					
22	Q40106F30	平垫圈	Flat washer	8					
23	1B20084300019	前轮防溅板	Splash board for front wheel	2	1069VCJEA-0ADA23				
24	Q150B0616F30	六角头螺栓	Hex head bolt	8	1069VCJEA-0ADA24				
25	1B20084300021	前轮防溅板压板	Pressure plate for splash board of front wheel	2	1069VCJEA-0ADA25				
26	1B20084300114	车身左挡泥板总成	Left mudguard assy for body	1	1069VCJEA-0ADA26				
	1B20084300118	车身右挡泥板总成	Right mudguard assy for body	1	1069VCJEA-0ADA28				
27	1B20084300005	发动机左上挡泥板	Upper left mudguard for engine	1	1069VCJEA-0ADA30				
	1B20084300006	发动机右上挡泥板	Upper right mudguard for engine	1					
28	1B20084300116	发动机左中连接板	Left middle connecting plate for engine	1					
	1B20084300120	发动机右中连接板	Right middle connecting plate for engine	1					
29	1B18084300062	卡扣总成—挡泥板	Buckle assy- mudguard	6					

1S10493920003 工具箱 Kits



1SB2008590035 货箱护栏及附件 Cargo body guard rail and accessories



1SB2008590035 货箱护栏及附件 Cargo body guard rail and accessories

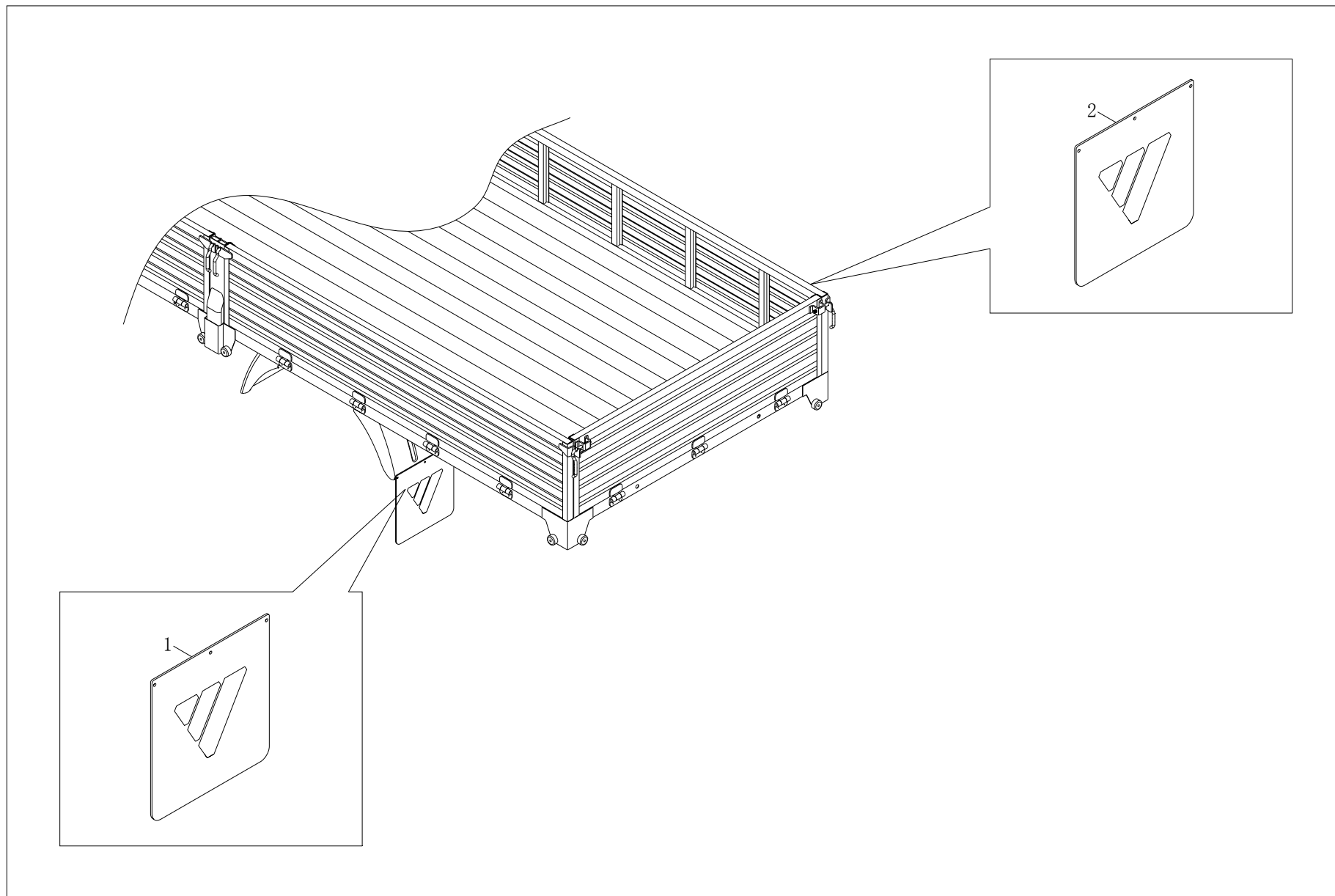
序号 No.	零件代号 Part No.	零件名称及规格.	Part Name and Specification	适用车型及用量 (件) Applied Models and Quantity (Piece)					
				用量 Qty.	车型 Models	用量 Qty.	车型 Model	用量 Qty.	车型 Model
	1SB2008590035	货箱护栏及附件	Cargo body guard rail and accessories						
1	Q1460820	六角头螺栓、弹簧垫圈和平垫组合件	Hexagon head bolt, spring washer and flat washer assembly part	8					
2	Q340B08	1 型六角螺母	Hexagon nut, type-1	20					
3	1B18037200007	后尾灯支架	Rear taillight bracket	2					
4	1B17885000803	挡泥板支撑	Mudguard support	8					
5	1B17885000869	左前挡泥板	F.L. mudguard	2					
6	Q40308	弹簧垫圈	Spring washer	12					
7	Q40108	平垫圈	Flat washer	12					
8	Q150B0820	六角头螺栓	Hex head bolt	12	1069VCJEA-0ADA23				
9	Q150B1030	六角头螺栓	Hex head bolt	28	1069VCJEA-0ADA24				
10	Q40110	平垫圈	Flat washer	28	1069VCJEA-0ADA25				
11	Q40310	弹簧垫圈	Spring washer	28	1069VCJEA-0ADA26				
12	Q340B10	1 型六角螺母	Hexagon nut, type-1	28	1069VCJEA-0ADA28				
13	1B17885000870	右前挡泥板	Right front mudguard	2	1069VCJEA-0ADA30				
14	Q340B06	1 型六角螺母	Hexagon nut, type-1	6					
15	Q40306	弹簧垫圈	Spring washer	6					
16	Q40106	平垫圈	Flat washer	6					
17	Q150B0620	六角头螺栓	Hex head bolt	6					
18	1B22085000013	防溅板压板	Pressure plate for splash board	2					
19	1B20085000011	拉板	Pull plate	4					

1SB2008590035 货箱护栏及附件 Cargo body guard rail and accessories

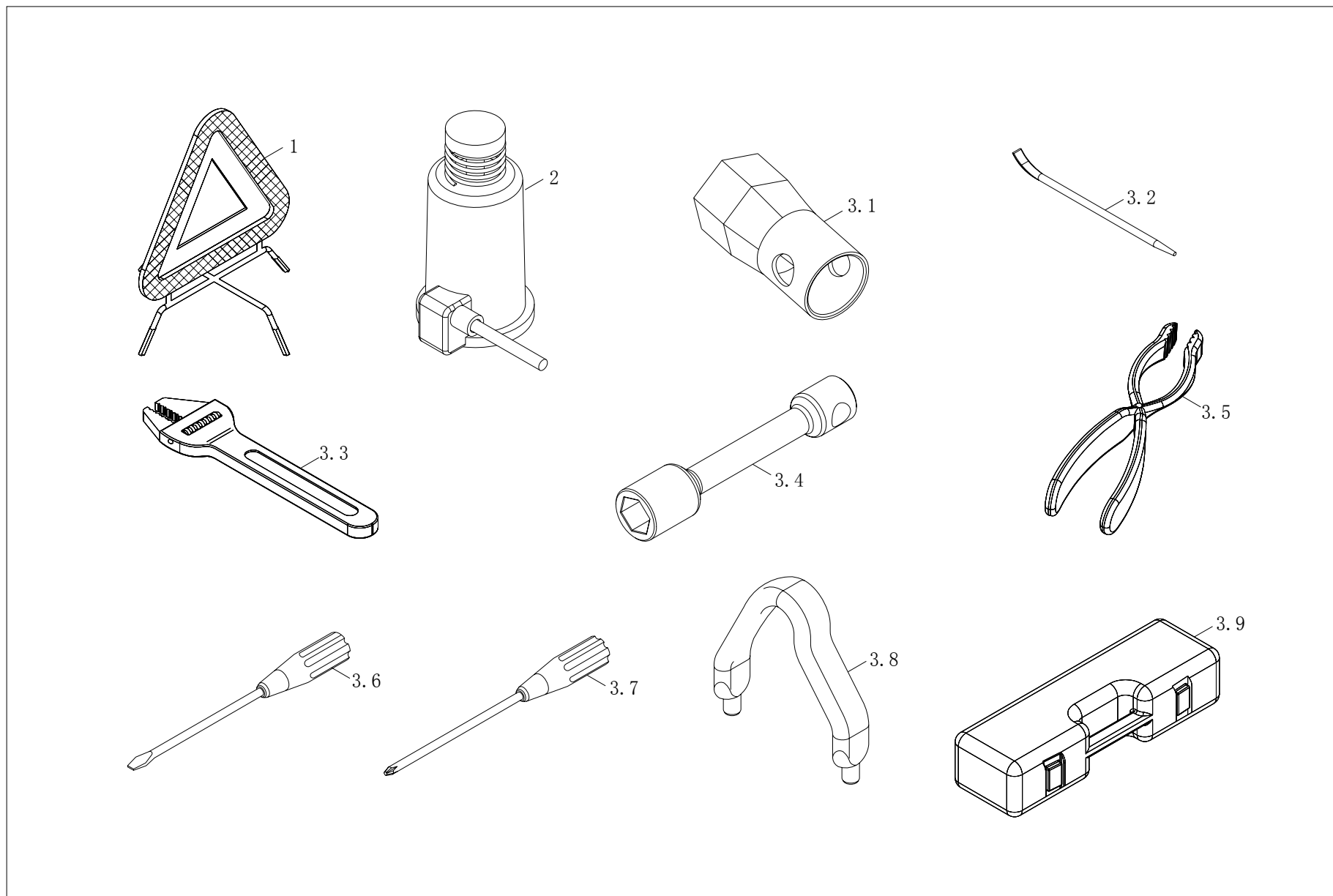
序号 No.	零件代号 Part No.	零件名称及规格.	Part Name and Specification	适用车型及用量 (件) Applied Models and Quantity (Piece)					
				用量 Qty.	车型 Models	用量 Qty.	车型 Model	用量 Qty.	车型 Model
20	Q150B1235TF3	六角头螺栓	Hex head bolt	14					
21	Q40112F30	平垫圈	Flat washer	14					
22	Q33012T13F3	全金属六角法兰面锁紧螺母	Prevailing torque type all-metal hexnut with flange	14					
23	L0859010171A0	左侧防护栏总成	Left guard rail assy	1					
24	L0859010172A0	右侧防护栏总成	Right guard rail assy	1					
25	1B17885001001	前骑马螺栓	Front "U" bolt	6					
26	1B20085000207	车厢垫木 (单排)	Compartment sleeper (single row)	2					
27	1B17885001003	骑马螺栓压板	"U" bolt pressure plate	12					
28	Q40114	平垫圈	Flat washer	12					
29	Q341B14	1 型六角螺母-细牙	1-type hexagon nut-fine thread	24					
30	1B20085900140	后防护栏总成	Rear guard rail assy	1					
					1069VCJEA-0ADA23				
					1069VCJEA-0ADA24				
					1069VCJEA-0ADA25				
					1069VCJEA-0ADA26				
					1069VCJEA-0ADA28				
					1069VCJEA-0ADA30				



1SB2008570112 货箱外包装 Cargo body outside packing



1S10663910101 随车工具及附件 Vehicle tools and accessories



1S10663910101 随车工具及附件 Vehicle tools and accessories

序号 No.	零件代号 Part No.	零件名称及规格.	Part Name and Specification	适用车型及用量 (件) Applied Models and Quantity (Piece)					
				用量 Qty.	车型 Models	用量 Qty.	车型 Model	用量 Qty.	车型 Model
	1S10663910101	随车工具及附件	Vehicle tools and accessories	1					
1	1102839100001	三角警告牌总成	Triangle warning plate assembly	1					
2	QYL10	千斤顶	Jack	1					
3	L0391020020A0	随车工具总成	Vehicle tools assembly	1					
3.1	1104339100003	前轴头扳手	Wrench of front axle head	1					
3.2	1106639100005	轮胎撬棒兼 套筒扳手柄	Tire lever and socket wrench handle	1					
3.3	NG1A200	活扳手	Monkey wrench	1					
3.4	NGT30×12.5L	轮胎套筒	Tire socket	1					
3.5	NGY200	鲤鱼钳	Slip-joint plier	1	1069VCJEA-0ADA23				
3.6	NGD100-2P	一字槽螺钉旋具	Screwdriver for slotted head screw	1	1069VCJEA-0ADA24				
3.7	NGS2150-2P	十字槽螺钉旋具	Screwdriver for cross- slotted head screw	1	1069VCJEA-0ADA25				
3.8	L0391050001A0	后轮毂轴承螺母扳手	Rear hub bearing nut	1	1069VCJEA-0ADA26				
3.9	1102939100001	随车工具袋	Vehicle tool kit bag	1	1069VCJEA-0ADA28				
					1069VCJEA-0ADA30				

警告! Warning!

- ☆ 严禁在热状态下立即打开散热器盖, 以免高压蒸汽喷出伤人。
Open the radiator cover immediately under the hot state, avoiding the high-pressure hot air spraying towards people and damage to people.
- ☆ 冷却系统内请务必加注防冻液(乙二醇基)
Please be sure to fill in the anti-freeze coolant for your cooling system (CHOH).

1

用户须知 User Guidelines

1. 车辆使用前请认真阅读随车附带的《使用说明书》和《保修手册》。
2. Before driving, please read carefully *User Manual and Maintenance Manual* of this vehicle.
3. 对装配国三发动机车辆, 启动时禁止踩油门, 踩油门可能会导致启动不顺利; 发动机采用电控燃油喷射系统, 严禁私自拆卸调整燃油喷射系统、传感器、电控单元ECU及相关线路; 电控单元及线束接头应避免淋雨或直接水洗; 电源正负极接反可能损坏电控系统; 当仪表盘上故障指示灯常亮时, 说明整车出现故障, 请及时到维修站由专业人员进行检修。
4. For the vehicle which has been installed with China III engine: stepping on the accelerator at the start of the vehicle is forbidden; The engine's control system is electronic fuel injection system, the dismantling or modifying of the fuel injection system, sensor, electronic control unit and ECU or related circuit are forbidden; The electronic control unit and harness connector should be avoided with rain or wash by water directly; Wrongly connecting the power positive or negative poles may cause the damage to the electronic control system; When the malfunction indicator is in constant lighting state on the dashboard, it means that the whole vehicle is in the malfunction state, please drive it to the repairing station to have it checked and repaired by the technician.
5. 请按说明书要求, 定期保养燃油系统及更换滤清器, 同时确保燃油品质。
6. Please do regular maintenance on fuel system and replacing the oil filter periodically, at the same time, please guarantee using the qualified fuel.
7. 请按规定的里程或时间到福田汽车特约服务站进行车辆的走合保养和定期保养, 否则视为您自动放弃保养权利。
8. Please have your vehicle maintained during running-in period and do the periodical maintenance at Foton authorized dealer shop within the vehicle service mileage or period, or, Foton treats as you giving up the right of maintenance.
9. 未按规定使用要求、超载或私自对车辆进行的加改装而引起的车辆损坏或失效, 福田公司将不予保修。
10. Foton will not repair for free for the vehicle's loss or malfunction caused by overload, or disassembling the vehicle or driving in a incorrect way.
11. 为不影响车辆使用寿命和行车安全, 请使用福田品牌配件及福田车辆对应的专用润滑油和制动液, 防止使用非品牌配件而造成车辆的损害或安全隐患。
12. In order to maintain the vehicle's life and vehicle's safety, please use parts specially made for Foton and the special lubrication oil and brake oil for the vehicle, avoiding the potential harms due to using inadequate parts.
13. 为保障制动系统安全可靠, 对气刹车型, 请及时排放储气筒内存水。
14. For the air-brake vehicle, please drain off the water inside the air-reserve tube timely in order to have a safety and reliable braking system.
15. 如果您在车辆的使用、维修和保养过程中遇到困难或不明之处, 请及时与福田公司客户服务中心联系
16. Please contact the Foton customer center whenever you have questions regarding driving the vehicle or the maintenance of the vehicle.
17. 24小时服务热线: 4008199199; 服务监督电话: 010-80722999
18. 24 hours hotline: 4008199199; Service supervision line: 010-80722999

2

警告: 空调系统处于高压之下, 必须由专业人员检测本系统, 维护不当可能造成人身伤害!
Warning: Air conditioning is under high pressure, this system must be checked by professional staff, harm or damage may be caused to human if not properly maintained.

注意: 制冷剂R-134a充注量: 只装前空调车型: (550±50)克
加装后空调车型: (800±50)克

Notices: Filling in amount of freezing liquid R-134a: only for vehicle with air-conditioner mounted front: (550±50)g
For vehicle with air-conditioner mounted rear: (800±50)g

空调系统冷冻油只能使用PAG100, 用量为:
只装前空调车型: 180ml (压缩机自带)
加装后空调车型: 补加 (55±5) ml

For the cooling and freezing oil of air-conditioning system, only PAG100 can be used, and the amount is:
For vehicle with air-conditioner mounted front: 180ml (with self-compressor)
For vehicle with air-conditioner mounted rear: refill (55±5)ml

每次在系统维修或加注制冷剂时适当补充冷冻
Filling in adequate amount of freezing and cooling oil when in system maintenance or when filling in the refrigerant.

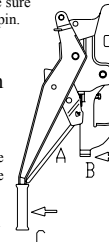
4

驾驶室举升步骤 The lifting procedure for driving cabin

- 1 打开锁紧钩"A", 解除锁止状态, 同时按箭头方向转动操纵手柄"C"。
1. Open the lock-tight hook "A", release the lock-in state, at the same time, turning the handle "C" following the arrow direction.
- 2 抓住驾驶室举升拉手, 同时打开安全锁钩"B"。
2. Grab the lifting handle in driving cabin, at the same time, open the safety lock hook "B".
- 3 升起驾驶室到最大位置, 确定撑杆确实锁止, 并插好保险销。
3. Lifting the driving cabin to its maximum position, be sure to lock firmly the stay bar, and insert well the safety pin.

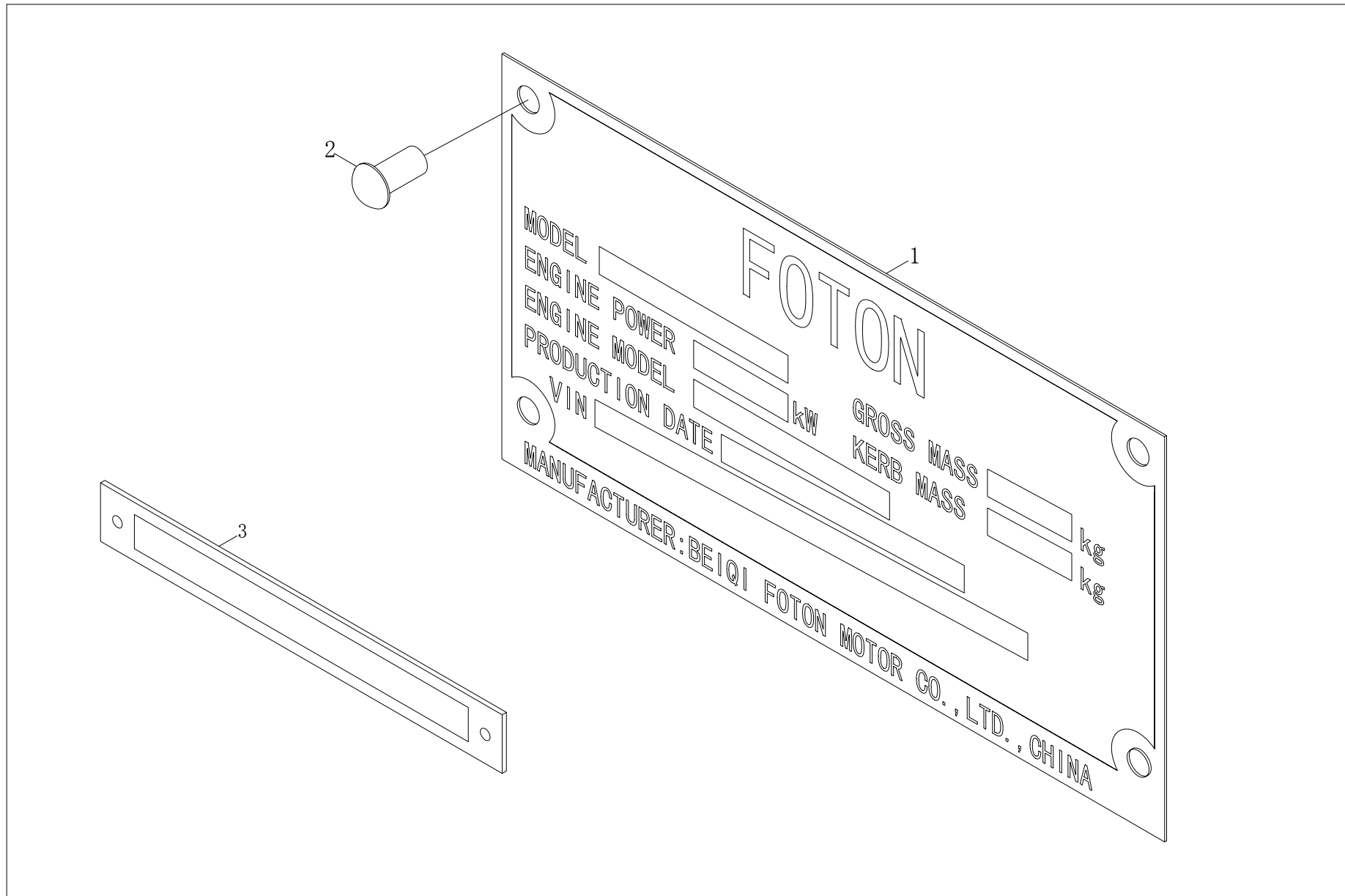
驾驶室下落步骤 The procedure for dropping the cabin

- 1 抓住驾驶室举升拉手, 取下撑杆保险销, 解除撑杆支撑状态。
 1. Grab the lifting handle of driving cabin, take off the safety pin of stay bar, release supporting state of the stay bar.
 - 2 向下拉动驾驶室, 直到安全锁钩"B"咬合。
 2. Pulling downward the driving cabin, until the safety lock hook "B" is engaged.
 - 3 向下转动操纵手柄"C", 直到与安全钩"A"咬合。
 3. Turning downward the handle "C", until engaged with safety hook "A".
- 注意: 请确认车辆停在水平路面上, 有足够操作空间。
拉紧驻车制动杆, 变速杆处于空挡位置。关紧车门, 驾驶室内不得留有易滑落物品。
- Notice: Be sure to park the vehicle in a horizontal and even road, enough space is guaranteed. Grip firmly the parking brake level, the gear shifting level is on neutral. Closed the door tightly, no slippery things is kept inside the driving cabin.



3

1S10493940214 铭牌 Nameplate





FOTON

FOTON INTERNATIONAL TRADE CO.,LTD,BEIJING
ADD:Shayang Road,Shahe Town Changping
District,Beijing,China
Tel:(+86-10)59912125
Email:Aftersale@Foton.com.cn
Zip code:102206
<http://www.foton.com.cn>