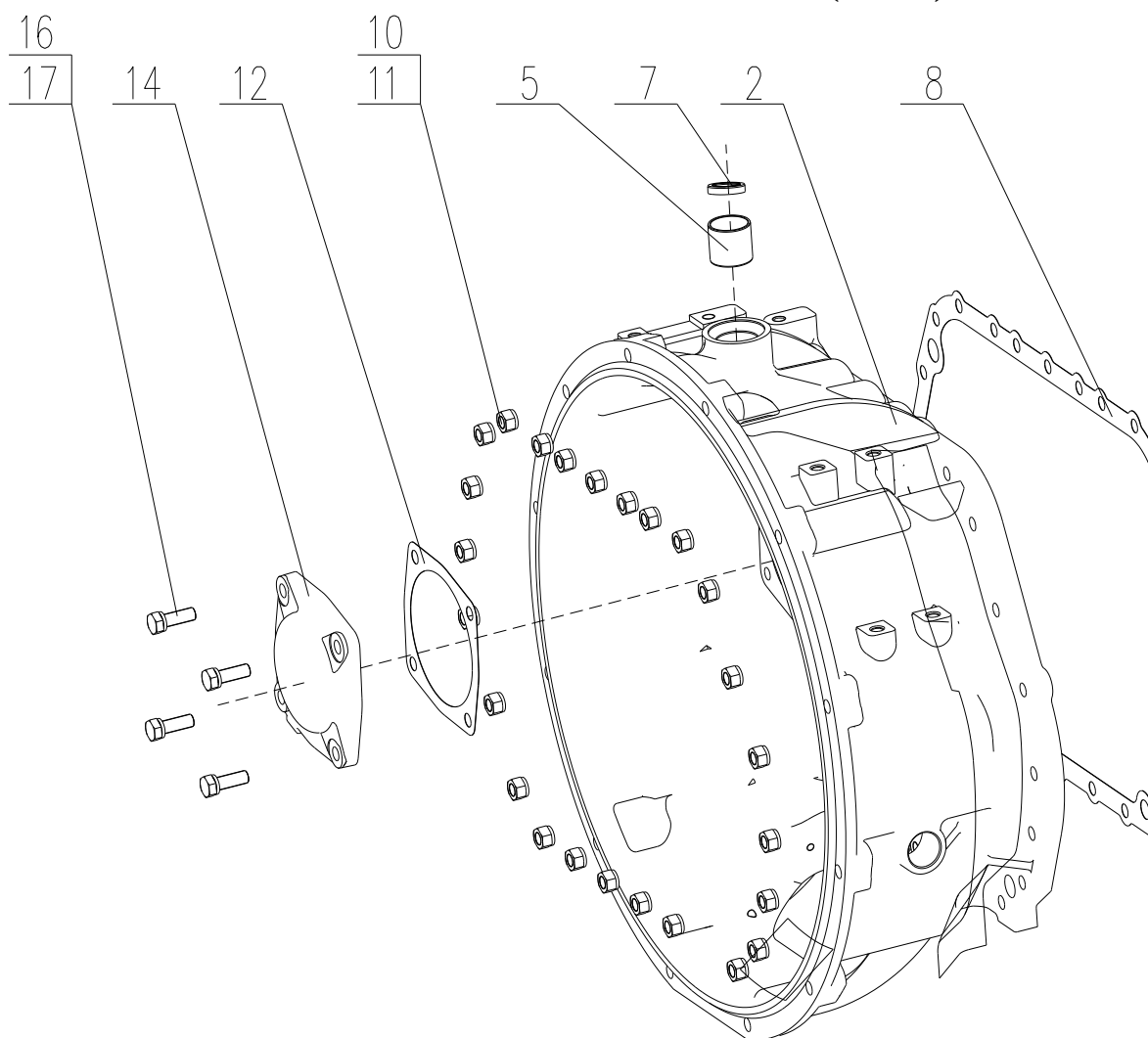
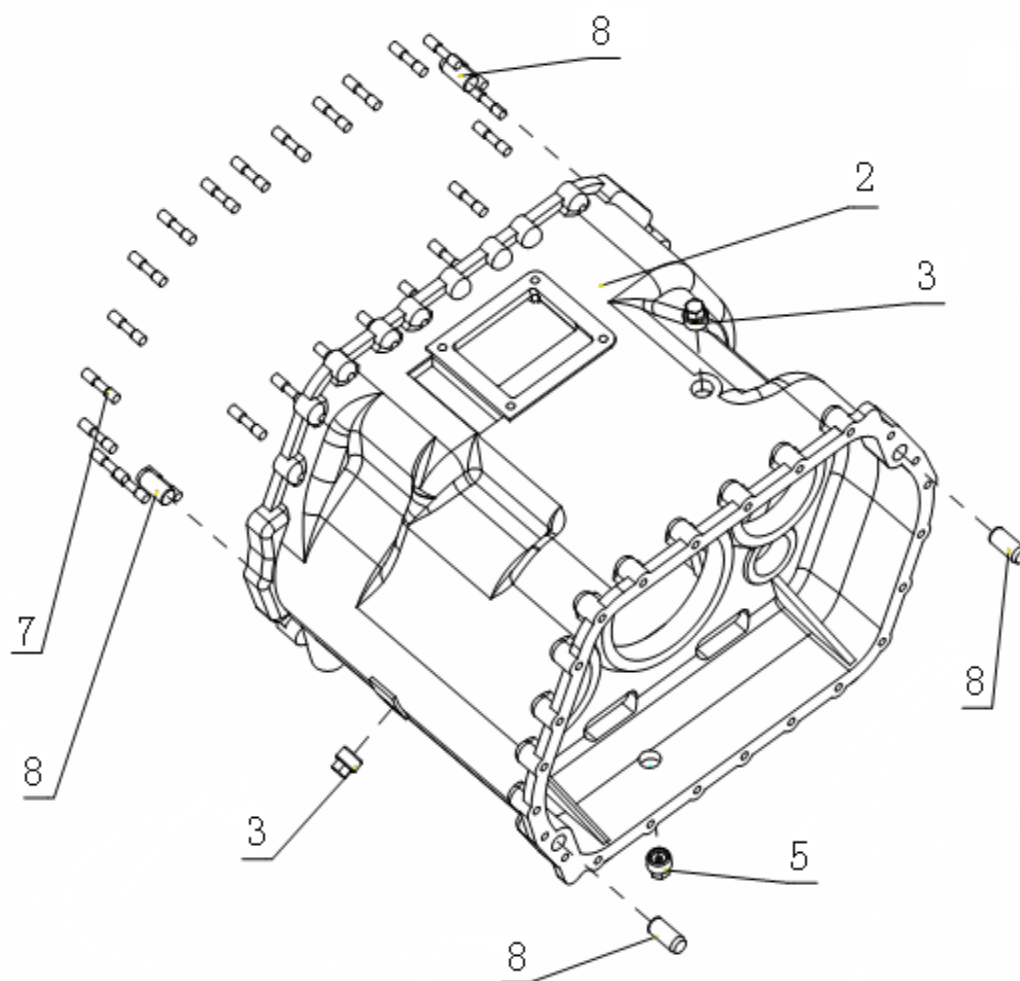


AC22120000101 变速器前壳组件(拉式)



Pos.	Number of part	Quantity	Standard specification	Designation	名称
2	AZ2220000203	1		Transmission front shell	变速器前壳
5	WG2229003030	1		Composite bushings (DX) 30 × 34 × 30	复合衬套 (DX) 30x34x30
7	AZ9003073001	1		Oil seal PS 30 45 8	骨架油封PS 30 45 8
8	WG2229000001	1		Transmission before the shell liner	变速器前壳衬垫
10	Q341B10	25		A type hexagon nuts - fine tooth	1型六角螺母-细牙
11	Q40310	25		Spring washer	弹簧垫圈
12	WG2229000002	1		Countershaft cover gasket	副轴端盖衬垫
14	WG2222000001	1		Countershaft cover	副轴端盖
16	Q150B1030	4		Hexagon head bolt	六角头螺栓
17	Q40310	4		Spring washer	弹簧垫圈

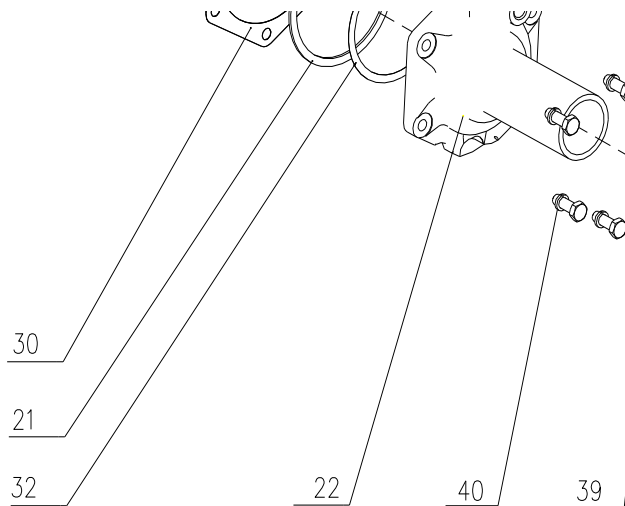
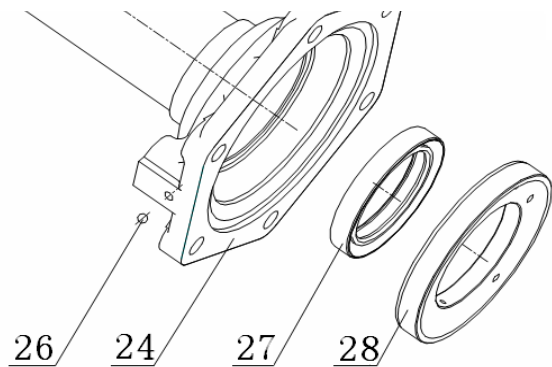
AC22120100102 变速器中壳组件



Pos.	Number of part	Quantity	Standard specification	Designation	名称
2	AZ2220010204	1		Transmission in the shell	变速器中壳
3	WG2229010002	1		Plug	螺塞
5	WG2203010002	1		Oil drain plug assembly	放油螺塞总成
7	Q1231035	25		Stud	柱头螺栓
8	WG2229010001	4		Locating Pins	定位销

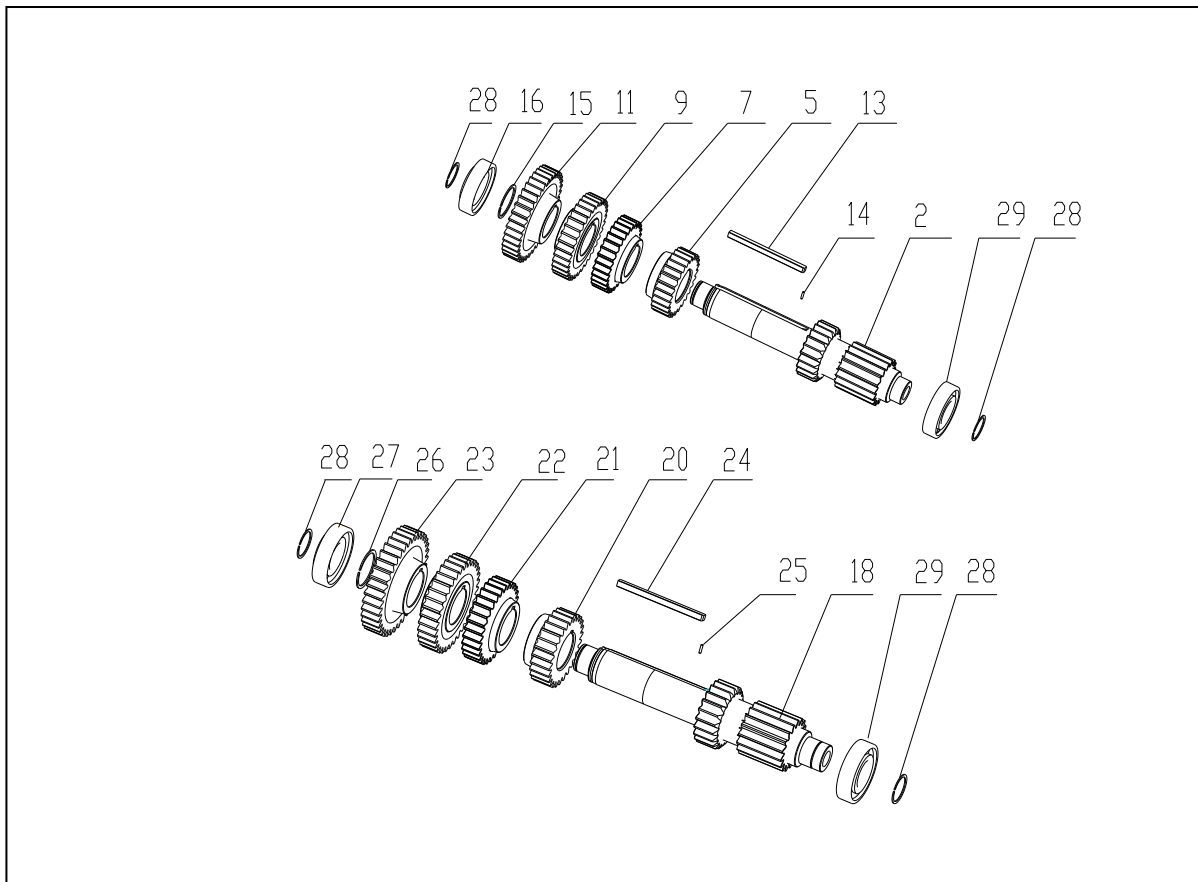
AC22120200103 输入轴及端盖组件





Pos.	Number of part	Quantity	Standard specification	Designation	名称
3	AZ2210020105	1		Input shaft	输入轴
5	WG2229020005	1		Bush	衬套
7	AZ2210020156	1		A shaft gear	一轴齿轮
10	WG2229040003	1		Kahuang	卡簧
12	WG2229040103	1		Spacer	隔套
14	AZ9003326213	1		Rolling 6213N- GB/T276 Kahuang	滚动轴承6213N-GB/T276 卡簧
15	AZ2208020001	1		group selected pieces	卡簧选用件组
21	AZ9003990120	1		Snap ring 120/129.7- GB305	止动环120/129.7-GB305
22	AZ2203020108	1		Input shaft cover and guide the oil ring assembly	输入轴端盖及导油环总成
24	WG2222020001	1		Input shaft cover Ball	输入轴端盖
26	AZ9003335500	1		5.500G200b GB308	钢球 5.500G200b GB308
27	AZ9003070055	1		Oil seal PS 55 75 12	骨架油封PS 55 75 12
28	WG2229020007	1		Guide oil ring	导油环
30	WG2229020008	1		Input shaft cover paper pad	输入轴端盖纸垫
32	AZ2208020002	1		Enter the bearing adjusting shim group	输入轴承调整垫片组
39	Q150B1030	5		Hexagon head bolt	六角头螺栓
40	Q40310	5		Spring wa	弹簧垫圈

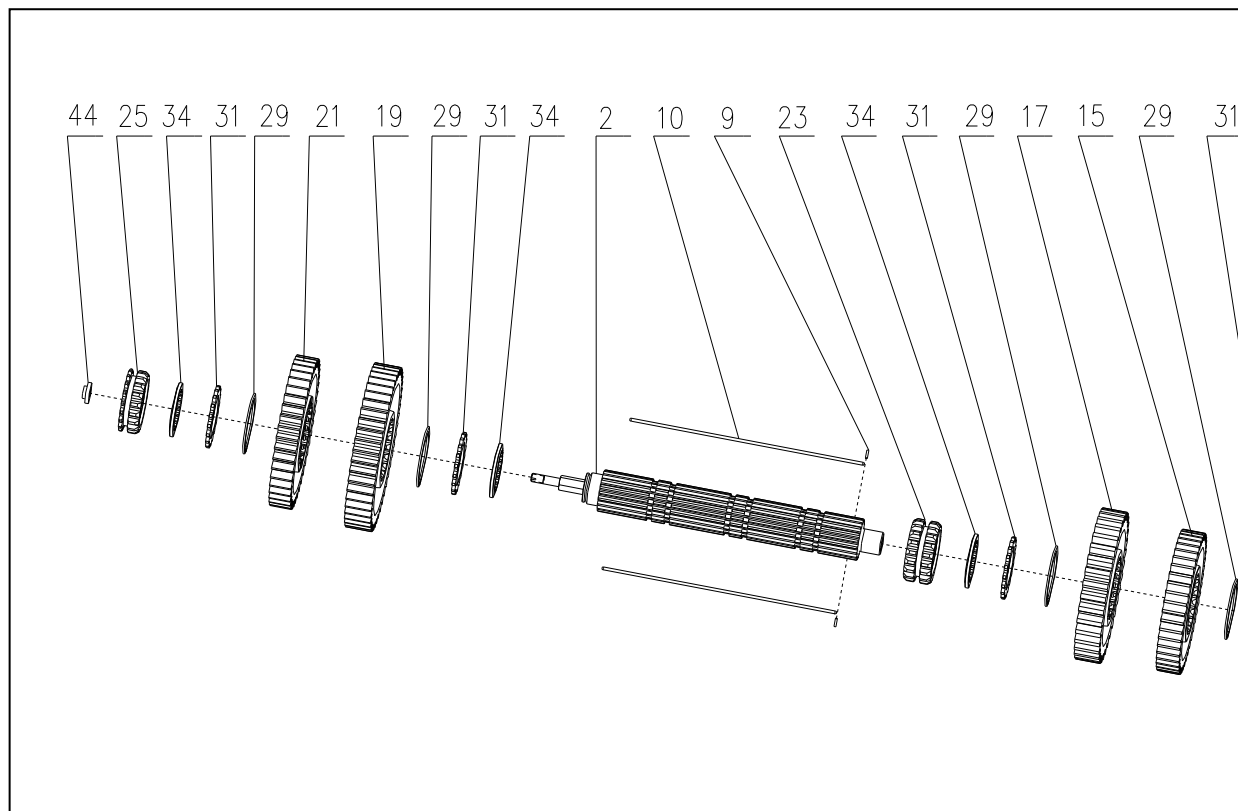
AC22120300102 副轴组件



Pos.	Number of part	Quantity	Standard specification	Designation	名称
2	AZ2210030050	1		Countershaft (left)	副轴 (左)
5	AZ2210030153	1		Countershaft three-speed gear	副轴三挡齿轮
7	AZ2210030154	1		Countershaft gear Si Dang	副轴四挡齿轮
9	AZ2210030155	1		Five-speed countershaft gear	副轴五挡齿轮
11	AZ2210030156	1		Countershaft drive gear	副轴传动齿轮
13	AZ2229030002	1		Long flat keys	长平键
14	Q5280514	1		Flexible cylindrical pin	弹性圆柱销
15	Q43160	1		Shaft circlip	轴用弹性挡圈
16	AZ9003329309	1		Cylindrical roller bearings NUP309E (with groove)	圆柱滚子轴承NUP309E (带止动槽)
18	AZ2210030051	1		Countershaft (R)	副轴(右)
20	AZ2210030153	1		Countershaft three-speed gear	副轴三挡齿轮
21	AZ2210030154	1		Countershaft gear Si Dang	副轴四挡齿轮

22	AZ2210030155	1		Five-speed countershaft gear	副轴五挡齿轮
23	AZ2210030156	1		Countershaft drive gear	副轴传动齿轮
24	AZ2229030002	1		Long flat keys	长平键
25	Q5280514	1		Flexible cylindrical pin	弹性圆柱销
26	Q43160	1		Shaft circlip	轴用弹性挡圈
27	AZ9003329309	1		Cylindrical roller bearings NUP309E (with groove)	圆柱滚子轴承NUP309E (带止动槽)
28	Q43145	4		Shaft circlip	轴用弹性挡圈
29	AZ9003320309	2		Cylindrical roller bearings NUP309E	圆柱滚子轴承NUP309E
30	AZ9003990100	2		Snap ring 100/106.5-GB305	止动环100/106.5-GB305

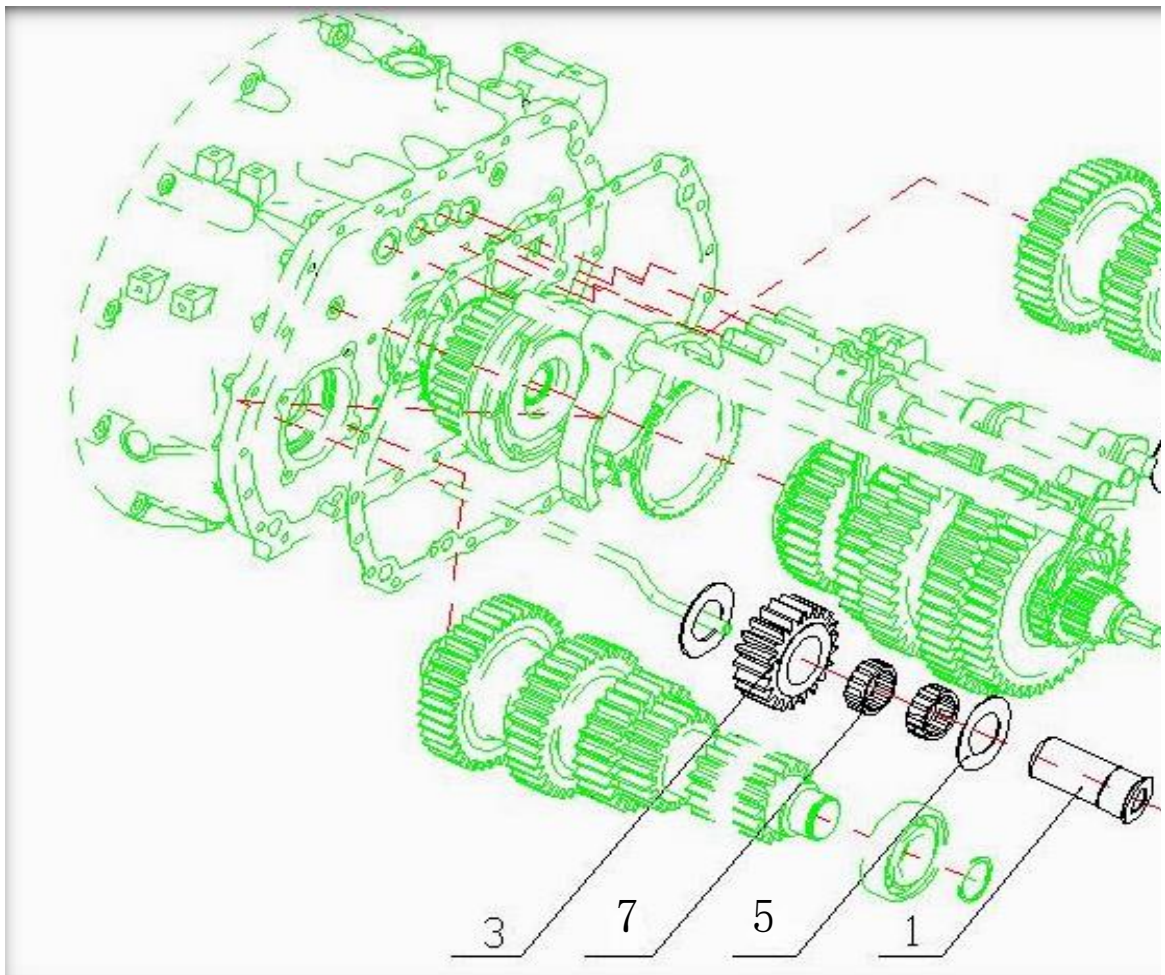
AC22120400102 主轴组件



Pos.	Number of part	Quantity	Standard specification	Designation	名称
2	AZ2203040003	1		Spindle ball head assembly	主轴带球头总成

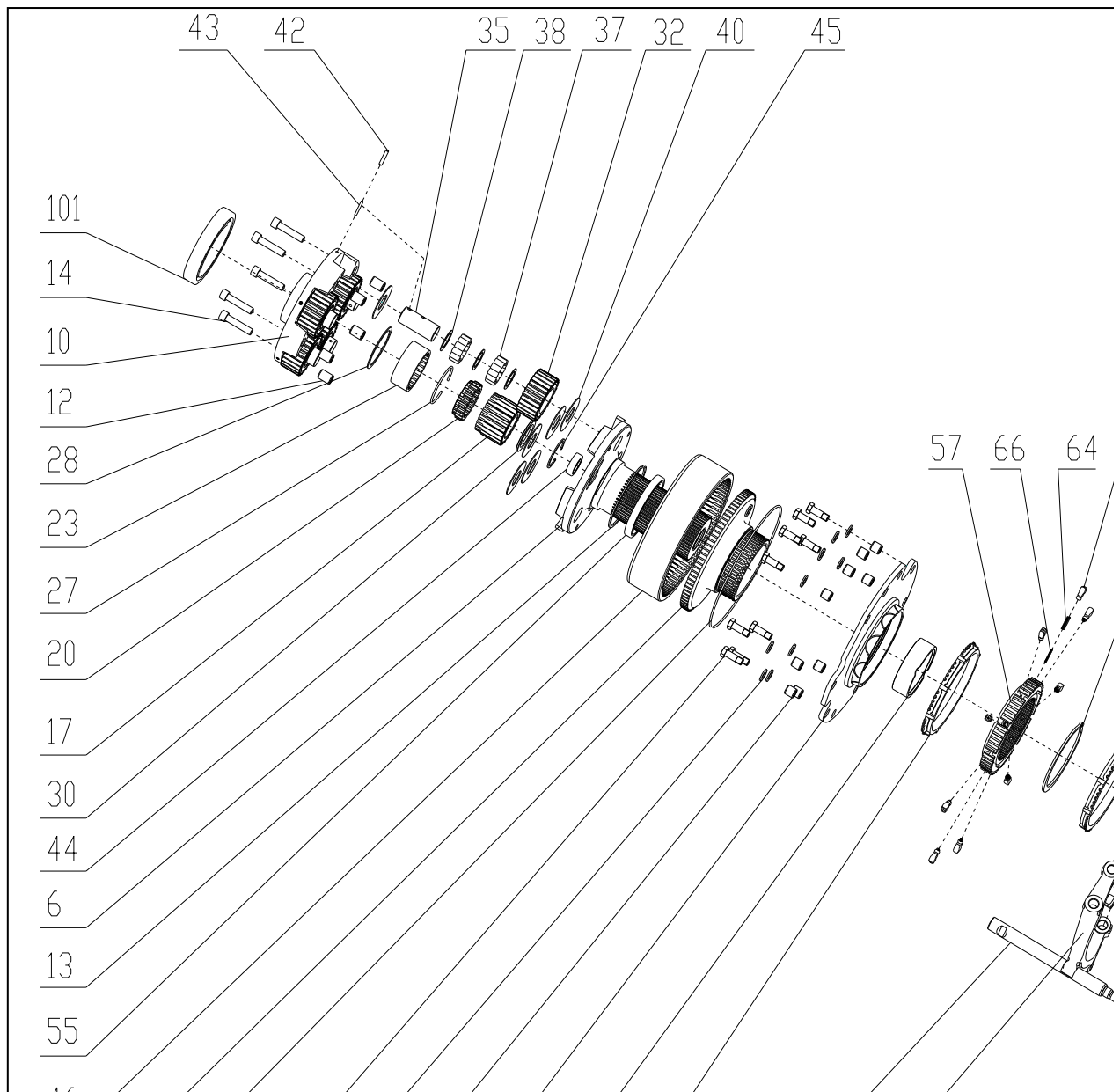
9	Q5280310	2	Flexible cylindrical pin	弹性圆柱销
10	AZ2229040007	2	Hex key	六角键
11	AZ2210040155	1	Spindle five-speed gear	主轴五挡齿轮
13	AZ2210040154	1	Spindle gear Si Dang	主轴四挡齿轮
15	AZ2210040153	1	Spindle three-speed gear	主轴三挡齿轮
17	AZ2210040052	1	Spindle two-speed gear	主轴二挡齿轮
19	AZ2210040051	1	Spindle first gear	主轴一档齿轮
21	AZ2210040050	1	Spindle reverse gear	主轴倒挡齿轮
23	WG2210040210	3	Spindle sleeve	主轴滑套
25	WG2210040211	1	Reverse Slide	倒档滑套
29	WG2229040003	6	Kahuang	卡簧
31	WG2210040012	6	Spline bracket	花键挡片
34	AZ2208040001	1	Spline Tab Groups	花键调整片组
44	AZ2208040002	1	Spindle adjustment Gaskets	主轴调整垫片组

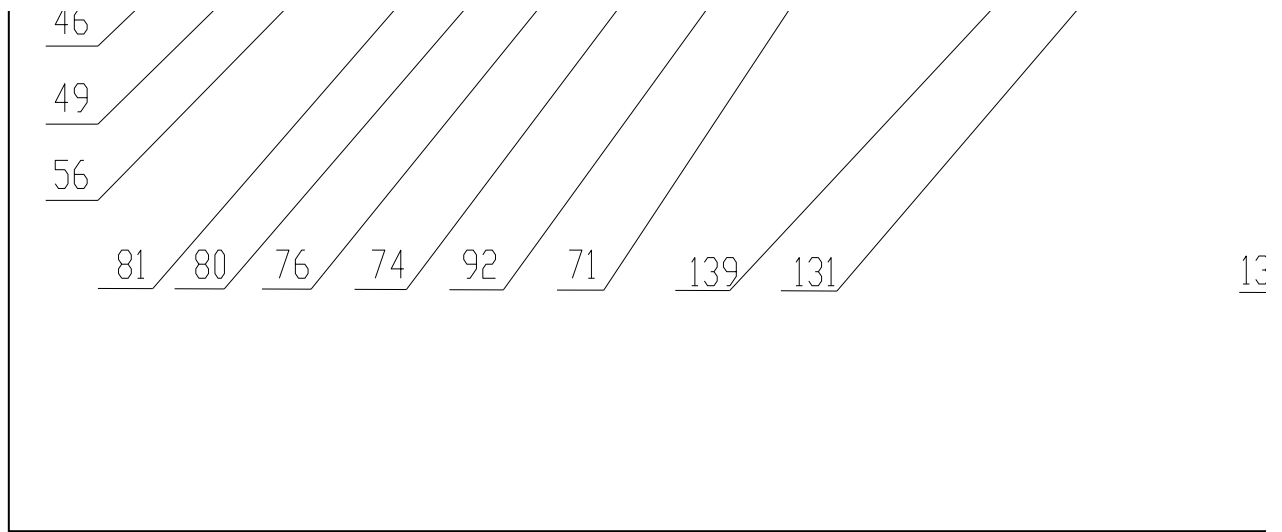
AC22120500101 惰轮轴组件



Pos.	Number of part	Quantity	Standard specification	Designation	名称
1	WG2212050001	1		Idler shaft (left)	惰轮轴 (左)
3	AZ2210050050	2		Idler	惰轮
5	WG2229050001	2		Gasket	垫片
7	AZ9003395320	1		Needle roller bearings K455320	滚针轴承K455320
8	WG2212050002	1		Idler shaft (right)	惰轮轴 (右)
10	AZ2210050050	1		Idler	惰轮
11	WG2229050001	1		Gasket	垫片
13	AZ9003395320	1		Needle roller bearings K455320	滚针轴承K455320

AC22121000101 范围档副箱组件



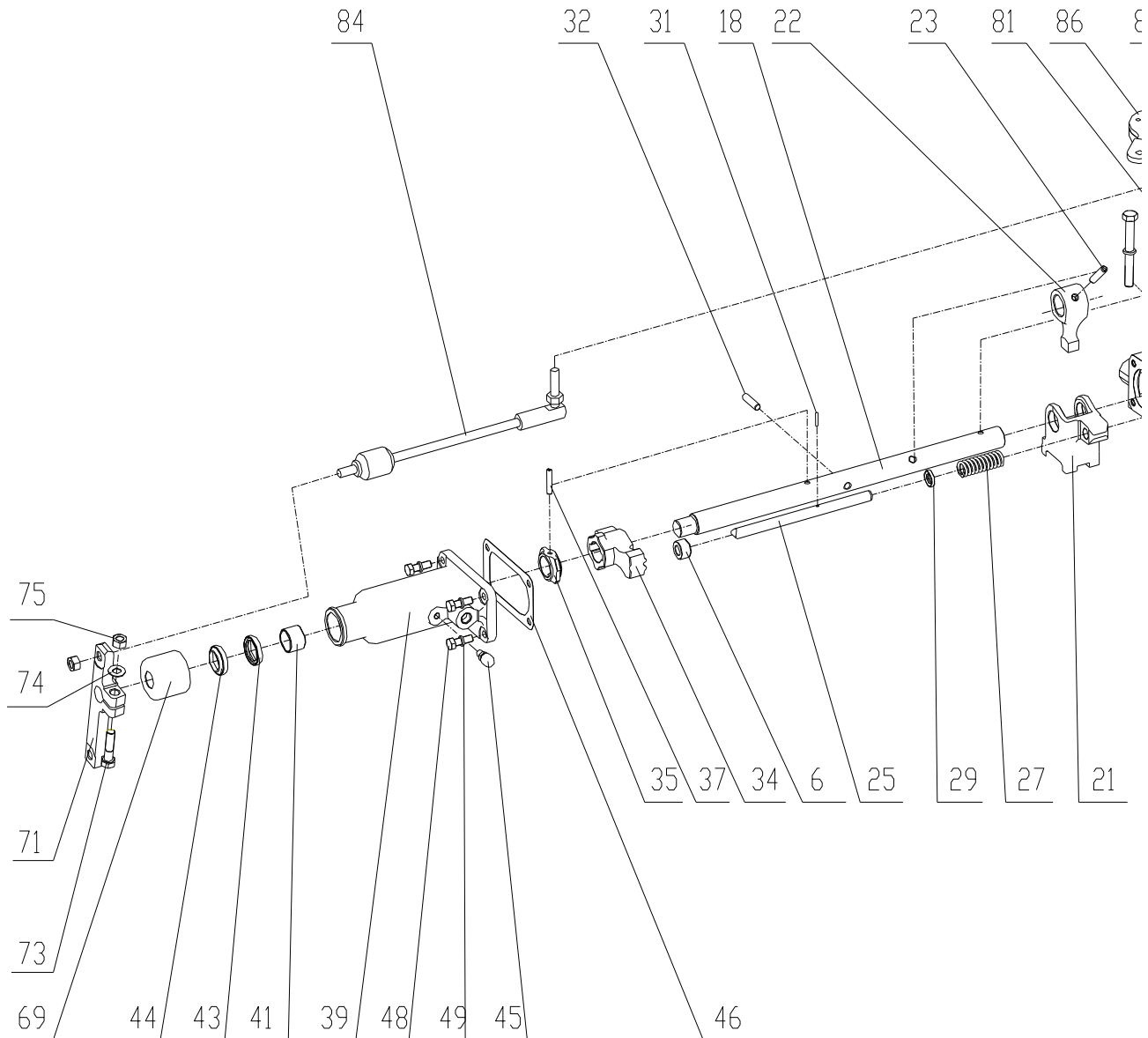


Pos.	Number of part	Quantity	Standard specification	Designation	名称
2	AZ2220100105	1		Transmissio	变速器后壳
6	AZ2225100001	1		Of the outp	输出轴
10	WG2225100002	1		Carrier (pr	行星架(前)
12	WG2229100001	5		Biography t	传扭套
14	AZ9003821255	5		Hexagon soc	内六角圆柱头螺钉M12X1.25
17	WG2210100001	1		The sun whe	太阳轮
20	WG2210100002	1		Splined sle	花键套
23	WG2210100003	1		Transition	过渡套
27	Q43875	1		Hole with w	孔用钢丝挡圈
28	WG2229100005	1		The sun whe	太阳轮垫片(前)
30	WG2229100006	1		The sun whe	太阳轮垫片(后)
32	WG2210100004	5		Planetary g	行星轮
35	WG2212100001	5		Planetary a	行星轮轴
37	AZ9003321118	120		Cylindrical	圆柱滚子11X18IIIb GB4661
38	WG2229100007	15		Roller spac	滚子间隔片
40	WG2229100008	1		Planetary w	行星轮垫片
42	Q5280630	5		Flexible cy	弹性圆柱销
43	Q5280430	5		Flexible cy	弹性圆柱销
44	AZ9003326322	1		Rolling 63/	滚动轴承63/22 GB/T276
45	AZ9003991056	1		Hole circli	孔用弹性挡圈
46	WG2210100005	1		Ring gear	内齿圈
49	WG2210100006	1		Ring stand	齿圈支架
53	WG2229100012	1		Wire ring	钢丝挡圈
55	AZ9003321820	1		Rolling 618	滚动轴承61820 GB/T276
56	AZ9003991125	1		Hole flatte	孔用压扁钢丝挡圈
57	WG2210100007	1		Range of fi	范围档同步齿座
61	AZ9003991130	1		Shaft circl	轴用弹性挡圈
62	WG2229020001	9		Synchronous	同步推块
64	WG2229020002	9		Push the bl	推块外弹簧
66	WG2229020003	9		Push block	推块内弹簧
68	WG2210100008	1		Range gear	范围档同步滑套
71	WG2210100009	1		Range gear	范围档同步环
74	WG2203100005	1		Low cone hu	低档锥毂总成
76	WG2229100002	9		Biography t	传扭套
80	Q40112	9		Washer	平垫圈
81	Q150B1235	9		Hexagon hea	六角头螺栓
90	WG2203100006	1		Upscale con	高档锥毂总成
92	WG2229100032	1		Spacer	隔套

94	WG2203100007	1		Oil ring as	导油环总成
97	AZ9003326218	1		Rolling 621	滚动轴承6218 GB/T276
98	WG2210100015	1		Odometer Wo	里程表蜗杆
101	AZ9003326020	1		Rolling 602	滚动轴承6020 GB/T276
102	AZ2208100003	1		Adjustment	调整垫片组
110	WG2222100001	1		After the o	输出轴后端盖
112	WG2203100009	1		Odometer jo	里程表接头总成
114	WG2229100041	1		After the	输出轴后端盖纸垫
116	AZ9003070800	1		O-ring 18	O形圈18000800 GB3452.1
117	Q150B1055	6		Hexagon h	六角头螺栓
118	Q170B1055	1		Hexagon h	六角头头部带孔螺栓
119	AZ9003801187	1		Hexagon h	六角头螺栓Q1401087
120	Q40310	7		Spring wa	弹簧垫圈
123	WG2210100018	1		Output fl	输出法兰Φ180端面齿
126	AZ9003070105	1		Oil seal	骨架油封PS 105 130 14
127	WG2229100072	1		Platen	压板
129	WG2229100073	1		Bolt	螺栓
131	WG2214100001	1		Ranges fo	范围档拨叉
133	WG2229100042	2		Fork pend	拨叉摆块
135	WG2229100043	2		Fork supp	拨叉支撑销
137	AZ9003990024	2		Wave spri	波形弹性垫圈
139	WG2214100002	1		Range gea	范围档拨叉轴
141	AZ9003072503	1		O-ring 35	O形圈35502500 GB3452.1
142	WG2229100050	1		Range gea	范围挡活塞
144	AZ9003076900	1		O-ring 53	O形圈53006900 GB3452.1
145	AZ9003071700	1		O-ring 26	O形圈26500170 GB3452.1
146	AZ9003870016	1		Hex nut M	六角螺母M16×1.5
147	WG2222100009	1		Range of	范围挡气缸
149	Q150B1065	4		Hexagon h	六角头螺栓
150	Q40310	4		Spring wa	弹簧垫圈
151	WG2229100049	1		Range blo	范围挡气缸纸垫
153	WG2229100047	1		Power tak	取力轴孔盖板
155	WG2229100048	1		Cover gas	盖板衬垫
157	Q150B1216	4		Hexagon h	六角头螺栓
158	Q40312	4		Spring wa	弹簧垫圈
159	AZ9003070800	1		O-ring 18	O形圈18000800 GB3452.1
160	Q150B0820	1		Hexagon h	六角头螺栓
161	AZ2229100075	1		Back hole	回油孔盖板
163	AZ2229100170	1		Main and	主副箱互锁板
164	WG2229100052	1		Lock plat	锁板压板(小)
166	AZ2229100171	1		Lock plat	锁板压板(大,12挡)
167	WG2229100054	1		Platen pa	压板垫块
169	WG2229100175	1		Lock plat	锁板垫板
171	WG2229100056	1		Lock plat	锁板支销
173	WG2229210019	1		Range fil	范围档锁弹簧
175	WG2203100012	1		Spring lo	弹簧定位销总成
177	Q150B1025	5		Hexagon h	六角头螺栓
178	Q150B1020	1		Hexagon h	六角头螺栓
179	Q40310	1		Spring wa	弹簧垫圈
181	WG2229100062	1		Vice tank	副箱纸垫
183	WG2229100061	1		Lifting p	吊装板
185	Q150B1050	16		Hexagon h	六角头螺栓
186	AZ9003801058	2		Hexagon h	六角头螺栓Q150B1058
187	Q150B1060	6		Hexagon h	六角头螺栓

188	Q40310	24		Spring wa	弹簧垫圈
189	WG2229100011	1		Fixing nu	固定螺母
191	WG2229100071	1		Block	堵塞
193	AZ9003073150	1		O-ring 35	O形圈35503150 GB3452.1
194	Q5280514	1		Flexible	弹性圆柱销
195	WG2229100074	1		Locking p	锁片

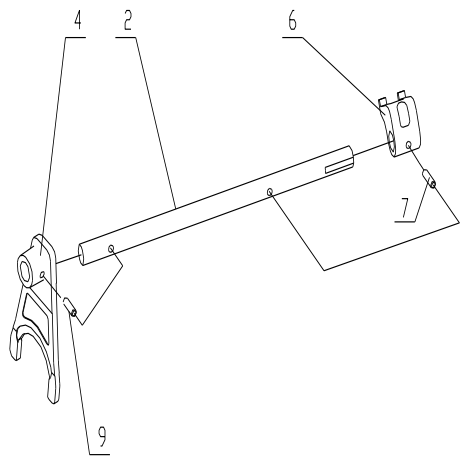
AC22122100101 小盖组件(双杆)



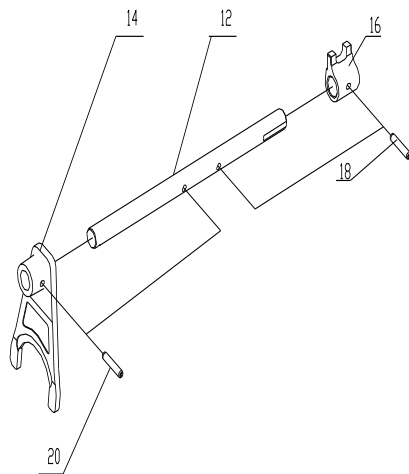
Pos.	Number of part	Quantity	Description	Applicability	Designation
3	AZ2222210014	1			Small cap housing (12 block, double-pole)
4	WG2229002520	1			Composite bushings SF2 25 × 28 × 20
6	WG2229210001	1			Bush

9	WG2229210003	1		Given in the spring (grade side)
11	WG2229210004	1		Given the seat ring
13	WG2229210005	1		Spacer sleeve
15	WG2229210006	1		Set screws
18	AZ2212210009	1		Shift shaft (double pole)
19	AZ2229210060	1		Positioning ring
20	Q5280632	1		Flexible cylindrical pin
21	AZ2214210007	1		Interlock fork
22	AZ2214210008	1		Shift head
23	WG2229210009	1		Pin
25	WG2212210002	1		Self-locking pin
27	WG2229210015	1		Self-locking spring
29	WG2229210011	1		Spring bracket
31	AZ9003343178	1		Needle P3 × 17.8 GB309
32	WG2229210012	1		The drive pin
34	AZ2229210008	1		Self-locking block fan
35	WG2229210014	1		Sensor-driven ring
37	Q5280632	1		Flexible cylindrical pin
39	WG2222210003	1		Small cap cover (double-pole rocker side)
41	WG2229002520	1		Composite bushings SF2 25 × 28 × 20
43	AZ9003072501	1		Cover the seal
44	AZ9003072502	1		Outer seal cover
45	Q901	1		Normally open vent plug
46	WG2229210017	1		Cover gasket
48	Q150B0825	4		Hexagon head bolt
49	Q40308	4		Spring washer
50	WG2229210018	2		Range file locking pin
52	WG2229210020	2		Range file locking spring
54	190003960005	2		Hexagon plug in the cylinder head
55	Q72320	2		Gasket
56	WG2229210004	1		Given the seat ring
58	WG2229210021	1		Given in the spring (low side)
60	WG2229210022	1		Spacer ring
62	WG2229210023	1		Small cap cover (range file locking side)
64	WG2229210024	1		Cover gasket
66	Q150B0820	4		Hexagon head bolt
67	Q40308	4		Spring washer
68	Q72220	1		Bowl plug tablets
69	WG2229210026	1		Dust
71	WG2214210004	1		Rocker
73	Q150B1040TF2	1		Hexagon head bolt
74	Q41810	1		Wave spring washers
75	Q340B10T13F2	1		I type hex nut
76	WG2229210025	1		Small cap pad of paper
78	Q150B1085	4		Hexagon head bolt
79	Q40310	4		Spring washer
81	WG2229270003	1		Select file support shaft
83	Q43112	1		Shaft circlip
84	WG2229210040	1		Selector lever assembly
86	WG2229210041	1		Strut assembly

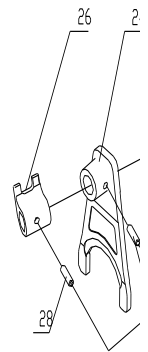
AC22122200101 拨叉轴组件



AZ2203220007 倒档拨叉轴总成



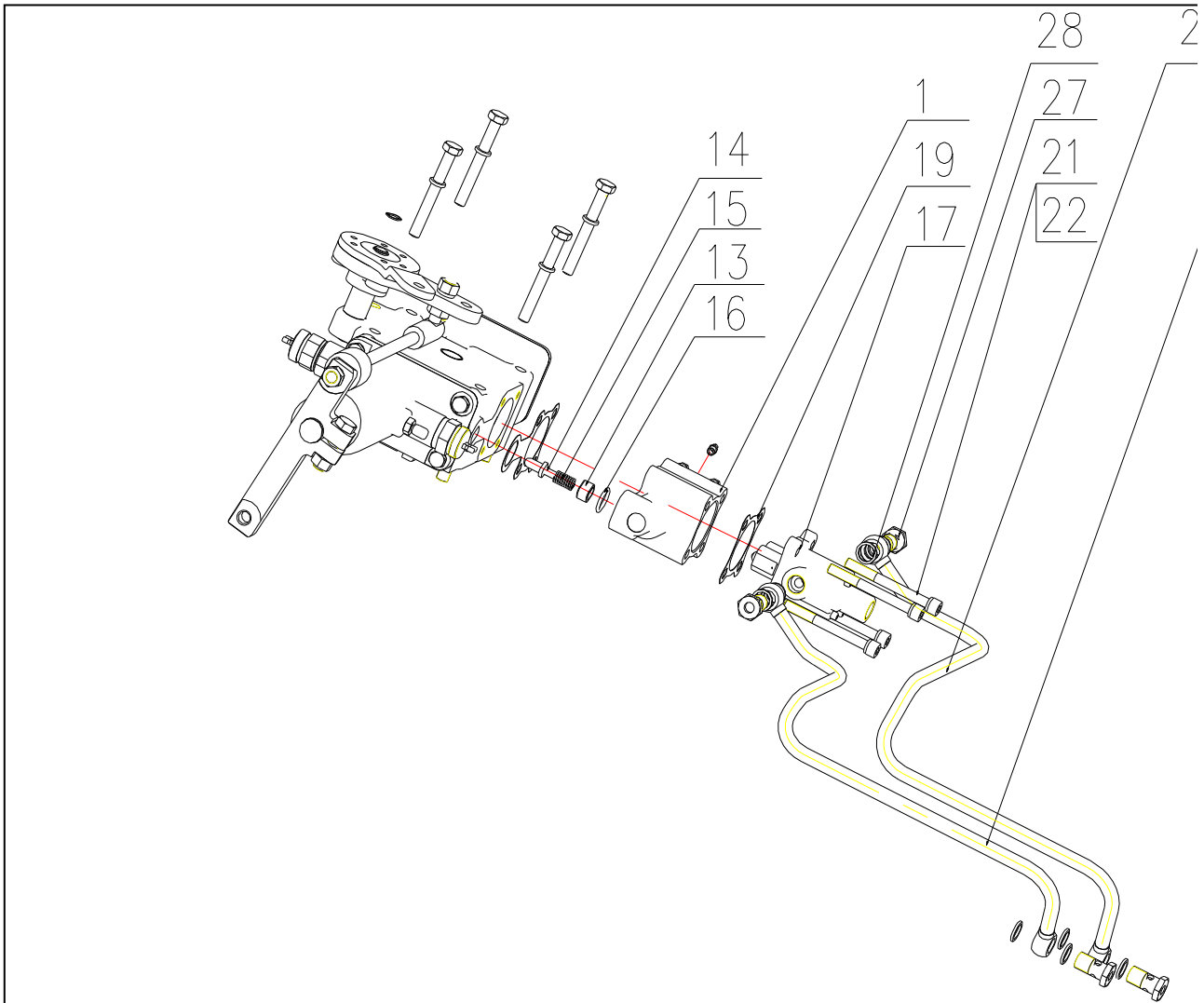
AZ2203220002 一、二档拨叉轴总成



AZ2203220003 三、四档拨叉轴总成

Pos.	Number of part	Quantity	Description	Applicability	Designation
2	WG2212220001		Reverse gear fork shaft		Reverse gear fork shaft
4	WG2214220001		Fork		Fork
6	AZ2214220005		Reversal of the block		Reversal of the block
7	WG2229220002		Pin		Pin
9	WG2229220001		Pin		Pin
12	WG2212220002		One, two shift fork shaft		One, two shift fork shaft
14	WG2214220001		Fork		Fork
16	WG2214220003		Forward gears shifting block		Forward gears shifting block
18	WG2229220002		Pin		Pin
20	WG2229220001		Pin		Pin
23	AZ2212220005		Three, four gear fork shaft	(12 t)	Three, four gear fork shaft (12 t)
24	WG2214220001		Fork		Fork
26	WG2214220003		Forward gears shifting block		Forward gears shifting block
28	WG2229220002		Pin		Pin
30	WG2229220001		Pin		Pin
33	AZ2212220004		Five, six gear fork shaft		Five, six gear fork shaft
34	WG2214220001		Fork		Fork
36	AZ2214220005		Reversal of the block		Reversal of the block
37	WG2229220002		Pin		Pin
39	WG2229220001		Pin		Pin

AC22122500106 气动管路阀组件（12挡）



Pos.	Number of part	Quantity	Standard specification	Designation	名称
1	AZ2203250010	1		Gas control valve assembly lock	气控锁止阀总成
13	AZ2229250017	1		Bush	衬套
14	AZ2229250015	1		The locking pin	锁止销
15	AZ2229250004	1		Spring	弹簧
16	AZ9003071700	1		O-ring 26500170 GB3452.1	O形圈26500170 GB3452.1
17	WG2203250001	1		Double H valve assembly	双H阀总成
19	WG2229250005	2		Double H valve gasket	双H阀衬垫
21	Q218B0880	4		Hexagon socket head cap screws	内六角圆柱头螺钉
22	Q40308	4		Spring washer	弹簧垫圈

23	WG2203250021	1		12 block range block molding hose assembly (low gear)	12挡范围挡成型软管总成(低挡)
25	WG2203250022	1		12 block range block molding hose assembly (high gear)	12挡范围挡成型软管总成(高挡)
27	190003962621	4		Hollow bolt	空心螺栓
28	Q72314	8		Gasket	密封垫圈

备注

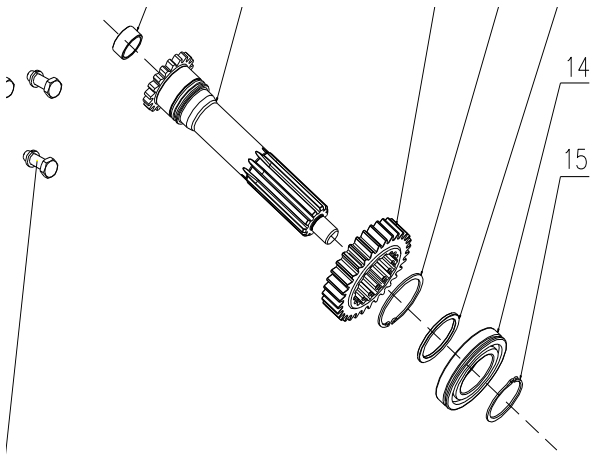
5

3

7

10

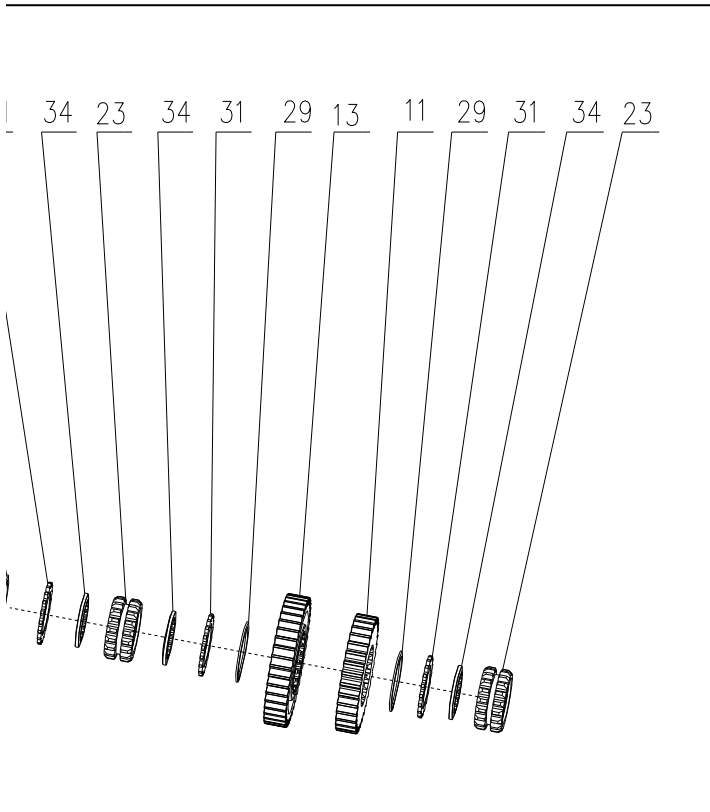
12



备注

按需选用

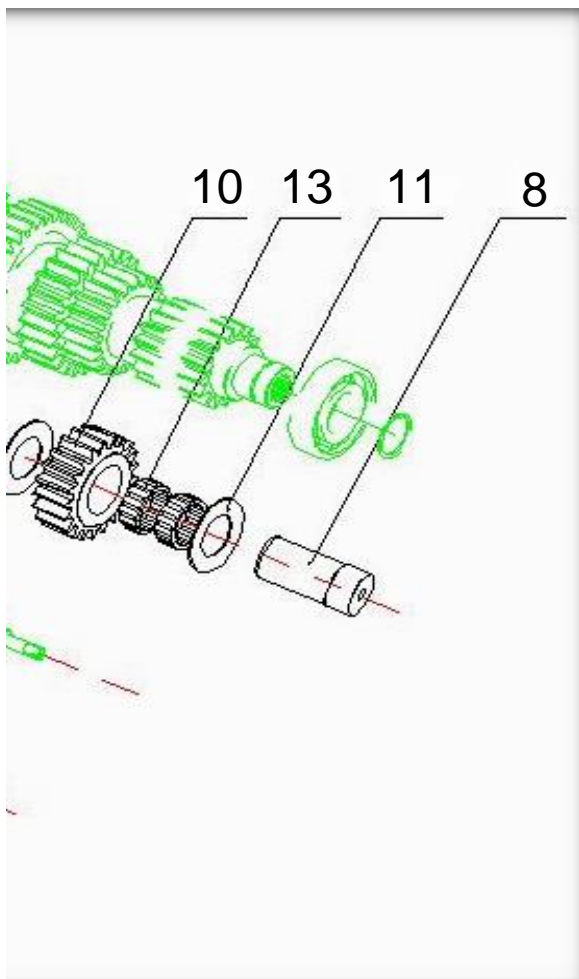
按需选用

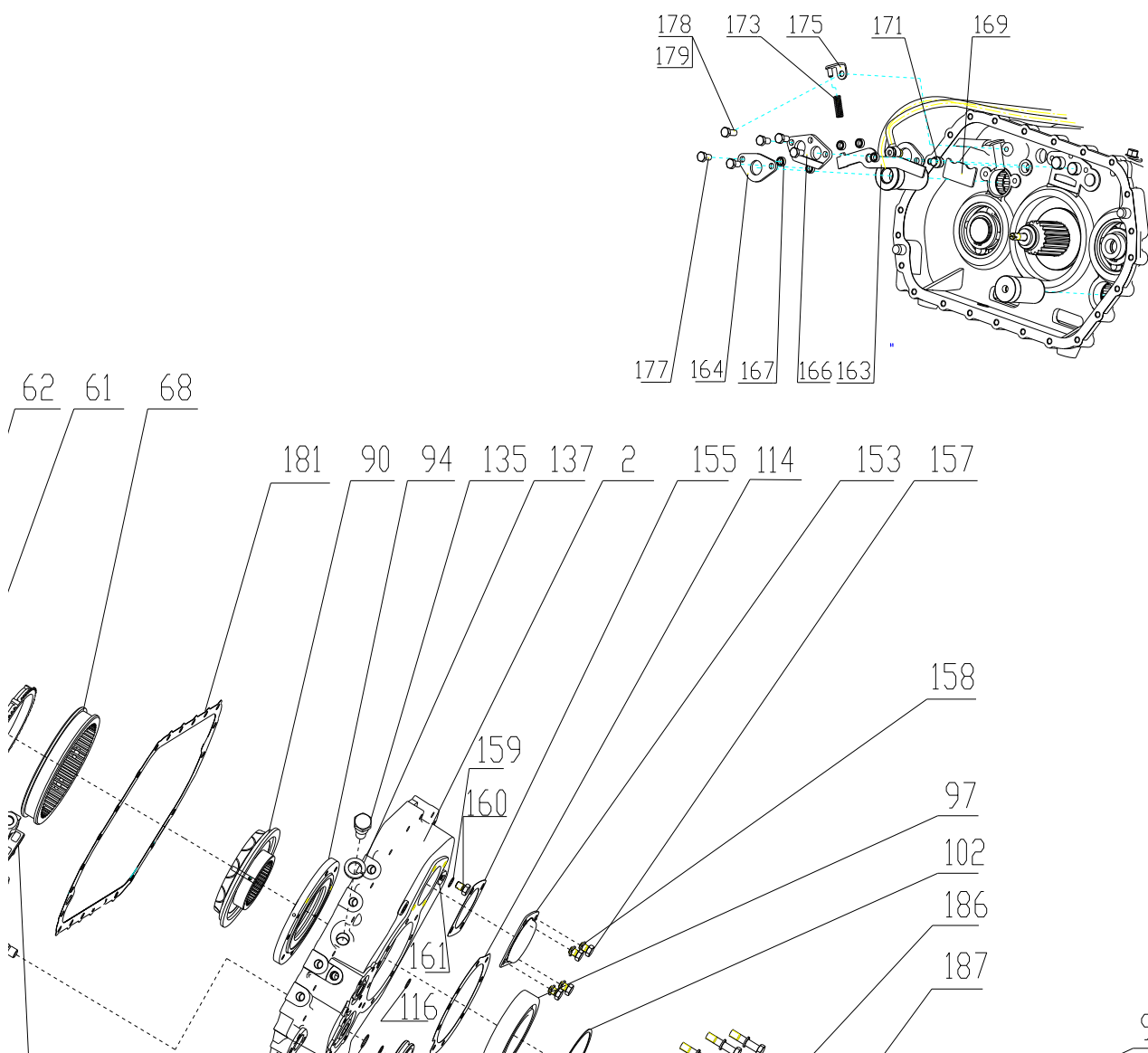


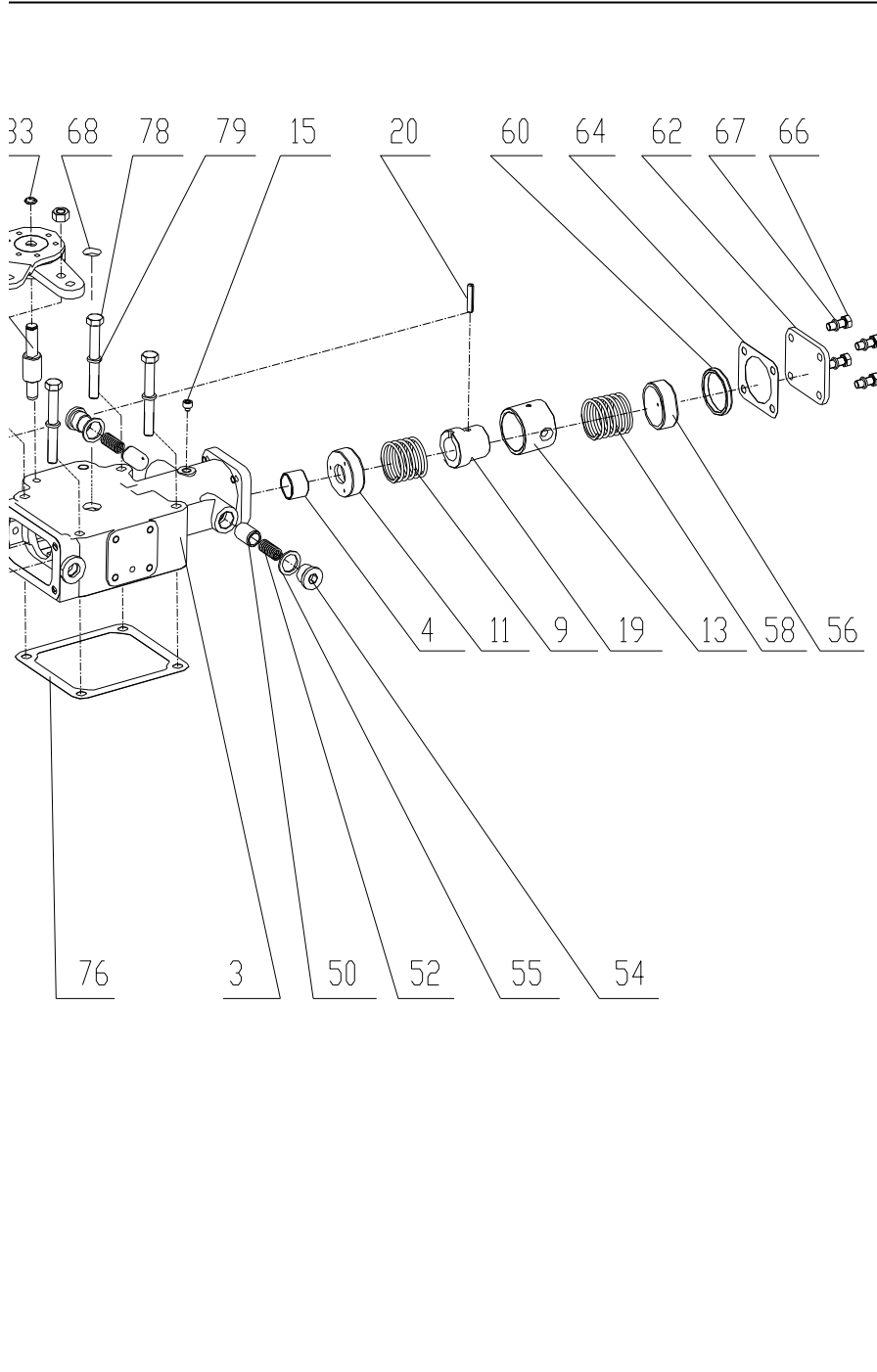
备注

按需选用

按需选用

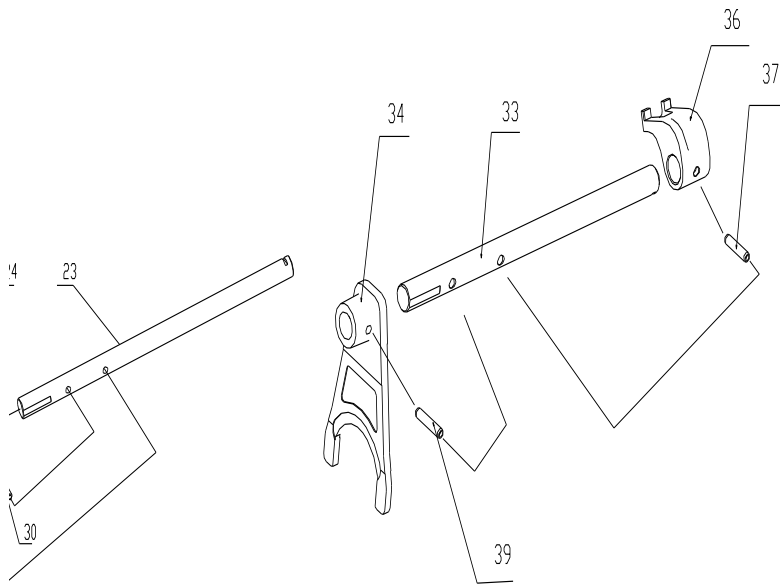






名称	备注	Price
小盖壳体 (12挡, 双杆)		
复合衬套SF2 25×28×20		
衬套		

定中弹簧(高档侧)		
定中座环		
间隔套		
紧定螺钉		
换挡轴(双杆)		
定位环		
弹性圆柱销		
互锁叉		
换挡头		
销		
自锁销轴		
自锁弹簧		
弹簧挡片		
滚针P3×17.8 GB309		
驱动销		
扇形自锁块		
传感器驱动环		
弹性圆柱销		
小盖端盖(双杆摇臂侧)		
复合衬套SF2 25×28×20		
端盖内油封		
端盖外油封		
常开式通气塞		
端盖衬垫		
六角头螺栓		
弹簧垫圈		
范围档锁销		
范围档锁弹簧		
圆柱头内六角螺塞		
密封垫圈		
定中座环		
定中弹簧(低档侧)		
隔环		
小盖端盖(范围档锁侧)		
端盖衬垫		
六角头螺栓		
弹簧垫圈		
碗形塞片		
防尘罩		
摇臂		
六角头螺栓		
波形弹性垫圈		
I型六角螺母		
小盖纸垫		
六角头螺栓		
弹簧垫圈		
选档支撑轴		
轴用弹性挡圈		
选档杆总成		
支撑杆总成		



0008 三、四档拨叉轴总成 AZ2203220009 五、六档拨叉轴
总成

名称	备注	Price
倒挡拨叉轴		
拨叉		
拨块		
销		
销		
一、二挡拨叉轴		
拨叉		
前进挡拨块		
销		
销		
三、四挡拨叉轴(12挡)		
拨叉		
前进挡拨块		
销		
销		
五、六挡拨叉轴		
拨叉		
拨块		
销		
销		

